



WELLS BLOOMFIELD, LLC
10 Sunnen Dr., St. Louis, MO 63143
telephone: 314-678-6314
fax: 314-781-2714
www.wellsbloomfield.com

011C

OWNERS MANUAL

BUILT-IN SINGLE WELL MODULAR WARMERS with THERMOSTAT & DIGITAL ELECTRONIC CONTROL

**MODELS
MOD100T
MOD100TD
MOD100HT
MOD100HTD
MOD127TD**



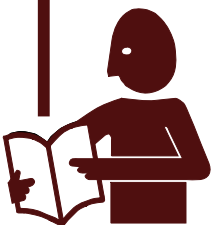
MOD100T

**Includes
INSTALLATION
USE & CARE
EXPLODED VIEW
PARTS LIST
WIRING DIAGRAM**

IMPORTANT: DO NOT DISCARD THIS MANUAL

This manual is considered to be part of the appliance and is to be given to the OWNER or MANAGER of the restaurant, or to the person responsible for TRAINING OPERATORS of this appliance. Additional manuals are available from your WELLS DEALER.

THIS MANUAL MUST BE READ AND UNDERSTOOD BY ALL PERSONS USING OR INSTALLING THIS APPLIANCE. Contact your WELLS DEALER if you have any questions concerning installation, operation or maintenance of this equipment.



LIMITED WARRANTY STATEMENT

Unless otherwise specified, all commercial cooking equipment manufactured by WELLS BLOOMFIELD, LLC is warranted against defects in materials and workmanship for a period of one year from the date of original installation or 18 months from the date of shipment from our factory, whichever comes first, and is for the benefit of the original purchaser only.

THIS WARRANTY IS THE COMPLETE AND ONLY WARRANTY, EXPRESSED OR IMPLIED IN LAW OR IN FACT, INCLUDING BUT NOT LIMITED TO, WARRANTIES OF MERCHANTABILITY OR FITNESS FOR ANY PARTICULAR PURPOSE, AND/OR FOR DIRECT, INDIRECT OR CONSEQUENTIAL DAMAGES IN CONNECTION WITH WELLS BLOOMFIELD PRODUCTS.

This warranty is void if it is determined that, upon inspection by an authorized service agency, the equipment has been modified, misused, misapplied, improperly installed, or damaged in transit or by fire, flood or act of God. It also does not apply if the serial nameplate has been removed, or if service is performed by unauthorized

personnel. The prices charged by Wells Bloomfield for its products are based upon the limitations in this warranty. Seller's obligation under this warranty is limited to the repair of defects without charge by a Wells Bloomfield factory authorized service agency or one of its sub-service agencies. This service will be provided on customer's premises for non-portable models. Portable models (a device with a cord and plug) must be taken or shipped to the closest authorized service agency, transportation charges prepaid, for service. In addition to restrictions contained in this warranty, specific limitations are shown in the Service Policy and Procedure Guide. Wells Bloomfield authorized service agencies are located in principal cities. This warranty is valid in the United States and Canada and void elsewhere. Please consult your classified telephone directory, your foodservice equipment dealer or contact:

Wells Bloomfield, LLC
10 Sunnen Dr., St. Louis MO 63143 USA
phone (314) 781-2777 or fax (314) 781-2714

for information and other details concerning warranty.

SERVICE POLICY AND PROCEDURE GUIDE and ADDITIONAL WARRANTY EXCLUSIONS

1. Resetting of safety thermostats, circuit breakers, over load protectors, and/or fuse replacements are **not** covered by this warranty unless warranted conditions are the cause.
2. All problems due to operation at **voltages or phase other than specified on equipment nameplates** are **not** covered by this warranty. Conversion to correct voltage and/or phase must be the customer's responsibility.
3. All problems due to **electrical connections not made in accordance with electrical code requirements and wiring diagrams** supplied with the equipment are **not** covered by this warranty.
4. Replacement of items **subject to normal wear**, to include such items as knobs, light bulbs; and, normal maintenance functions including adjustments of thermostats, adjustment of micro switches and replacement of fuses and indicating lights are **not** covered by warranty.
5. Damage to electrical cords and/or plug due to exposure to excessive heat are **not** covered by this warranty.
6. Full use, care, and maintenance instructions supplied with each machine. Noted maintenance and preventative maintenance items, such as servicing and cleaning schedules, are customer responsibility. Those miscellaneous adjustments noted are customer responsibility. Proper attention to preventative maintenance and scheduled maintenance procedures will prolong the life of the appliance.
7. Travel mileage is limited to sixty (60) miles from an Authorized Service Agency or one of its sub-service agencies.
8. All labor shall be performed during regular working hours. Overtime premium will be charged to the buyer.
9. All genuine Wells replacement parts are warranted for ninety (90) days from date of purchase on non-warranty equipment. This parts warranty is limited only to replacement of the defective part(s). **Any use of non-genuine Wells parts completely voids any warranty.**
10. Installation, labor, and job check-outs are **not** considered warranty and are thus **not** covered by this warranty.
11. Charges incurred by delays, waiting time or operating restrictions that hinder the service technician's ability to perform service are **not** covered by warranty. This includes institutional and correctional facilities.

SHIPPING DAMAGE CLAIM PROCEDURE

NOTE: For your protection, please note that equipment in this shipment was carefully inspected and packaged by skilled personnel before leaving the factory. Upon acceptance of this shipment, the transportation company assumes full responsibility for its safe delivery.

IF SHIPMENT ARRIVES DAMAGED:

1. **VISIBLE LOSS OR DAMAGE:** Be certain that any visible loss or damage is noted on the freight bill or express receipt, and that the note of loss or damage is signed by the delivery person.
2. **FILE CLAIM FOR DAMAGE IMMEDIATELY:** Regardless of the extent of the damage.

3. **CONCEALED LOSS OR DAMAGE:** if damage is unnoticed until the merchandise is unpacked, notify the transportation company or carrier immediately, and file "CONCEALED DAMAGE" claim with them. This should be done within fifteen (15) days from the date the delivery was made to you. Be sure to retain the container for inspection.

Wells Bloomfield cannot assume liability for damage or loss incurred in transit. We will, however, at your request, supply you with the necessary documents to support your claim.

TABLE OF CONTENTS

| | |
|-----------------------------------|-------|
| WARRANTY | xi |
| FEATURES & OPERATING CONTROLS | 2 |
| PRECAUTIONS & GENERAL INFORMATION | 3 |
| AGENCY LISTING INFORMATION | 3 |
| INSTALLATION | 4 |
| OPERATION | 6 |
| MAINTENANCE INSTRUCTIONS | 7 |
| CLEANING INSTRUCTIONS | 8 |
| TROUBLESHOOTING SUGGESTIONS | 10 |
| EXPLODED VIEW & PARTS LIST | 12-16 |
| WIRING DIAGRAM | 17 |
| PARTS & SERVICE | 20 |
| CUSTOMER SERVICE DATA | 21 |

INTRODUCTION

Thank You for purchasing this Wells Bloomfield appliance.

Proper installation, professional operation and consistent maintenance of this appliance will ensure that it gives you the very best performance and a long, economical service life.

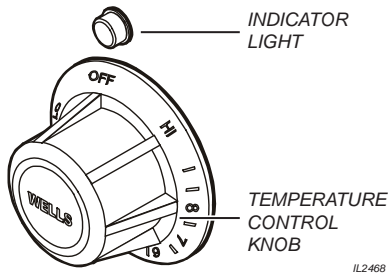
This manual contains the information needed to properly install this appliance, and to use and care for the appliance in a manner which will ensure its optimum performance.

SPECIFICATIONS

| MODEL | VOLTS | AMPS | WATTS | POWER SUPPLY CORD |
|------------------------------|------------|-------|-------|-------------------|
| MOD100T, MOD100TD | 120 VAC 1Ø | 13.8A | 1600W | NOT SUPPLIED |
| | 208 VAC 1Ø | 6.0A | 1240W | |
| | 240 VAC 1Ø | 6.9A | 1600W | |
| MOD127TD | 208 VAC 1Ø | 6.0A | 1240W | NOT SUPPLIED |
| | 240 VAC 1Ø | 6.9A | 1600W | |

FEATURES & OPERATING CONTROLS

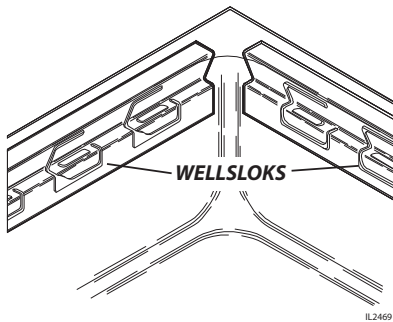
A. THERMOSTAT



1. On thermostatically controlled warmers, power is applied to the heating element according to the control knob position and the actual temperature at the temperature sensing thermobulb.
2. The desired temperature is controlled by rotating the temperature control knob. The knob has a numeric scale, where higher numbers correspond to higher temperature.
3. On warmers equipped with an indicator light, the light will glow when the thermostat is calling for heat (i.e. the element is energized).
4. The TEMPERATURE CONTROL KNOB will rotate approximately 300°, and will reach a “stop” at both ends. The OFF position is marked.

NOTE: The dial position is an indication of the temperature setting. Actual temperature will vary depending upon the type of product and food consistency.

B. MOUNTING



1. MOD-series built-in warmers may be equipped with wellsloks, uniquely designed turnout tabs which help secure the warmer top flange to the countertop.
2. See the Installation Instructions, supplied with the particular appliance, for details.

C. DRAINS

1. Suffix “D” units (e.g. MOD-300TD) have drains for each pan, with each pan having an individual drain valve.

PRECAUTIONS AND GENERAL INFORMATION

This appliance is intended for use in commercial establishments only.

This appliance is intended to hold pre-heated food for human consumption. No other use is recommended or authorized by the manufacturer or its agents.

Operators of this appliance must be familiar with the appliance use, limitations and associated restrictions. Operating instructions must be read and understood by all persons using or installing this appliance.

Cleanliness of this appliance is essential to good sanitation. Read and follow all included cleaning instructions and schedules to ensure the safety of the food product.

Disconnect this appliance from electrical power before performing any maintenance or servicing.

This appliance is not jet stream approved. Do not direct water jet or steam jet at this appliance, or at any control panel or wiring. Do not splash or pour water on, in or over any controls, control panel or wiring.

Exposed surfaces of this appliance can be hot to the touch and may cause burns.

Do not operate this appliance if the control panel is damaged. Call your Authorized Wells Service Agent for service.

The technical content of this manual, including any wiring diagrams, schematics, parts breakdown illustrations and/or adjustment procedures, is intended for use by qualified technical personnel.

Any procedure which requires the use of tools must be performed by a qualified technician.

This manual is considered to be a permanent part of the appliance. This manual and all supplied instructions, diagrams, schematics, parts breakdown illustrations, notices and labels must remain with the appliance if it is sold or moved to another location.

This appliance is made in the USA. Unless otherwise noted, this appliance has American sizes on all hardware.



WARNING: SHOCK HAZARD

All servicing requiring access to non-insulated electrical components must be performed by a factory authorized technician.

DO NOT open any access panel which requires the use of tools. Failure to follow this warning can result in severe electrical shock.



CAUTION: RISK OF DAMAGE

DO NOT connect or energize this appliance until all installation instructions are read and followed. Damage to the appliance may result if these instructions are not followed.



CAUTION: HOT SURFACE

Exposed surfaces can be hot to the touch and may cause burns.

AGENCY LISTING INFORMATION

Refer to the product nameplate for the specific appliance for agency listings. In general:

This appliance conforms to NSF Standard 4 for sanitation only if installed in accordance with the supplied Installation Instructions.

UL Listed warmers are  Listed under UL File E6070.



STD 4



E6070

UL Listed Warmers

INSTALLATION

NOTE: DO NOT discard the carton or other packing materials until you have inspected the appliance for hidden damage and tested it for proper operation.

Refer to *SHIPPING DAMAGE CLAIM PROCEDURE* on the inside front cover of this manual.



WARNING: RISK OF INJURY

Installation procedures must be performed by a qualified technician with full knowledge of all applicable electrical and plumbing codes. Failure can result in personal injury and property damage.



CAUTION FIRE HAZARD

Avoid storing flammable or combustible materials in, on or near the appliance.

IMPORTANT: For warmers installed in plastic counter tops, the counter material must be protected from the heat of the warmer in order to prevent discoloration and/or deterioration. Wellsloks are not suitable for this purpose. The installer should contact the manufacturer or distributor of the countertop material for specific instructions.

IMPORTANT: Wellslok Extension Kits must be used **ONLY** with UL Listed warmers approved for installation in wood counter tops. Refer to the Installation Instructions provided with the warmer.

UNPACKING & INSPECTION

Carefully remove the appliance from the carton. Remove all protective plastic film, packing materials and accessories from the Appliance before connecting electrical power or otherwise performing any installation procedure.

Carefully read all instructions in this manual and the Installation Instruction Sheet packed with the appliance before starting any installation.

Read and understand all labels and diagrams attached to the appliance.

Carefully account for all components and accessories before discarding packing materials. Store all accessories in a convenient place for later use.

INSTALLATION NOTES

1. Installation and start up of built-in warmers **MUST** be performed by an authorized installation company.
2. It is the responsibility of the installer to verify that this warmer installation is in compliance with the specifications listed in this manual and on the specification sheet provided.
3. It is the **RESPONSIBILITY OF THE INSTALLER** to check with the authority having jurisdiction, in order to verify that this warmer installation is in compliance with local code requirements.
4. Water supply and drain installation must meet all applicable local, state and federal plumbing codes and ordinances.
5. Refer to Installation Instructions included with the warmer for Underwriters Laboratories conditions of acceptability, electrical requirements and other installation concerns.

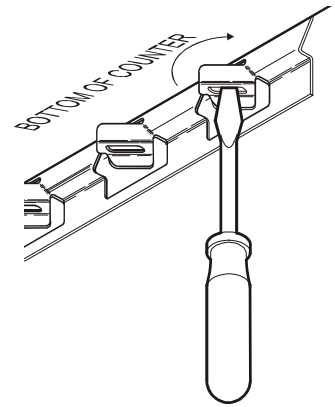
BUILT-IN WARMERS

1. This is a **GENERAL GUIDE**. For specific cutout dimensions and other installation details, refer to the Installation Instructions supplied with the warmer.
2. Cutout dimensions for warmer units and control panels are listed on the Installation Instructions provided with the warmer.

NOTE: Verify the dimensions are correct for the installation before making the cutout.


INSTALLATION

3. For “top-mounted” warmers (i.e. warmers mounted from above the counter top):
 - a. Verify that provided sealants are applied to the underside of the warmer top flange prior to setting the unit into the cutout.
 - b. After installation, verify that the tabs on the Wellsloks are turned out to lock the warmer into the counter
 - c. Apply a thin bead of food-grade silicone sealant around the flange to seal it to the counter.
 - d. Wellslok extension kits are available for installing warmers in counter tops where the standard Wellslok would not normally reach. The extension kit will adapt to counter tops up to 1¾” thick.



NOTE: Damage caused by leaks due to improper installation is NOT covered by warranty.

ELECTRICAL INSTALLATION

1. Refer to the product nameplate. Verify the electrical service power. Voltage and phase must match the nameplate specifications. Wiring the warmer to the wrong voltage can severely damage the unit or cause noticeably decreased performance.
2. Available electrical service amperage must meet or exceed the specifications listed on the specification sheet provided with the warmer.
3. Warmer and control unit must be connected to an appropriate building ground. Ground connection will be marked “GND” or “”.

NOTE: Wire gauge, insulation type and temperature rating, as well as type, size and construction of conduit, must meet or exceed applicable specifications of local codes and of the National Electrical Code.

PLUMBING INSTALLATION

For use in the State of Massachusetts, this appliance must be installed in compliance with **Massachusetts Fuel Gas and Plumbing Code CMR 248**.

1. **IMPORTANT:** All plumbing installations must be performed by a qualified plumber.
2. For units equipped with a DRAIN LINE: Some jurisdictions may require an approved air gap or other back-flow prevention device in the drain. It is the responsibility of the plumber to determine such requirement, to provide and properly install the required device.



**CAUTION:
SHOCK HAZARD**

The ground lug of this appliance must be connected to a suitable building ground.

IMPORTANT:

Contact a licensed electrician to install and connect electrical power to the appliance.

IMPORTANT:

Damage due to being connected to the wrong voltage or phase is NOT covered by warranty.

IMPORTANT: Electrical installation other than as specified on the specification sheet will void the UL listing, and may void the warranty.

NOTE: Plumb connections must be made in compliance with all Federal, State and Local Plumbing Codes and Ordinances.

OPERATION



CAUTION: HOT SURFACE

Exposed surfaces can be hot to the touch and may cause burns.



CAUTION: SHOCK HAZARD

DO NOT splash or pour water onto control panel or wiring.

Always use an inset.

DO NOT place food directly into the warmer.

Always pour hot water into the warmer before it is preheated.

DO NOT pour water into a dry, heated warmer. This may damage the unit.

DO NOT put ice into a warmer pan. This will cause condensation on the inside of the warmer. Damage caused by condensation is **NOT** covered by warranty.

Stir thick food items frequently to keep food heated uniformly.

Keep insets covered to maintain food quality and temperature.

WET OR DRY OPERATION for WARMERS

1. Carefully read the description of the warmer operation on the specification sheet.
2.
 - a. Most warmers are designed for WET OR DRY operation.
 - b. Warmers may be used wet, or may be used dry. However warmers may NOT be used wet-to-dry or dry-to-wet unless they have been allowed to cool to room temperature between the change in wet or dry operation.
 - c. Wells Manufacturing recommends operating WET for consistent food heating.
 - d. If your wet-operation warmer is allowed to run dry, turn it OFF and allow to cool to room temperature before adding water.
3. If the warmer is to be used for WET operation, add approximately 1" of hot tap water before turning the warmer ON. Use of hot water will allow a faster preheat.
 - a. Check the water level frequently and add hot water as necessary to prevent the warmer from running dry. Do not add water to the warmer if it has run dry.
 - b. If your wet-operation warmer is allowed to run dry, turn it OFF and allow to cool to room temperature before adding water.
4. Damage caused by allowing a wet-operation warmer to run dry, is NOT covered by warranty. Damage caused by adding water to a dry warmer when hot is NOT covered by warranty.

PRE-HEATING THE WARMER

1. Place desired pan(s) or inset(s) with appropriate adapter top on warmer.
 - a. Insets are available as accessories in 2½ qt., 4qt., 7 qt., and 11 qt. sizes with lids and adapter tops.
 - b. For dry operation, a 6" deep pan or inset is recommended.
2. Turn temperature control to HI or highest temperature setting.
3. Allow warmer to preheat for approximately 30 minutes, then set the control for the desired temperature. Be sure to keep the warmer covered during preheat and operation.

OPERATION

OPERATION

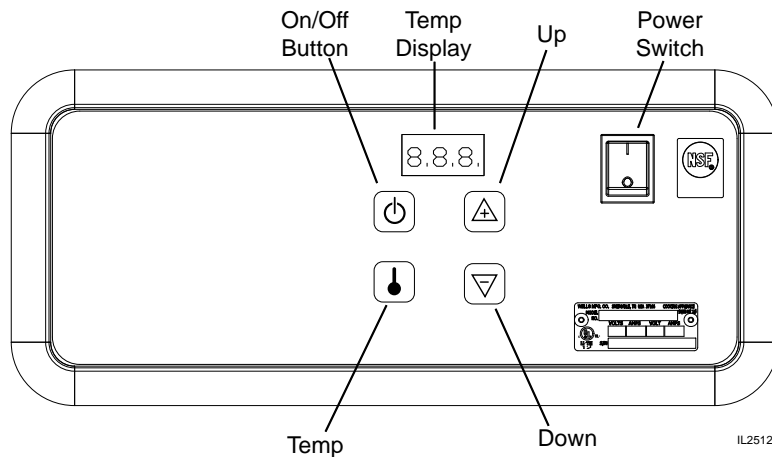
1. Always use an inset. **DO NOT** place food directly into the warmer.
2. Check water level in wet-operation warmer frequently during use. Running warmers dry will lower the temperature of the food in the insert pan, and may damage the warmer.
3. Alternating between wet and dry operation in any individual warmer is not recommended.
4. **DO NOT** use metal tools, steel wool, or caustic or abrasive cleanser to clean warmer pan.

Food temperature will vary from the control set temperature based on the moisture content and consistency of the food product.

E-MOD Control Operation

This control will provide close regulation of the temperature in the basin and give an indication of the air temperature surrounding the food container. The temperature is adjustable from 100° to 200°F. Pressing the ON/OFF button of the temperature control activates the heating circuit. The setpoint is displayed by pressing and holding the TEMP button. Adjust the regulated temperature by pressing the + or – buttons while holding the TEMP button down. The actual basin temperature is displayed when no buttons are pressed and the control is in the ON mode. The dot in the lower corner of the display indicates when the control is calling for heat.

When provided the master power switch controls the heating circuit and the automatic water fill control. Turn “OFF” the power switch when draining or cleaning the unit.



Above: Typical Electronic Controls Unit

MAINTENANCE INSTRUCTIONS

CARE OF STAINLESS STEEL

Stainless steel is a marvelous material: strong, lustrous and low maintenance. With a minimum of care, it will normally retain its beauty and durability for the life of the equipment. In some applications, however, special care is required in order to maintain stainless steel's special properties.

External components, such as cabinets and control panels, are finished with a grain pattern. This pleasing finish is best maintained by cleaning with a non-abrasive cleanser applied with a soft cloth. Rub only in the direction of the grain. In the absence of visible grain, rub only along the longest axis of the appliance.

Restore stainless steel's luster by applying a polish specifically made for stainless steel. Spray on, wipe off with a soft cloth, rubbing in the direction of the grain.

Never use metal implements, wire brushes, abrasive scratch pads or steel wool to clean stainless steel.

Warmer pans, insets and other vessels are subject to a harsher environment. Wells Manufacturing uses an very high quality stainless steel (#304DDQ) for our food warmer pans. Even the highest quality stainless steel, however, is mostly iron, and will rust, pit and corrode under the following conditions:

- **Poor Water Quality:** Hard water (water with a high content of dissolved minerals) will leave mineral deposits when allowed to dry. Calcium (lime) can buildup on heated surfaces, even under water. If left unattended, hard water spots and lime buildup can lead to rusting, corrosion and pitting.
- **Contact with Chlorides:** Chlorides (specific compounds of chlorine) are found in food, table salt and many cleansers. Chlorides can attack the surface of stainless steel, resulting in corrosion and pitting.

Keep your stainless steel warmers clean and free from calcium buildup.

Use alkaline, alkaline chlorinated or non-chloride cleanser.

Use citric acid-based cleaners to remove calcium deposits.

For additional information, please read the NAFEM Stainless Steel Equipment and Cleaning Guide. Contact NAFEM at :

North American Association of Food Equipment Manufacturers

401 N. Michigan Avenue

Chicago, Illinois 60611-4267

(312) 644-6610

CLEANING INSTRUCTIONS

DAILY CLEANING INSTRUCTIONS

PREPARATIONS: Turn control knob(s) to OFF. Allow warmer to cool before proceeding.
Remove any insets, pans and/or adapter tops.
Drain or remove water from well if used for wet operation.

FREQUENCY: Minimum - daily.

TOOLS: Mild Detergent
Solution: 10 Parts Warm Water to 4 Parts Vinegar
Plastic Scouring Pad
Clean Cloth or Sponge
Food-Grade Silicone Sealant



**CAUTION:
SHOCK HAZARD**

Do NOT splash or pour water into or over any control panel or wiring.



**CAUTION:
SHOCK HAZARD**

Disconnect warmer from electric power before cleaning



**CAUTION:
BURN HAZARD**

Allow warmer to cool completely before cleaning.

1. Wipe entire unit down using a clean cloth or sponge and mild detergent.
2. Use a plastic scouring pad to remove any hardened food particles or mineral deposits.
IMPORTANT: Do NOT use steel wool for cleaning.
3. Rinse warmer thoroughly with a vinegar and water solution to neutralize all detergent cleanser residue.
4. Inspect warmer flange-to-counter seal. Reseal with food-grade silicone sealant if necessary. Failure to do so may allow grease and water to leak into insulation and heating element, causing a potential fire and/or electric shock hazard.
5. Inspect warmer tank for damage. Damage to the outer body may allow grease and water to leak into insulation and heating element, causing a potential fire and/or electric shock hazard. Contact your Authorized Wells Service Agency to inspect warmer if water or grease contamination is suspected.
6. Close drain valve. Add proper amount of warm water. Turn control knob(s) ON and check for proper operation.

CLEANING INSTRUCTIONS



CAUTION: CHEMICAL BURN HAZARD

Deilimng chemicals may be caustic. Wear appropriate personal protective equipment. Follow cleaner manufacturer's instructions for safest use.

WEEKLY CLEANING INSTRUCTIONS

PREPARATIONS: Remove any insets, pans and/or adapter tops. Drain or remove water from well if used for wet operation.

FREQUENCY: Weekly, or whenever lime or scale is seen accumulating on the sides of the warmer pans.

TOOLS: Commercial Delime Cleaner
Plastic Scouring Pad
Clean Cloth or Sponge

1. Add water to pans until water is at normal operating level (1" - 1 1/2" deep) or covers accumulated scale.
2. Heat water to maximum temperature (190°F or higher).
3. Pour contents of one package of commercial delime cleaner into each warmer pan. Stir to dissolve cleaner. Turn heat control OFF. Cover pans.
4. Allow solution to soak at least one hour, or overnight for heavy scale buildup.
5. Drain hot water from pans. Scrub with a plastic scouring pad. Rinse thoroughly with hot water, then dry.
6. Refill pans with hot tap water and resume operation.
7. Heavy scale buildup may require additional treatments.

TROUBLESHOOTING SUGGESTIONS

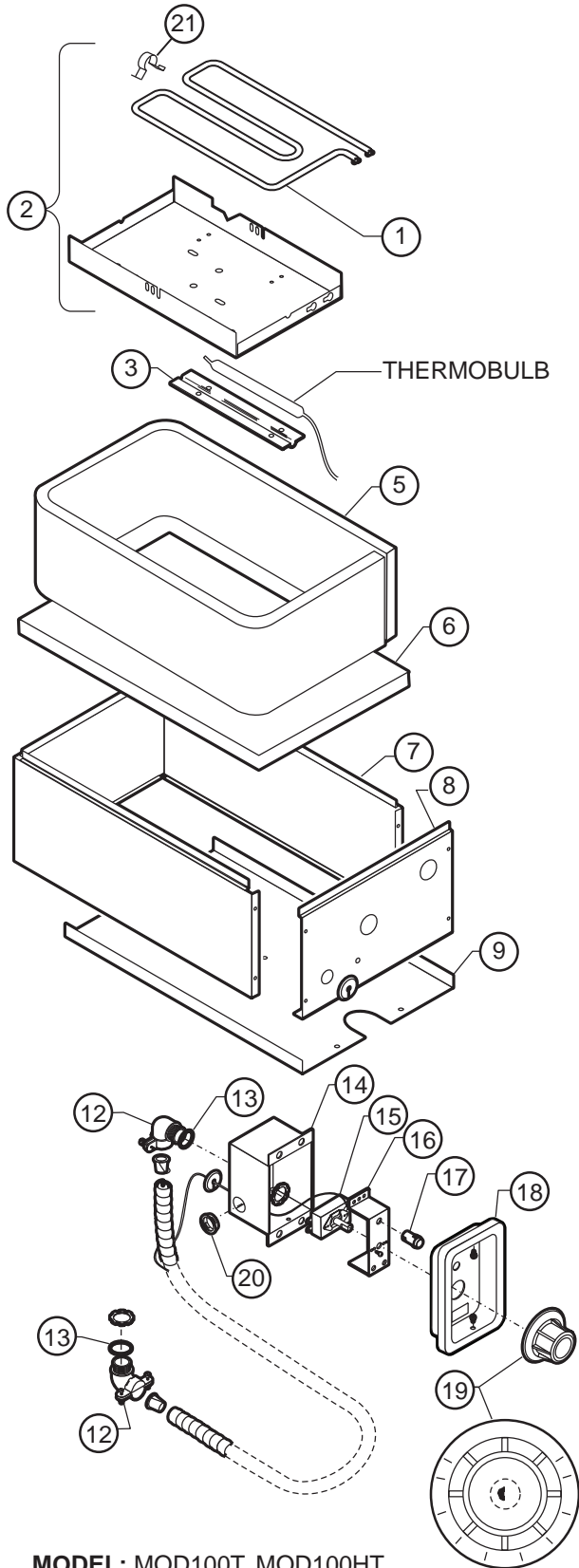
| SYMPTOM | POSSIBLE CAUSE | SUGGESTED REMEDY |
|---|---|--|
| No power to warmer | Circuit breaker off or tripped | Reset circuit breaker |
| Warmer will not heat | Temperature control not set | Set control to desired temperature |
| Warmer trips circuit breaker | Wet insulation | Verify flange-to counter seal is sound, or reseal with food-grade silicone sealant |
| | Pan leaking or other internal damage | Contact your Authorized Wells Service Agency for repairs |
| | Internal damage | Contact your Authorized Wells Service Agency for repairs |
| Warmer slow to heat | Mineral deposits on pan acting as a insulator | Clean pan(s) with delime cleaner |
| | Wired to wrong voltage | Verify supply voltage - must match voltage on warmer nameplate |
| Drain-equipped unit will not hold water | Drain valve not fully closed | Check drain valve for debris and close fully |
| | Drain valve damaged or pan(s) leaking | Contact your Authorized Wells Service Agency for repairs |

There are no user-serviceable components in this appliance.

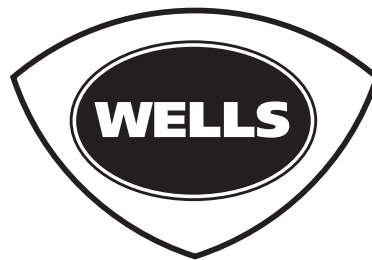
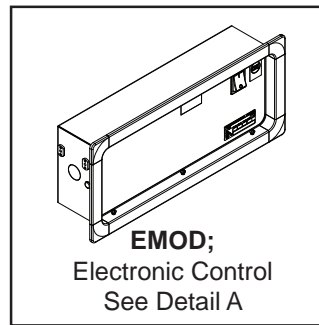
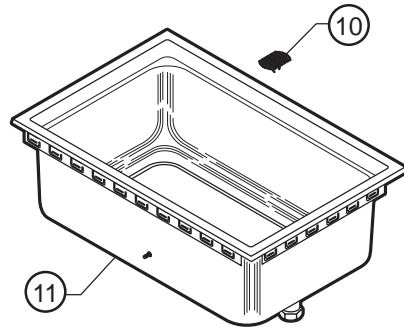
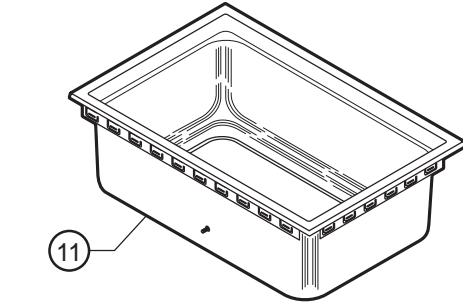
In all instances of damage or malfunction, contact your Authorized Wells Service Agency for repairs.

EXPLODED VIEW

M100T, M100TD, M100HT, M100HTD, & EMOD UNITS



MODEL: MOD100T, MOD100HT



IL1905, Rev B

2M-308017-011C Built-In Single Well Modular Warmer w/T-Stat Control

PARTS LIST

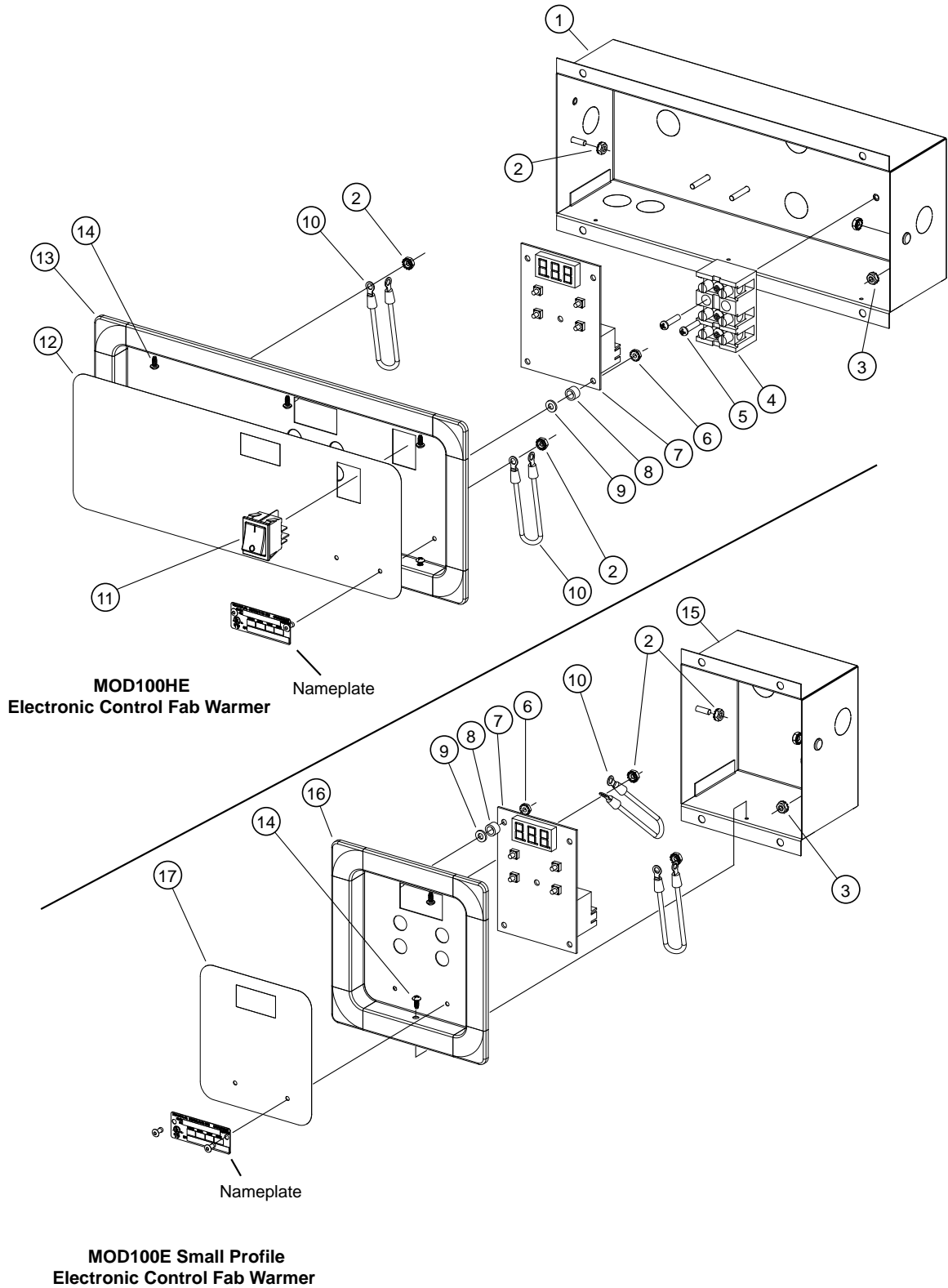
MOD-100T, MOD-100TD, MOD100HT, MOD100HTD

| Fig No | Part No | Qty | Description | Application |
|--------|-------------|------|--|---|
| 1 | 2N-300166UL | 1 | ELEM 208V 1650W MODS | MOD100HTD208 |
| | 2N-303375UL | | ELEM HEATING 208/240V 1650W (Dual Voltage) | MOD100T, MOD100TD, MOD100T6, MOD100TD6, MOD100HT |
| | 2N-46660UL | | ELEM 240V 1200W LLW-1220 | MOD100HTD |
| | 2N-46681UL | | ELEM 120V 1650W SMPT | MOD100T-120V, MOD100T6-120V, MOD100TD-120, MOD100TD6120 |
| 2 | P2-WL0071 | 1 | PAN ELEM ASSY MOD100T 208 | MOD100T, MOD100T-230, MOD100T6, MOD100TD, MOD100TD-230, MOD100TD6, MOD100TDAF |
| | P2-WL0076 | | PAN ELEM ASSY MOD100HTD | MOD100HTD208 |
| | P2-WL0077 | | PAN ELEM ASSY MOD100HT | MOD100HT, MOD100HT6, MOD100HTW |
| | P2-WL0079 | | PAN ELEM ASSY MOD100HTD | MOD100HTD |
| | P2-WL0080 | | PAN ELEM ASSY MOD100T120V | MOD100T-120, MOD100T6-120, MOD100TD-120, MOD100TD6120 |
| 3 | D8-303352 | 1 | BRKT THERMO BULB | ALL |
| 5 | 2H-36196 | 4.25 | INSUL FG .6 MICRO 1X 45 | ALL |
| 6 | 2H-36050 | 1.75 | INSUL FG .6 MICRO 1X36 | ALL |
| 7 | P2-40628 | 2 | SHROUD SIDE MOD100DT | MOD100HTM MOD100HT6, MOD100HTD, MOD100HTD208 |
| | P2-45066 | 1 | SHROUD WRAP MOD 100 ROHS | MOD100T |
| 8 | P2-45067 | 1 | SHROUD FR MOD 100 ROHS | MOD100T |
| 9 | P2-40629 | 1 | SHROUD BOT MOD100HT | MOD100HT, MOD100HT6, MOD100HTD, MOD100HT208, MOD100HTW |
| | P2-45186 | | SHROUD BOT MOD 100 ROHS | |
| 10 | 5P-21709 | 1 | SCREEN DRAIN WARMERS | ALL |
| 11 | P2-30401 | 1 | PAN W/O DRAIN | MOD100T |
| | P2-30402 | | PAN W/ DRAIN | MOD100TD, MOD100TD-120, MOD100TD6, MOD100TD6120 |
| | P2-44564 | | PAN ASSY SMP TMP MOD100H | MOD100HT, MOD100HT6 |
| | P2-WL0056 | | PAN ASSY W/DRAIN MOD100HTD | MOD100HTD, MOD100HTD208 |
| 12 | 2K-33996X | 2 | FTG FLEX CONDUIT 90X3/8 | ALL |
| | | 3 | | MOD100T-120V |
| 13 | 2I-Z12311 | 2 | GASKET-FIBER WASHER | MOD100T |
| 14 | P2-306959 | 1 | BOX CONTROL MOD100T/WARMER | ALL |
| 15 | 2T-38968 | 1 | THERMO K TYPE SS206ET R | MOD100T, MOD100TD, MOD100HT, MOD100HTD, MOD100HTW |
| | 2T-46551 | | THERMO CTRL 96IN CAP RO | MOD100T6, MOD100T6-120V, MOD100TD6120, MOD100HT6 |
| 16 | P2-40843 | 1 | BRKT MTG THERMO INFINITE | MOD100T |
| 17 | 2J-35687 | 1 | LIGHT SIGNAL GLO DOT W#8 | ALL |
| 18 | I7-Z12221 | 1 | PANEL, FRONT | MOD100T |
| 19 | 2R-40498 | 1 | KNOB ASSY MOD 100DT | MOD100T, MOD100T-120V |
| 20 | 2K-31040 | 1 | BUSHING HEYCO 7/8 O.D. | ALL |
| 21 | 2C-30397 | 4 | CLIP ELEM M P | ALL |

2M-308017-011C Built-In Single Well Modular Warmer w/T-Stat Control

EXPLODED VIEW: Detail A

M100HE, M100HCE, M100HE6, M100HCE6, M100HED, M100HCED, M100HEAF



2M-308017-011C Built-In Single Well Modular Warmer w/T-Stat Control

IL2513, Rev. -, 8/1/12

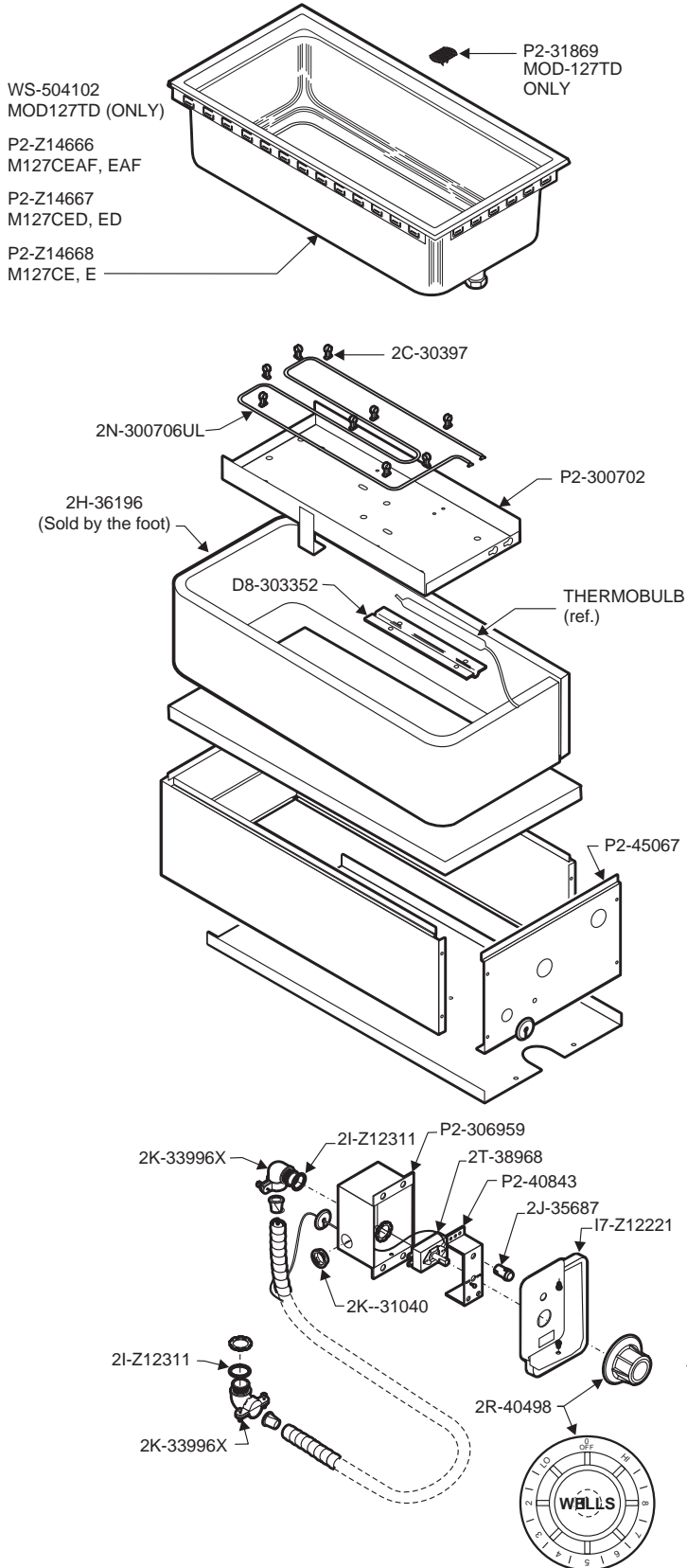
PARTS LIST: Detail A

| Detail A: EMOD Control Box Assy | | | | |
|---------------------------------|-------------|---------------------------|-----|-------------------|
| Fig No | Part No | Description | Qty | Application |
| 1 | P2-Z14490 | CONTROL BOX WELD - SMALL | 1 | |
| 2 | 2C-31053 | NUT 8-32 KEPS MS NICKEL | 4 | |
| 3 | 2C-35736 | NUT 8-32 HEX KEPS MS GREE | 1 | |
| 4 | 2E-37465 | TERM BLOCK 3POLE 85AMP | 1 | |
| 5 | 2C-1496 | SCREW 8-32X3/4 RHP STL NP | 2 | |
| 6 | 2C-Z2594 | NUT 6-32 HEX W STL NP | 4 | |
| 7 | 2E-Z14534 | CONTROLLER, TEMP 208/240V | 1 | 208/230/240V |
| | 2E-Z14528 | CONTROLLER, TEMP 120V | | 120V |
| 8 | 2K-Z1971 | SPACER .257X.75X.25 NYLON | 4 | |
| 9 | 2C-200110 | WASHER, #8 FLAT 18-8 SS | 4 | |
| 10 | 2E-130601 | WIRE ASSY 14GA GREEN 8" | 2 | |
| 11 | 2E-Z1858 | SWITCH-LIGHTED | 1 | |
| | 2E-Z3156 | SW DPST 20A/125V ORG LGHT | | M100ED-230CE |
| 12 | 2M-Z14491 | GRAPHIC M100/127E | 1 | |
| 13 | P2-Z14489 | CONTROL PANEL M100/127E | 1 | |
| 13 | P2-Z15013 | CONT PANEL M100/127E | 1 | |
| 14 | 2C-33935 | SCREW 6ABX5/16 PH PAN SMS | 6 | |
| 15 | P2-Z15012 | CONTROL BOX M100/127E | 1 | |
| 16 | P2-Z15013 | CONT PANEL M100/127E | 1 | |
| 17 | 2M-Z15026 | GRAPHIC M100/127 E/ED | 1 | |
| NI | 2E-306865 | CONTROL LIQ LEVEL 208/240 | 1 | Auto-Fill |
| NI | 2E-46529 | SOLENOID VALVE 1/4NPT 240 | 1 | Auto-Fill |
| NI | 2E-200372 | CORD SET, 12/3 CORD 6-20 | 1 | 208/240V |
| NI | C3-G1204 | CORD SET ASSEMBLY | 1 | 120V |
| NI | 2E-31200-01 | BOX CONNECTOR 3/8 | 1 | M100HCE |
| NI | 2E-Z14534-1 | THERMISTOR 90" RING TERM | 1 | STANDARD MODELS |
| NI | 2E-Z14534-2 | THERMISTOR 120" RING TERM | 1 | 6' CONDUIT MODELS |

2M-308017-011C Built-In Single Well Modular Warmer w/T-Stat Control

EXPLODED VIEW & PARTS LIST

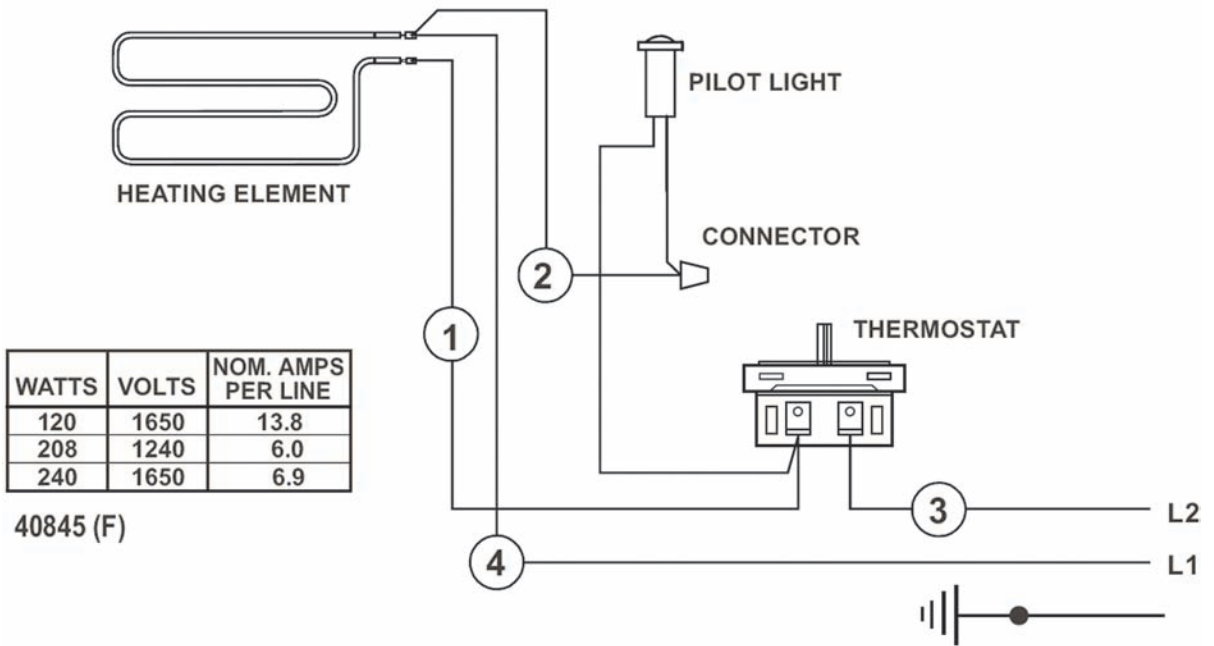
MOD-127TD, M127E, M127CE, M127CEAF, M127EAF



IL2472, Rev. A, 8/8/12

WIRING DIAGRAM

WIRING DIAGRAM FOR MOD100T, 127T 120 OR 208/ 240 VOLTS



2M-308017-011C Built-In Single Well Modular Warmer w/T-Stat Control

NOTES

NOTES

2M-308017-011C Built-In Single Well Modular Warmer w/T-Stat Control

PARTS & SERVICE

Always use an inset.

DO NOT place food directly into the warmer pan.

| DESCRIPTION | PART NO. |
|---|----------|
| ADAPTERS & INSETS | |
| ADAPTER TOP, convert 12" x 20" warmer to hold two 7 qt. insets | WS-21502 |
| ADAPTER TOP, convert 12" x 20" warmer to hold two 4 qt. and two 2½ qt | DD-21503 |
| ADAPTER TOP, convert 12" x 20" warmer to hold three 4 qt. insets | DD-21616 |
| ADAPTER TOP, convert 12" x 20" warmer to hold one 7qt. and one 4 qt. | DD-21618 |
| ADAPTER TOP, convert 12" x 20" warmer to hold four 2½ qt. insets | WS-21623 |
| ADAPTER TOP, convert 12" x 27" SMPT-27 to hold three 7 qt. insets | DD-21503 |
| 4 QT. ROUND INSET w/ lid | WS-20774 |
| 7 QT. ROUND INSET w/ lid | WS-20587 |
| 11 QT. ROUND INSET w/ lid | WS-20908 |
| 11 QT. ROUND INSET w/ hinged lid | WS-21057 |

PARTS & SERVICE

| DESCRIPTION | PART NO. | IMPORTANT: Use only factory authorized service parts and replacement filters. |
|---|-----------|--|
| ACCESSORIES | | |
| WELLSLOK EXTENSION KIT, for UL LISTED circular warmers only, adapt to wood counter up to 1¾" thick | WS-22592* | For factory authorized service, or to order factory authorized replacement parts, contact your Wells authorized service agency, or call: |
| WELLSLOK EXTENSION KIT, for UL LISTED 12" x 20" warmers only, adapt to wood counter up to 1¾" thick | 5P-22593* | Wells Bloomfield, LLC 10 Sunnen Dr., St. Louis MO 63143 USA |
| * Wellslok Extension Kits for UL Listed units approved for installation in wood counter tops One well units require one kit / Two and three well units require two kits / four and five well units require three kits | | |
| DRAIN VALVE EXTENSION KIT, extension from drain to counter front with remote handle, for use with "D" models only, excluding "DM" models | WS-20385 | Service Dept. phone: (314) 678-6314 fax: (314) 781-2714 |
| DRAIN SCREEN | P2-31869 | |
| OPTIONAL 72" WIRING, thermostatically controlled warmers** **contact factory customer service for availability | | Service Parts Department can supply you with the name and telephone number of the WELLS AUTHORIZED SERVICE AGENCY nearest you. |

CUSTOMER SERVICE DATA

please have this information available if calling for service

RESTAURANT _____ LOCATION _____
 INSTALLATION DATE _____ TECHNICIAN _____
 SERVICE COMPANY _____
 ADDRESS _____ STATE _____ ZIP _____
 TELEPHONE NUMBER (____) _____ - _____
 EQUIPMENT MODEL NO. _____
 EQUIPMENT SERIAL NO. _____
 VOLTAGE: (check one) 120 208 240



Wells Bloomfield proudly supports CFESA
Commercial Food Equipment Service Association

SERVICE TRAINING - QUALITY SERVICE



CUSTOMER SATISFACTION



WELLS BLOOMFIELD, LLC
10 Sunnen Dr., St. Louis, MO 63143
telephone: 314-678-6314
fax: 314-781-2714
www.wellsbloomfield.com