

User's Guide

Prodigi™ Stands



EN

MN-48177
Rev 4
11/2023

Manufacturer's Information

Copyright

© Copyright 11/2023 by Alto-Shaam, Inc.

All rights reserved.

This manual or any portion thereof may not be reproduced or used in any manner whatsoever without the express written permission of Alto-Shaam, Inc.

Trademarks

All trademarks referenced in this documentation are the property of their respective owners.

Manufacturer

Alto-Shaam, Inc.

P.O. Box 450

W164 N9221 Water Street

Menomonee Falls, WI 53052

Original instructions

The content in this manual is written in American English.

Updates

The information in this Guide was current at the time of publication. Scan or click the QR code below, or visit www.alto-shaam.com/en/products/combi-ovens for the latest version.



Contents

Top Units	4
Bottom Units.....	5
Combinations—6-10E/G or 10-10E/G on Stands.....	7
Combinations—7-20E/G or 10-20E/G on Stands	10
Combinations—6-10E or 10-10E with Ventech™ Hoods on Stands.....	13
Combinations—7-20E or 10-20E with Ventech™ Hoods on Stands.....	16
Stand Details.....	19

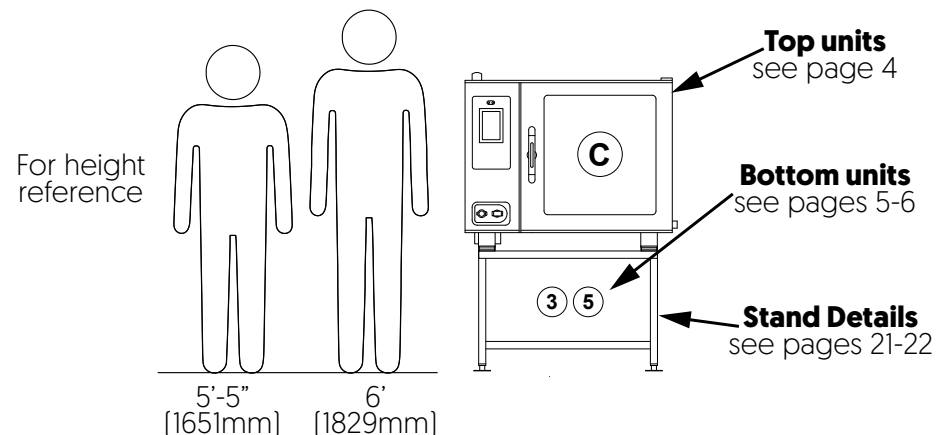
How To Use This Guide

The stands in this guide are designed to accommodate Alto-Shaam Prodigy™ ovens alone, or with other Alto-Shaam equipment below. Follow the steps below to choose a compatible stand for your application.





1. Select the desired Prodigy oven from the options shown on page 4. Each top unit is assigned a letter.
2. Select the bottom equipment (if desired) from the options shown on pages 5–6. Each bottom unit is assigned a number.
3. Beginning on page 7, identify compatible stands by matching letter/number combinations with those of your desired equipment. Stands are organized by Prodigy oven size. Pages 14–20 depict electric ovens with Ventech™ hoods.

Note: A slash symbol [Ø] indicates a stand cannot accommodate a bottom unit.

Human figures are provided next to each combination to give a sense of the overall height of the oven on the stand. Detailed dimensional views of each stand can be found on pages 21–22.





Top Units



Letter	Image	Model	Description
A		Prodigy 6-10E/G	Combi Oven Electric or Gas
B		Prodigy 7-20E/G	Combi Oven Electric or Gas
C		Prodigy 10-10E/G	Combi Oven Electric or Gas
D		Prodigy 10-20E/G	Combi Oven Electric or Gas

Bottom Units

Note: Bottom units placed on lower shelves must not be equipped with casters.

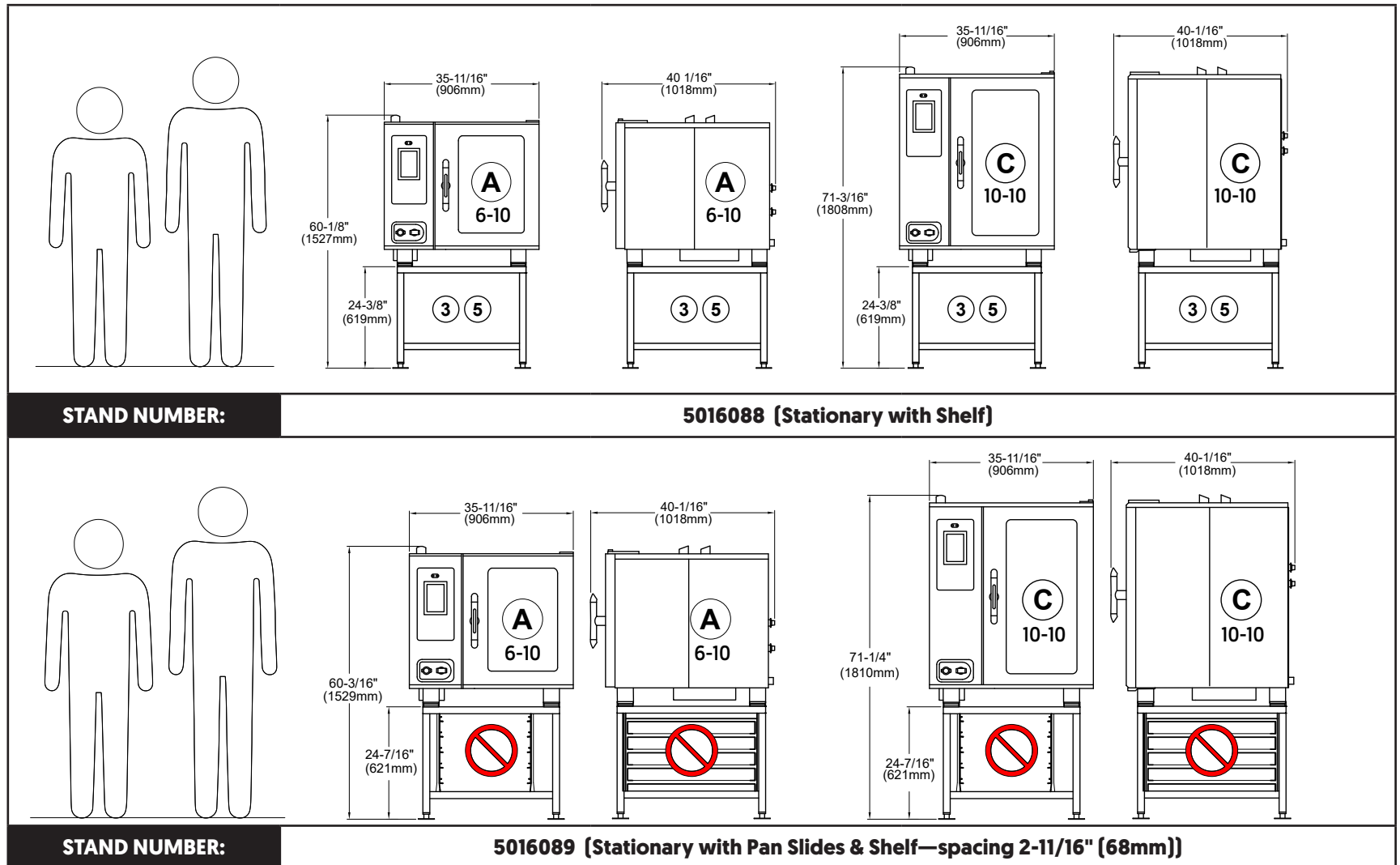
Number	Image	Model	Description
1		500-S	Low-Temperature Holding Cabinet
2		750-S	Low-Temperature Holding Cabinet
3		500-1D	Single-Drawer Drawer Warmer
4		500-3D	Three-Drawer Drawer Warmer

Bottom Units [continued]**Note:** *Bottom units placed on lower shelves must not be equipped with casters.*

Number	Image	Model	Description
5		500-1DN	Single-Drawer Drawer Warmer, Narrow
6		500-3DN	Single-Drawer Drawer Warmer, Narrow

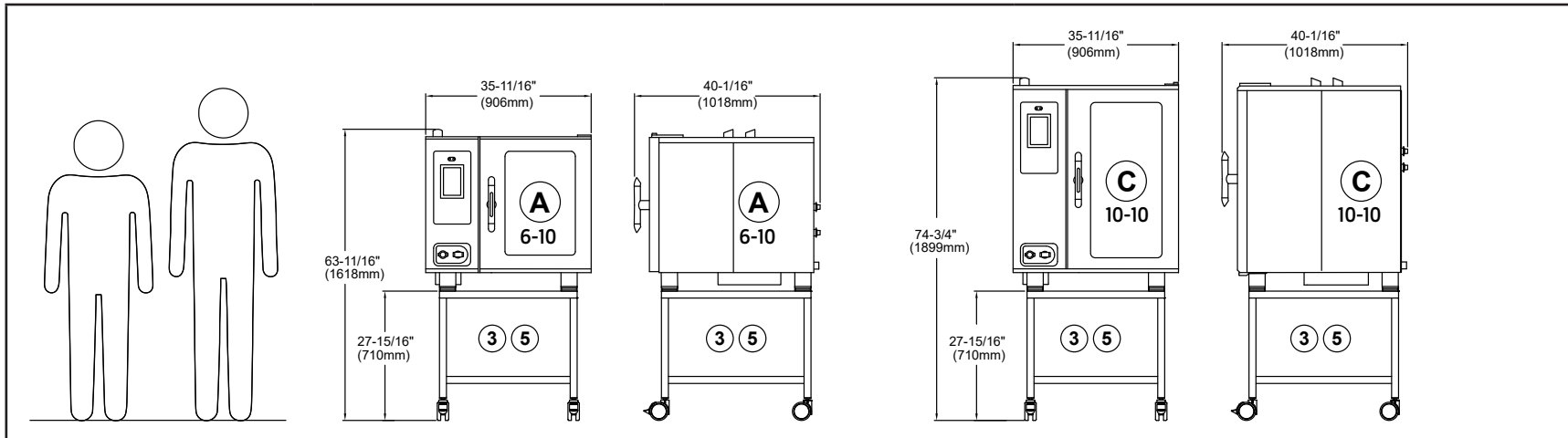
Combinations—6-10E/G or 10-10E/G Stands

Note: The human figures at left are provided for general height reference. They are depicted as 5'-5" [1651mm] and 6' [1829mm] tall.



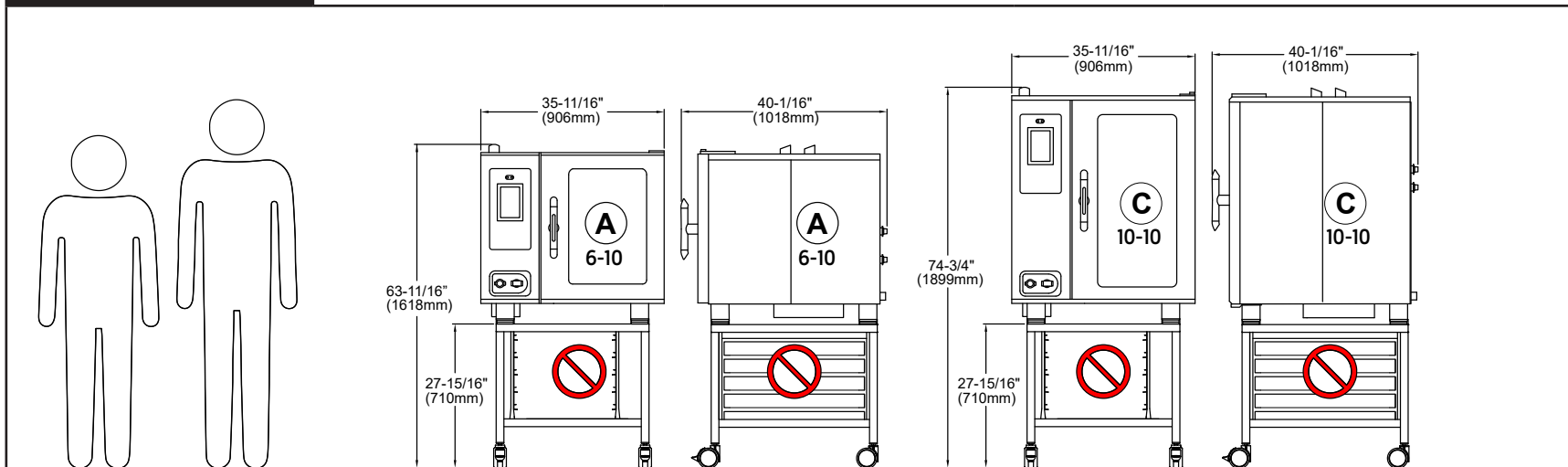
Combinations—6-10E/G or 10-10E/G Stands [continued]

Note: The human figures at left are provided for general height reference. They are depicted as 5'-5" (1651mm) and 6' (1829mm) tall.



STAND NUMBER:

5016090 (Mobile with Shelf)

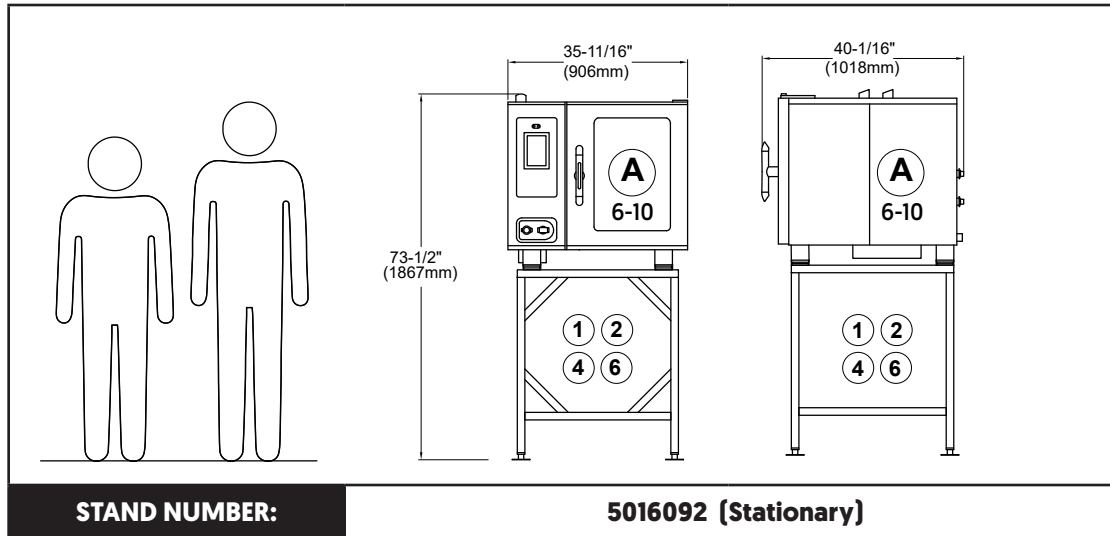


STAND NUMBER:

5016091 (Mobile with Pan Slides and Shelf)

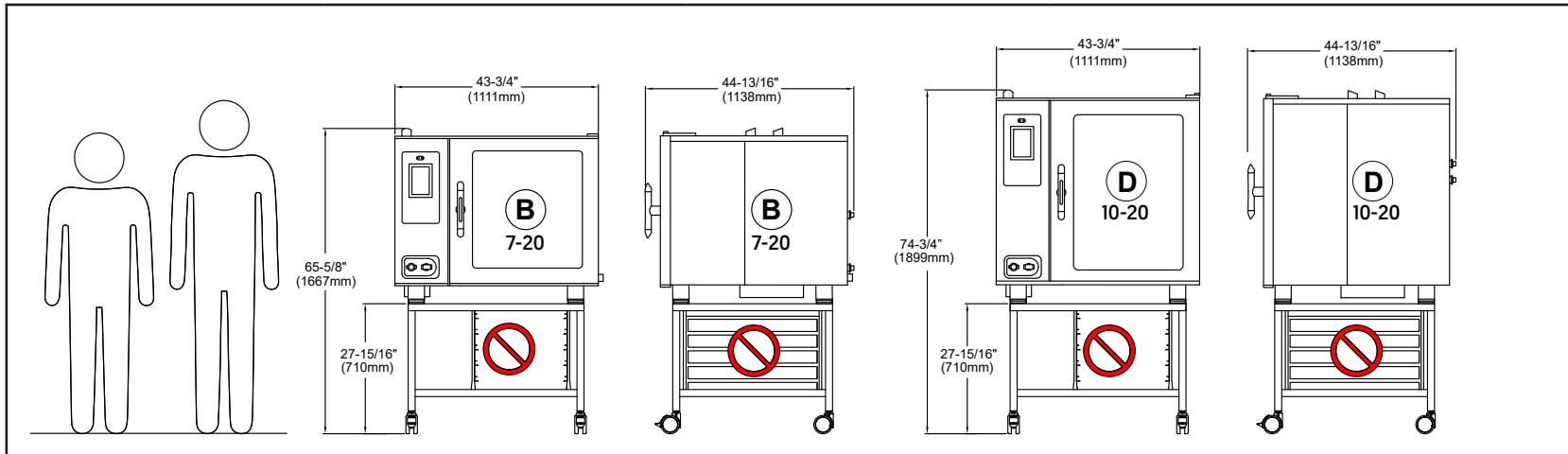
Combinations—6-10E/G Stand

Note: The human figures at left are provided for general height reference. They are depicted as 5'-5" [1651mm] and 6' [1829mm] tall.



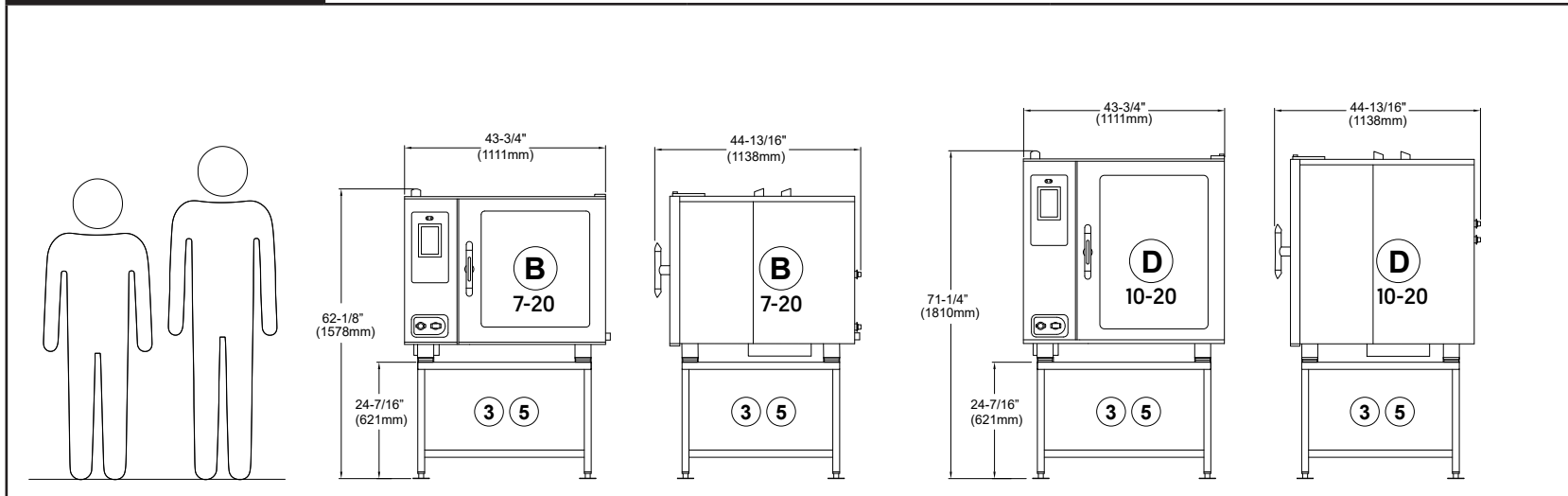
Combinations—7-20E/G or 10-20E/G Stands

Note: The human figures at left are provided for general height reference. They are depicted as 5'-5" (1651mm) and 6' (1829mm) tall.



STAND NUMBER:

5015711 (Mobile with Pan Slides and Shelf)

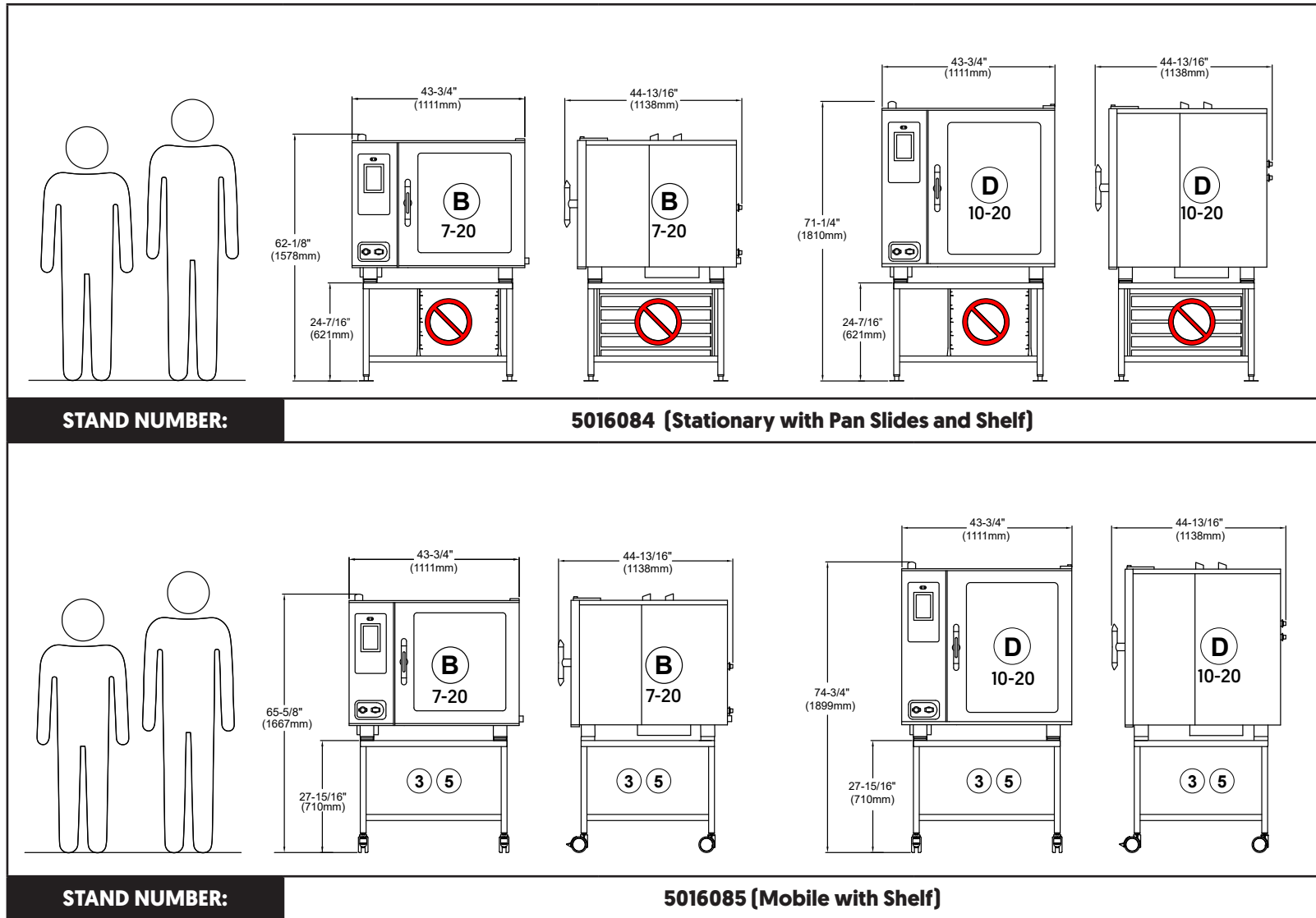


STAND NUMBER:

5016083 (Stationary with Shelf)

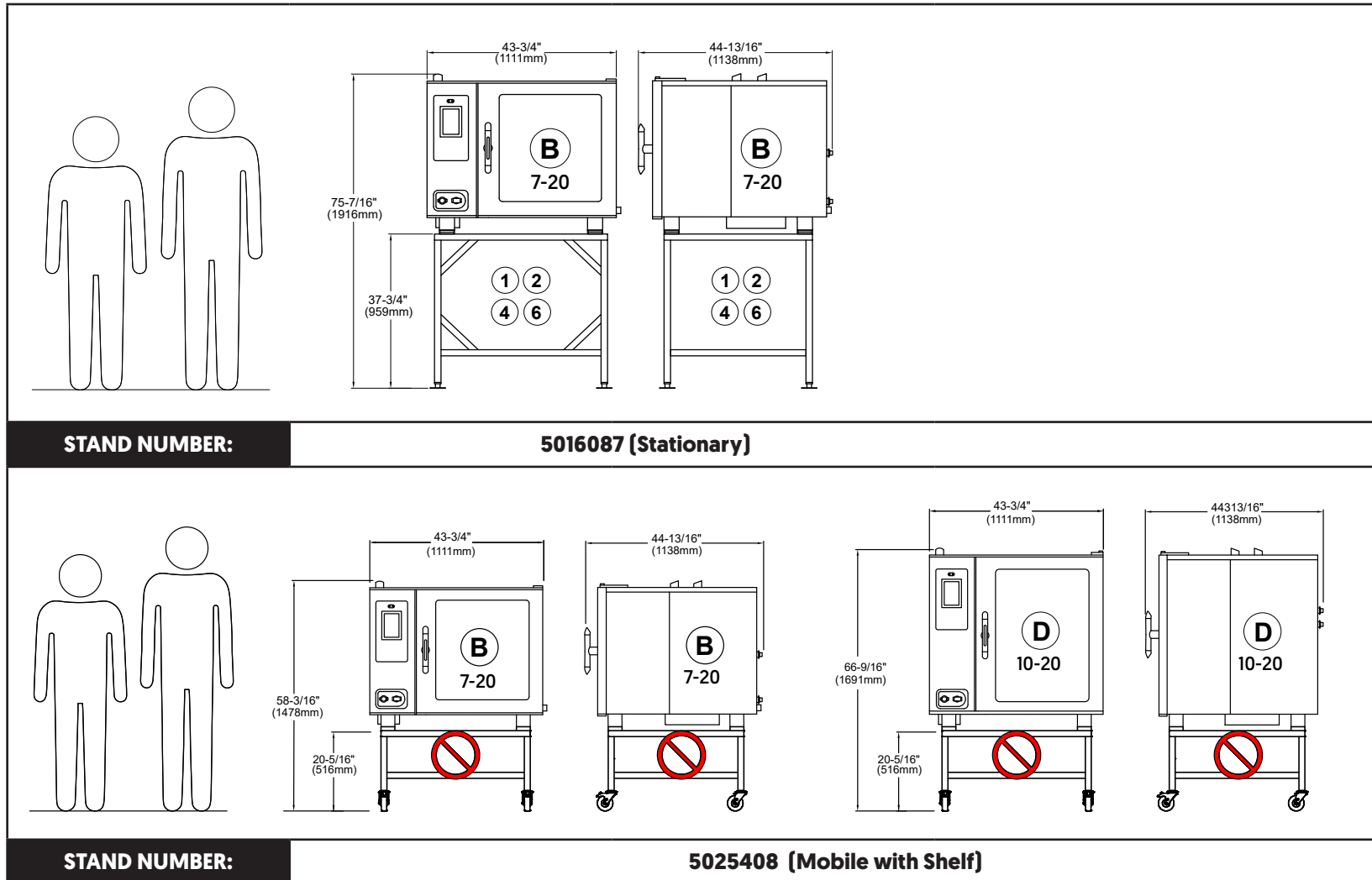
Combinations—7-20E/G or 10-20E/G Stands [continued]

Note: The human figures at left are provided for general height reference. They are depicted as 5'-5" [1651mm] and 6' [1829mm] tall.



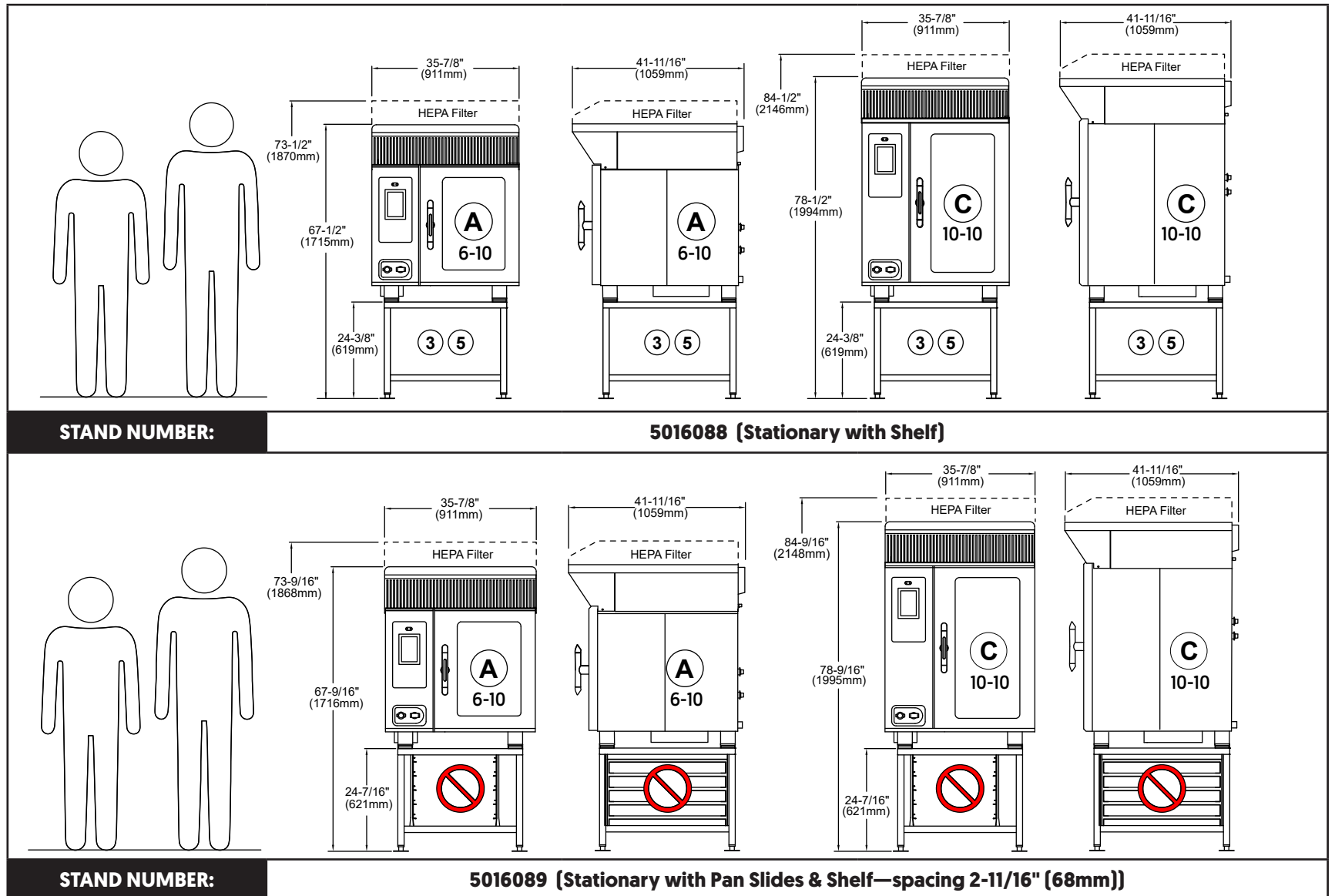
Combinations—7-20E/G or 10-20E/G Stands [continued]

Note: The human figures at left are provided for general height reference. They are depicted as 5'-5" [1651mm] and 6' [1829mm] tall.



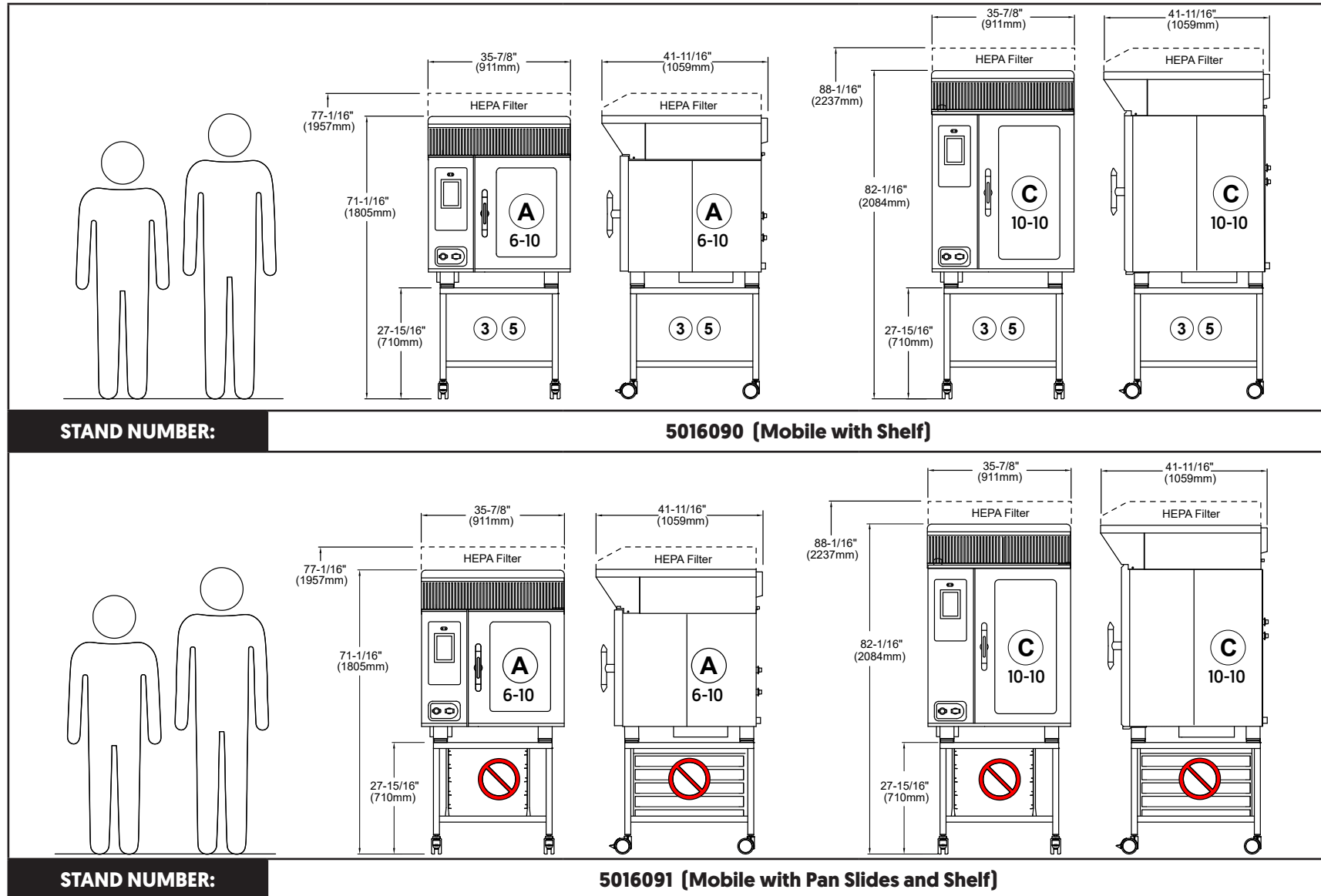
Combinations—6-10E or 10-10E with Ventech™ Hoods on Stands

Note: The human figures at left are provided for general height reference. They are depicted as 5'-5" [1651mm] and 6' [1829mm] tall.



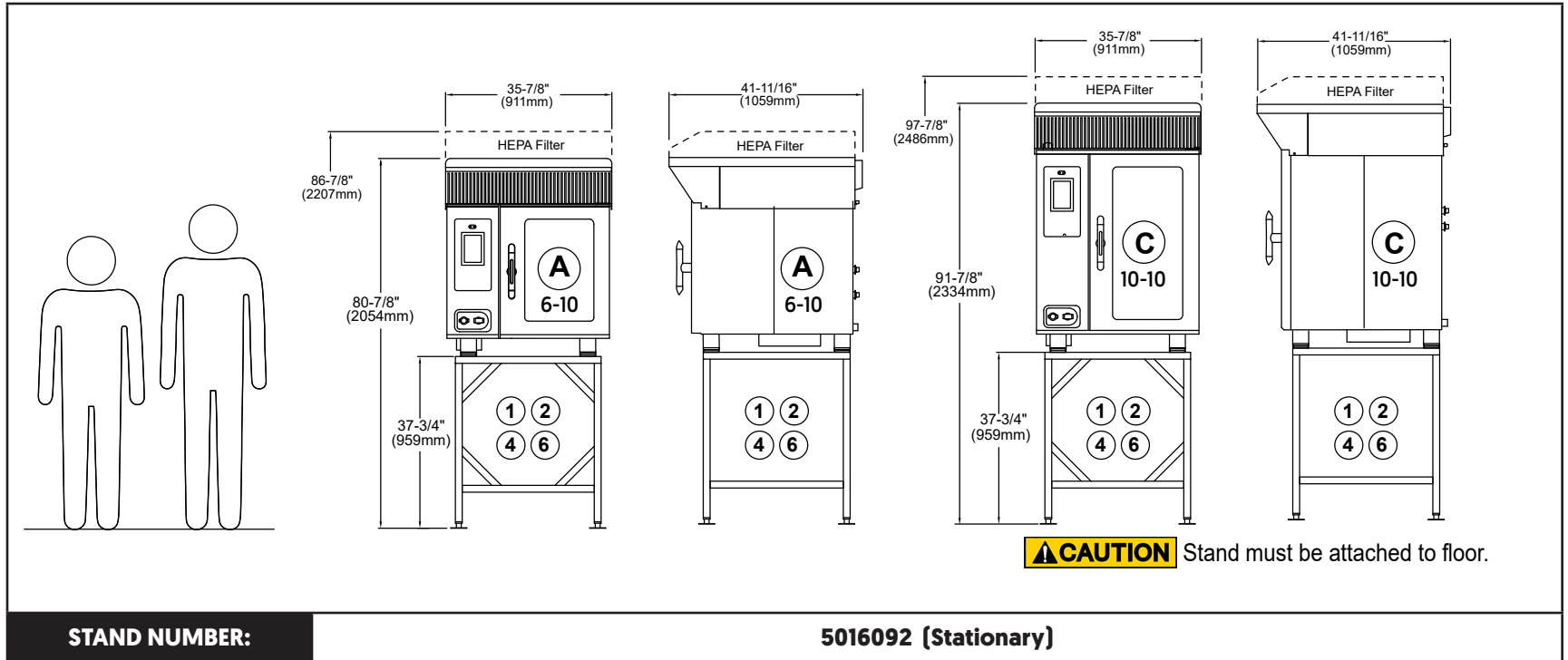
Combinations—6-10E or 10-10E with Ventech™ Hoods on Stands [continued]

Note: The human figures at left are provided for general height reference. They are depicted as 5'-5" (1651mm) and 6' (1829mm) tall.



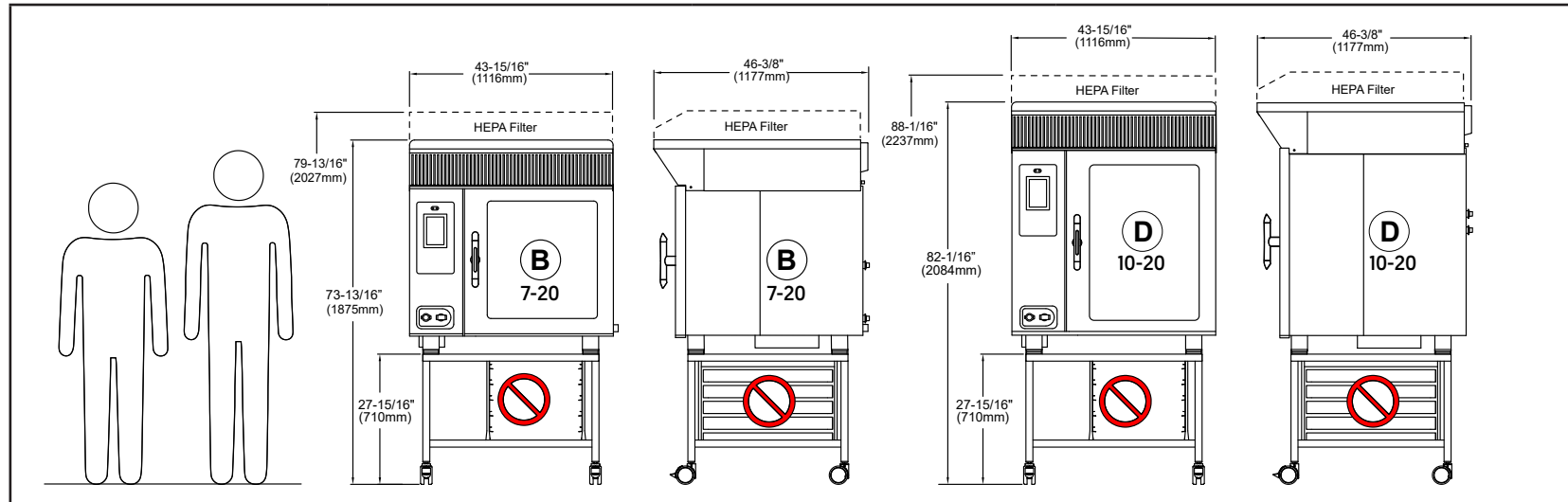
Combinations—6-10E or 10-10E with Ventech™ Hoods on Stands [continued]

Note: The human figures at left are provided for general height reference. They are depicted as 5'-5" [1651mm] and 6' [1829mm] tall.



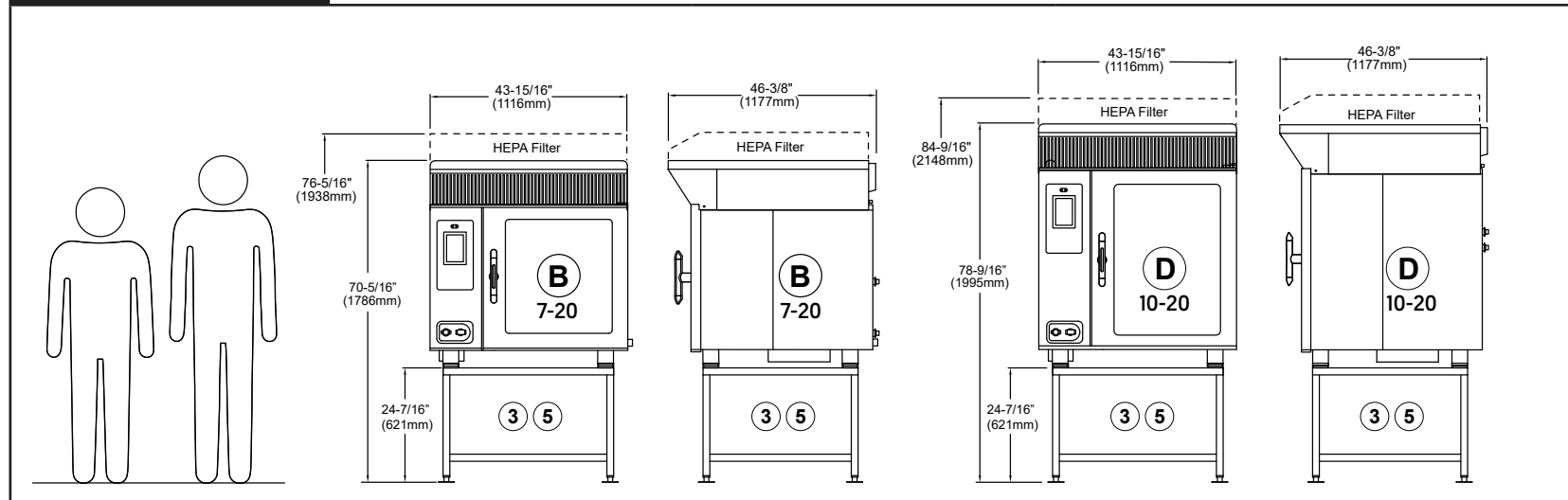
Combinations—7-20E or 10-20E with Ventech™ Hoods on Stands

Note: The human figures at left are provided for general height reference. They are depicted as 5'-5" (1651mm) and 6' (1829mm) tall.



STAND NUMBER:

5015711 (Mobile with Pan Slides and Shelf)

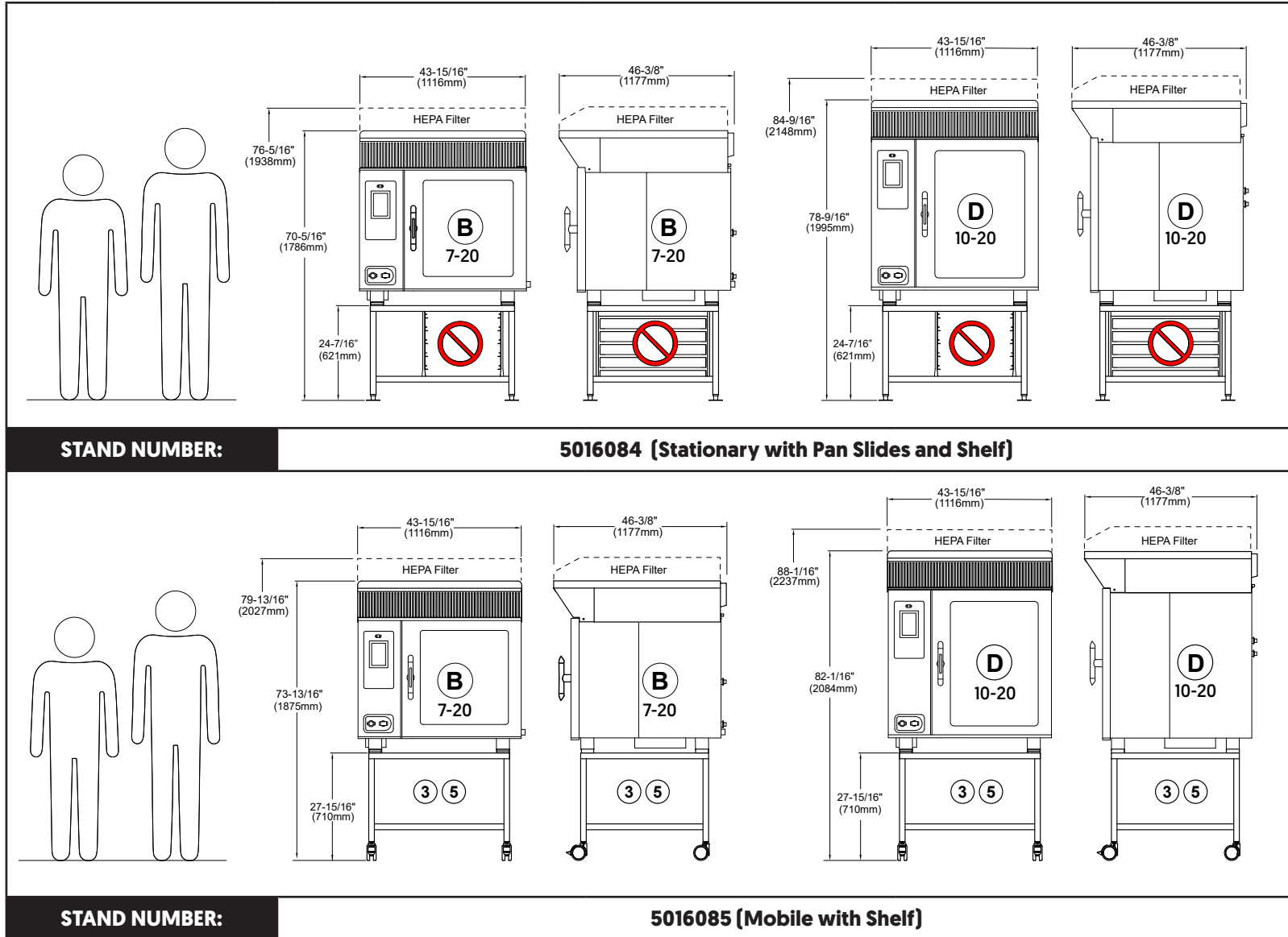


STAND NUMBER:

5016083 (Stationary with Shelf)

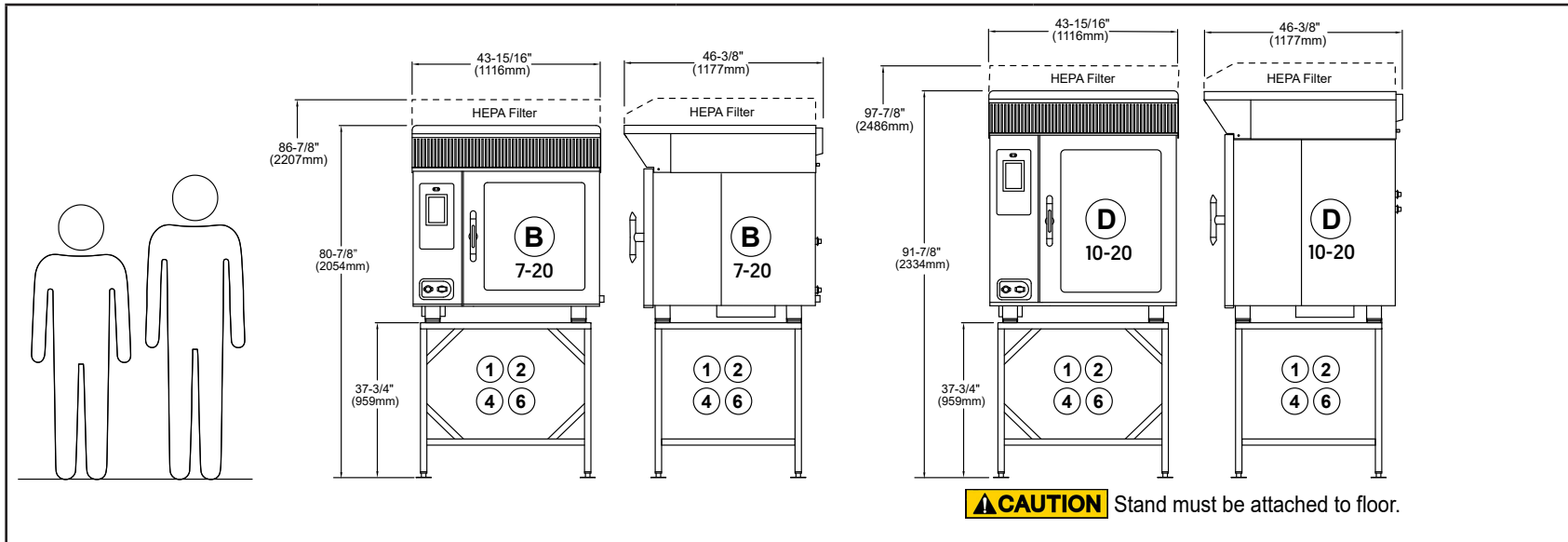
Combinations—7-20E or 10-20E with Ventech™ Hoods on Stands [continued]

Note: The human figures at left are provided for general height reference. They are depicted as 5'-5" [1651mm] and 6' [1829mm] tall.

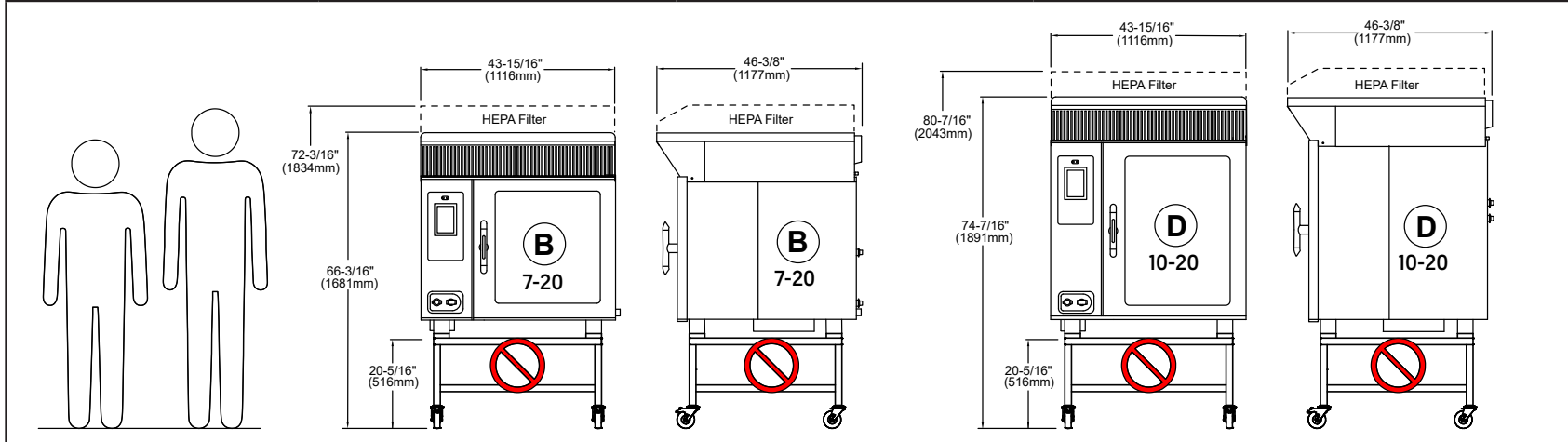


Combinations—7-20E or 10-20E with Ventech™ Hoods on Stands [continued]

Note: The human figures at left are provided for general height reference. They are depicted as 5'-5" [1651mm] and 6' [1829mm] tall.



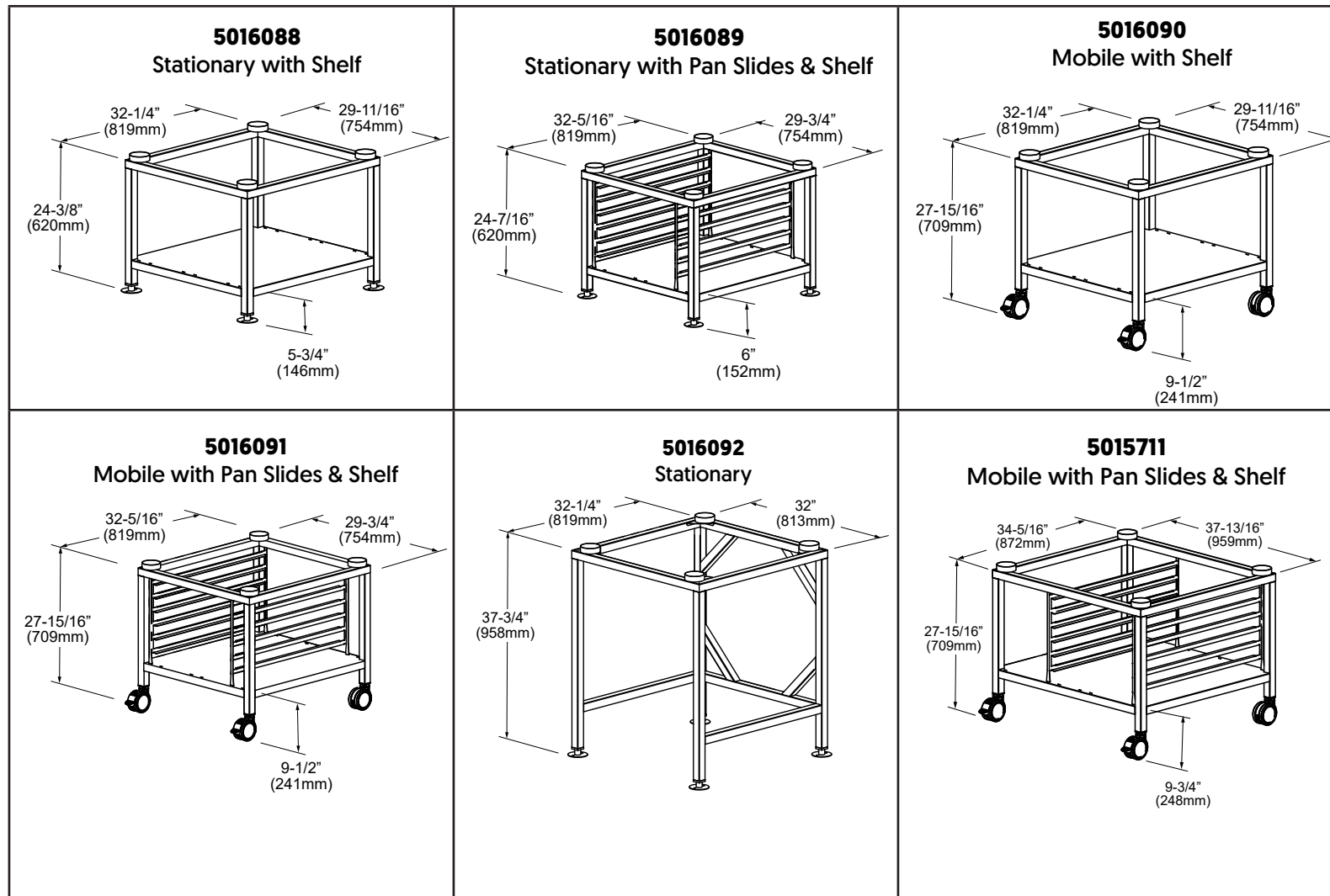
STAND NUMBER: 5016087 (Stationary)



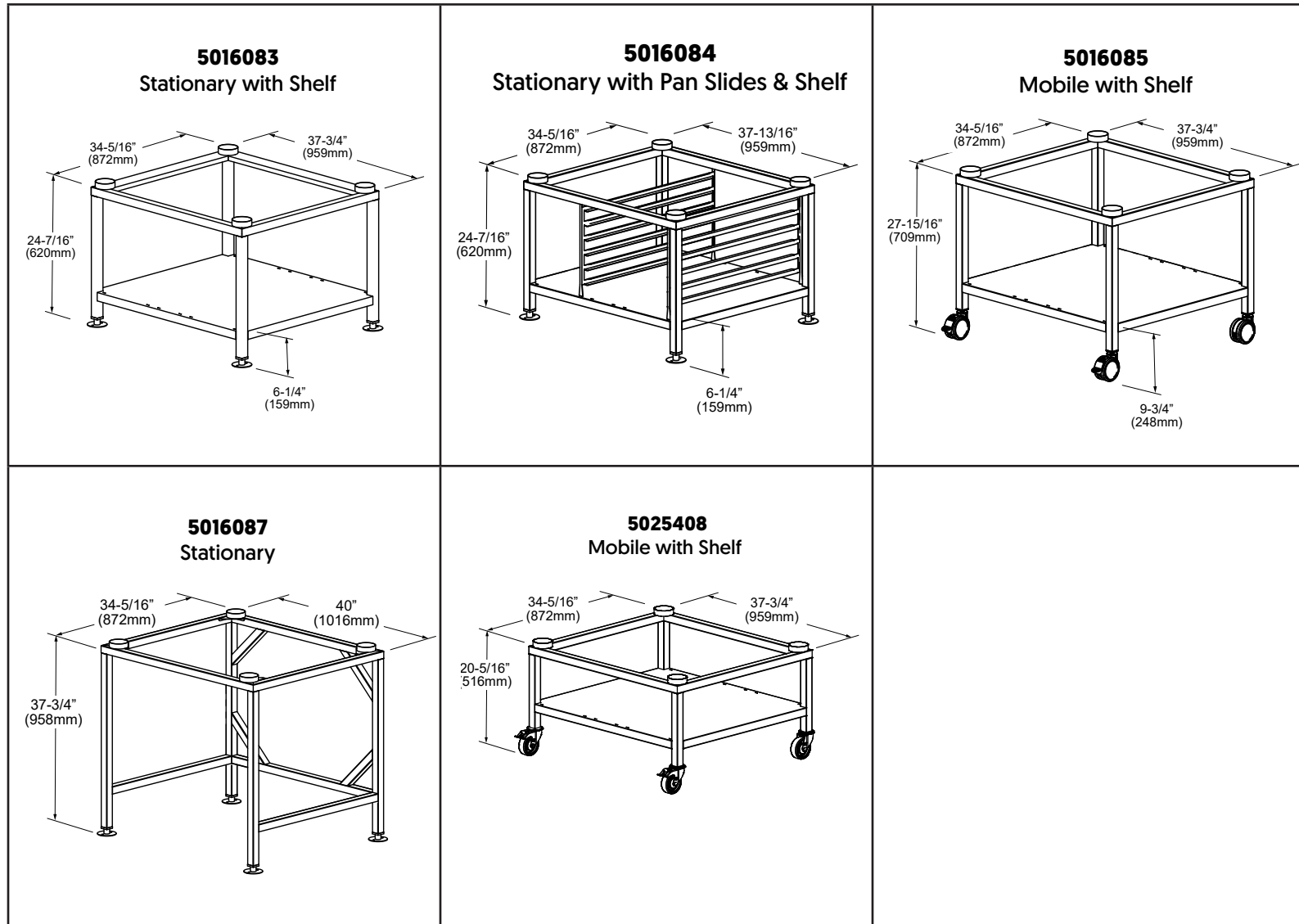
STAND NUMBER: 5025408 (Mobile with Shelf)

Stand Details

Dimensional views of each stand are provided below and on the following page.



Stand Details [continued]





ALTO-SHAAM.

Menomonee Falls, WI U.S.A.

Phone 800-558-8744 | +1-262-251-3800 | alto-shaam.com

ASIA

Shanghai, China
Phone +86-21-6173-0336

AUSTRALIA

Brisbane, Queensland
Phone 800-558-8744

CANADA

Concord, Ontario Canada
Toll Free Phone 866-577-4484
Phone +1-905-660-6781

FRANCE

Aix en Provence, France
Phone +33(0)4-88-78-21-73

GMBH

Bochum, Germany
Phone +49 (0)234 298798-0

ITALY

Padua, Italy
Phone +39 3476073504

INDIA

Pune, India
Phone +91 9657516999

MEXICO

Phone +52 1 477-717-3108

MIDDLE EAST & AFRICA

Dubai, UAE
Phone +971-4-321-9712

CENTRAL & SOUTH AMERICA

Miami, FL USA
Phone +1 954-655-5727

RUSSIA

Moscow, Russia
Phone +7 903 7932331