

REMOTE POWER PACK - AIR COOLED



PREMIUM - 3 PUMP - 5,100 BTUs

- Engineered by beer-industry experts for performance and value.
- Digital thermostat for accurate glycol bath temperature.
- Expanded urethane foam insulates cabinet to maintain glycol temperature and minimize condensation.
- Exterior sight glass to verify glycol bath level.
- Anti-vibration pads reduce motor noise.
- Remote condenser for accessibility.
- Fan control switch and crank case heater included.
- Pump down refrigeration system.

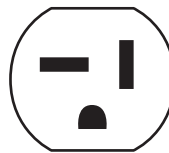


Remote Condenser Unit
(cover included)



Glycol Bath, Pumps & Motors
(cover included)

MMPP4303-PKG-3-R



6-20P*




*Units manufactured prior to 2/1/2022 were produced with a 6-15P plug.



www.micromatic.com • 1 (866) 327-4159

3/4 HP COMPRESSOR

Job Number: _____ Location: _____

Part No.	Description	Shipping Weight
 MMPP4303-PKG-3-R	Remote condenser, air cooled power pack, 3 pump and motor	80 kg 175 lbs

Operating Performance

Compressor	3/4 HP	Refrigerant	R-134a
BTU per hour	5,100	Charge	TBD
Plug Type (NEMA #)	6-20P*	Refrigerant Running Pressure	18 (low) 140 (high)
Cord Length	8'	Bath Capacity	43.5 litre (11.5 gallons)
Voltage	208/230	Pump Type	Rotary Vane
Body Amps / Unit Amps	3 / 6.5	Push In Connector	12.7mm (1/2") O.D.

*Units manufactured prior to 2/1/2022 were produced with a 6-15P plug.

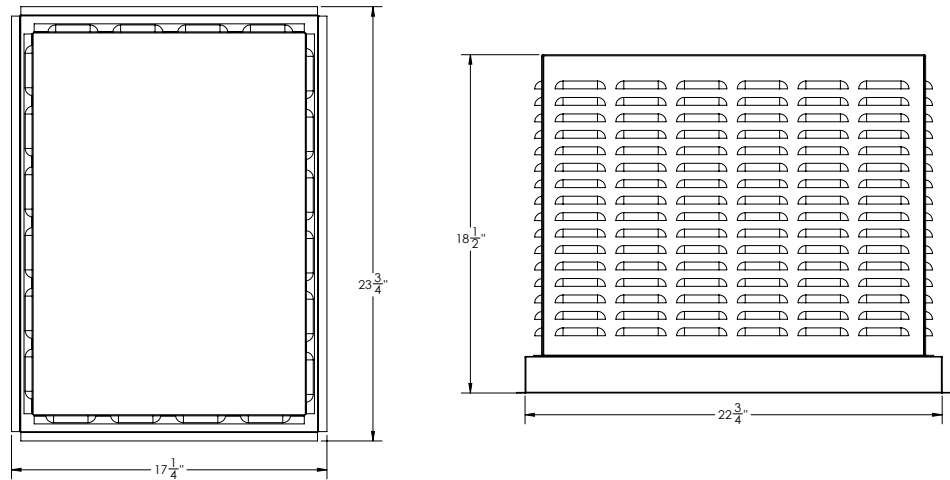
Dimensions

REMOTE CONDENSING UNIT

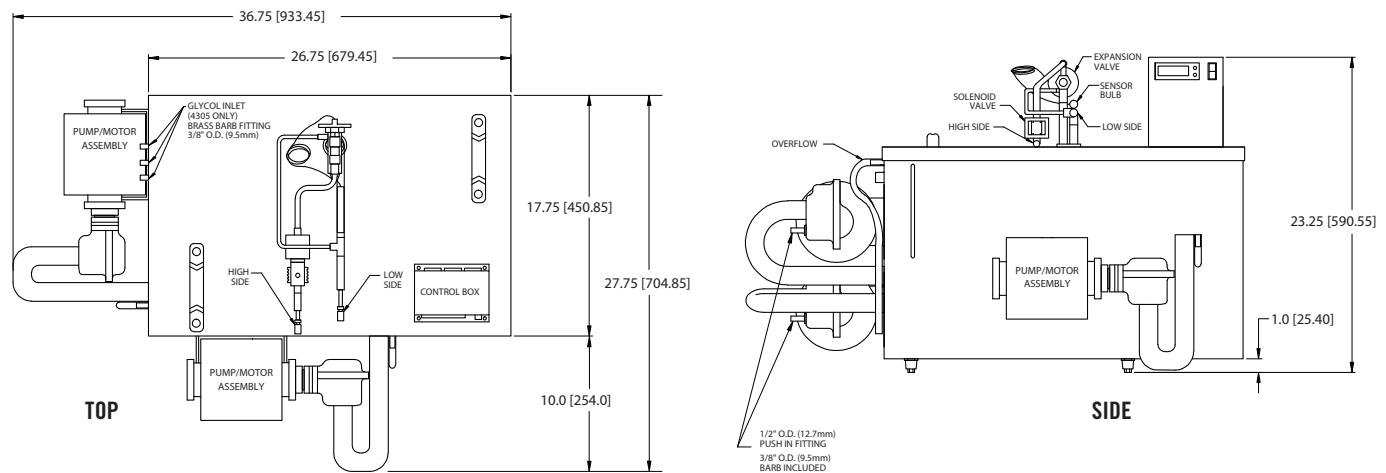
Remote Power Packs must be installed by a qualified refrigeration technician, copper line set, drier, sight glass and refrigerant must be provided by installer. **The condensing unit needs to be hard wired and the bath has a cord and plug.**

Maximum distance from bath to compressor is 50 ft.

CONDENSING UNIT DIMENSIONS WITH COVER		
L	W	H
23.75	17.25	18.5



GLYCOL BATH, PUMPS & MOTORS



 **MICRO MATIC**
Toll-Free: 1-866-327-4159
www.micromatic.com

West
19791 Bahama St.
Northridge, CA 91324
Tel. (818) 701-9765
Fax. (818) 701-9844

Central
10726 North Second St.
Machesney Park, IL 61115
Tel. (815) 968-7557

Southeast
2386 Simon Ct.
Brooksville, FL 34604
Tel. (352) 799-6331

Northeast
4601 Saucon Creek Rd.
Center Valley, PA 18034
Tel. (610) 625-4464
Fax. (610) 625-4466