



ENDURO 175

POST-MIX ICE DRINK DISPENSER



FEATURES:

Large ice capacity- 175 lb. ice capacity

Choices - Available with 8 UFB-1™ sanitary lever or push button valves

Merchandising - Illuminated merchandiser delivers unique, high impact marketing message

Ice - Gravity ice dispensing with positive shut-off provides excellent ice targeting
Ice used to cool cold plate is separate from ice dispensed into cups

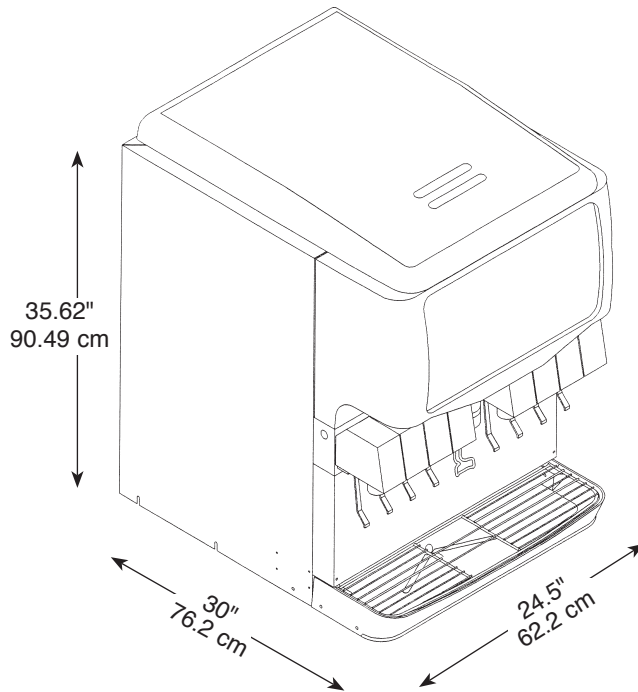
Durable – easily changes from carbonated to non-carbonated One piece ABS thermoformed plastic (Durabide™ design) provides durability and ensures all ice in hopper is dispensable

Flexible - Unit readily accepts top mount cubers with manual ice fill capability

Quality - Stainless steel cabinet

Ease of Use - Modular design allows for easy component access from the front of the unit

TotalFlex™ – easily changes from carbonated to non-carbonated






PART NUMBER	DESCRIPTION
621052703	Enduro 175 Ice Drink Dispenser with 8 UFB-1™ 2-4 oz Sanitary Lever Valves
621052706	Enduro 175 Ice Drink Dispenser with 8 UFB-1™ 2-4 oz Push Button Valves
3470	Enduro 175 Dispenser Stand - Stainless Steel 30"H x 24.5"W x 30"D

* If top mounting an ice maker, an ice maker adapter kit is required. Order separately.

TECHNICAL SPECIFICATIONS

ICE STORAGE CAPACITY 175 lb (79.38 kg)
 BEVERAGE MANIFOLDING TotalFlex
 CUP CLEARANCE 9.75" (24.76 cm)
 COOLING CAPACITY 10-12 oz drinks/min
 @ 75°F
 DRAIN CONNECTION 0.75" PVC (NPT) or
 1" ID flexible tubing
 GRAPHIC SIZE Overall:
 11.083"H x 19.294"W
 Viewable:
 10.608"H x 18.67"W

STANDARD FEATURES Beverage Key Switch,
 timed agitation and
 4" legs
 ELECTRICAL RATING 115 V / 60 Hz / 3 Amps
 SHIPPING WEIGHT 230 lb (104.33 kg)

AGENCY LISTINGS   
 City of Los Angeles

