

# Vector® F Series Multi-Cook Oven



Providing unmatched cooking results and value to the kitchen, Vector F Series models are specifically designed for high-volume cooking.

Featuring three or four independent oven chambers, operators can control the temperature, fan speed and cook time in each individual chamber for maximum flexibility – simultaneously cooking a variety of menu items with no flavor transfer.

Exclusive Structured Air Technology® delivers focused heat for faster, more even cooking and consistent, high-quality results.

Cook by time or optional temperature probes in single or combined chambers.

Reallocate skilled labor by eliminating extra steps in food production and the need to watch and rotate pans.

Replace or relieve multiple pieces of equipment in the kitchen.

Maximize space and reduce installation and operating costs with waterless design – no plumbing, drains, filtration or associated maintenance.

Stack with multiple pieces of equipment, including Combitherm® ovens, to minimize equipment footprint and optimize kitchen layout.

An advanced control – designed intentionally simple – features an intuitive, user-friendly interface and programmable recipes to ensure consistency with each cook.

ChefLinc™, cloud-based remote oven management software, streamlines processes and maximizes profits with data-driven insights (deluxe control only).

ISO 9001:2015-certified

## Standard Features

- Programmable, touchscreen control
- Easy recipe upload/download via USB port
- Double-pane glass door
- One (1) wire stainless steel rack and two (2) jet plates
- per cooking chamber
- 6' (1829 mm) long flexible conduit with wires pre-installed (Canada only)



### CAPACITY

**VMC-F3E:** 3 shelf, 3 full-size sheet pans (18" x 26" x 1"),  
6 full-size hotel pans (20-3/4" x 12-3/4" x 4") or  
6 half-size sheet pans (18" x 13" x 1")

**VMC-F4E:** 4 shelf, 4 full-size sheet pans (18" x 26" x 1"),  
8 full-size hotel pans (20-3/4" x 12-3/4" x 4") or  
8 half-size sheet pans (18" x 13" x 1")



VMC-F4E



VMC-F3E

## Configurations (select one)

### Models

- VMC-F3  VMC-F4

### Control

- Deluxe  Simple

## Electrical

### VMC-F3, VMC-F4

- 208–240V, 3PH, no cord, no plug

## Accessories (select all that apply)

### Probes

See accessories brochure for additional probe options

- Removable, single-point, quick-release, temperature probe (PR-35770)

### Casters and legs

- 3" (76mm) casters, set of four (4) (5027946)  
 Seismic feet: 4–6" adjustable (5017128)

### Cookware

See accessories brochure for all available accessories

- Wire rack (SH-39201)  
 Jet plate assembly (5029754R)

### Cleaning

- Alto-Shaam non-caustic oven cleaner, one (1) 32 oz. bottle (CE-46828)  
 Alto-Shaam non-caustic oven cleaner, case of six (6) bottles (CE-46829)

### Grease filters

- Grease filter, air return, side (1023771)  
 Grease filter, air return, back (1023741)  
 Grease filter kit, includes two (2) side and one (1) back, (5027120)

### Kit

- Kit, Ethernet cable (5030518) (For Deluxe controls only)

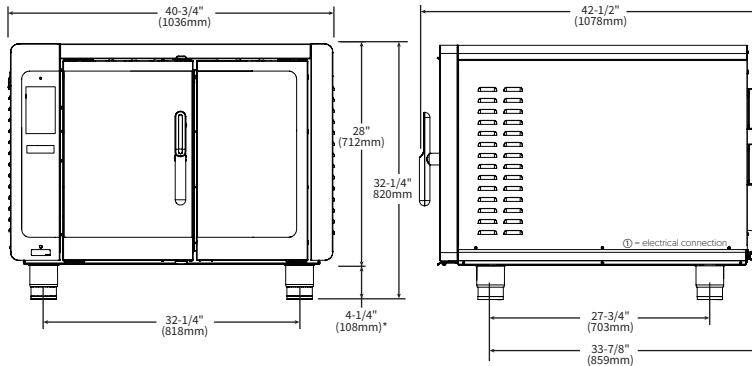


ANSI/NSF 4

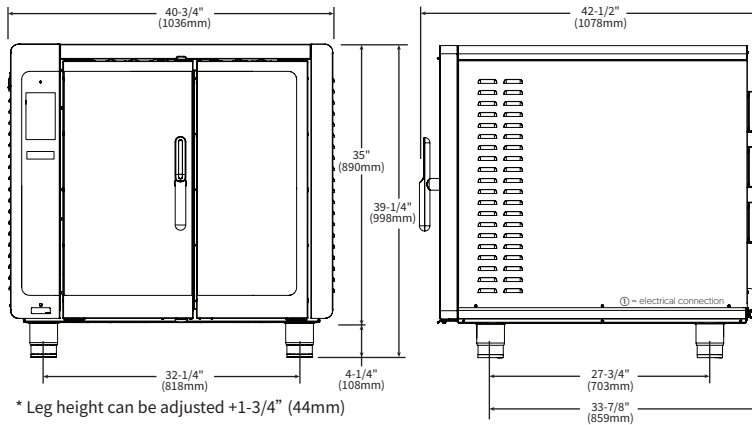
# Vector® F Series Multi-Cook Oven



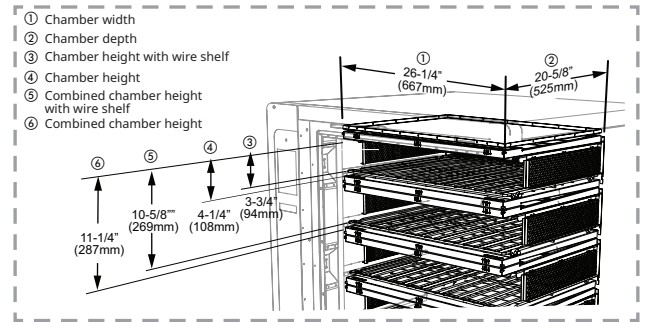
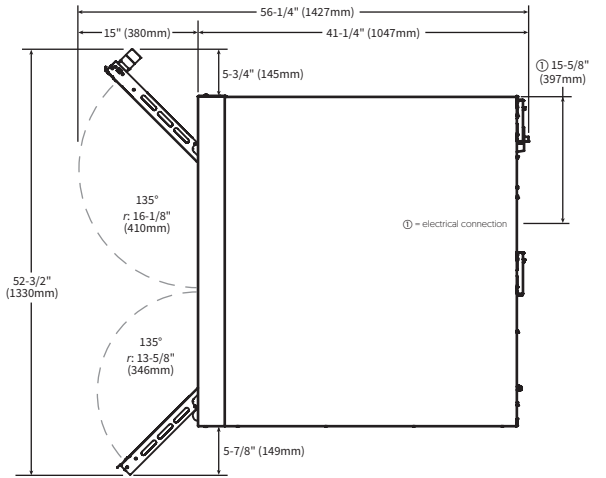
VMC-F3E



VMC-F4E



\* Leg height can be adjusted +1-3/4" (44mm)



DIMENSIONS

Model	Exterior (H x W x D)
VMC-F3E	32-1/4" x 40-3/4" x 42-1/2" [820mm x 1036mm x 1078mm]
VMC-F4E	39-3/8" x 40-3/4" x 42-1/2" [998mm x 1036mm x 1078mm]
	<b>Chamber Height:</b> 4-5/16" (109mm)
	<b>Combined Chamber Height:</b> 11-1/4" (287mm)

Interior (H x W x D)
21-3/8" x 26-1/4" x 20-5/8" [542mm x 667mm x 525mm]
28-3/8" x 26-1/4" x 20-5/8" [720mm x 667mm x 525mm]

Ship Dimensions (L x W x H)*
VMC-F3E 56" x 45" x 45" [1422mm x 1143mm x 1143mm]
VMC-F4E 56" x 45" x 51" [1422mm x 1143mm x 1295mm]

Ship Weight*	Net Weight
610 lb [277 kg]	489 lb [222 kg]
751 lb [341 kg]	616 lb [279 kg]

\*Domestic ground shipping information. Contact factory for export weight and dimensions.

# Vector® F Series Multi-Cook Oven



## Heat of rejection

VMC-F	Heat Gain qs, BTU/hr	Heat Gain qs, kW
	2,307	0.68



Maximum temperature: 525°F [274°C]

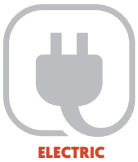


Top: 2" [51mm]  
Left: 2" [51mm]\*  
Right: 2" [51mm]  
Front: 16" [406mm]  
Back: 2" [51mm]



- The oven must be installed level.
- The oven must not be installed in any area where it may be affected by steam, grease, dripping water, high temperatures, or any other severely adverse conditions.
- Exhaust ventilation is required.
- Oven not intended for built-in installation.

\* 20" [508mm recommended for service access]



VMC-F3E	V	Ph	Hz	Awg*	IEC	A	Breaker (A)*	kW	Plug Configuration**
208-240V	208	3	60	8	—	31	50	11.5	No cord, no plug
	240	3	60	8	—	35	50	15.0	No cord, no plug
VMC-F4E									
208-240V	208	3	60	6	—	41	60	15.2	No cord, no plug
	240	3	60	6	—	46	60	19.9	No cord, no plug

Electrical connections must meet all applicable federal, state, and local codes.

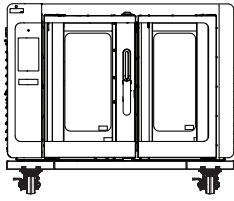
\*\* Canadian units include 6' [1829 mm] long flexible conduit with wires that protrude 6" [152 mm] outside of conduit.

# Vector® F Series Multi-Cook Oven

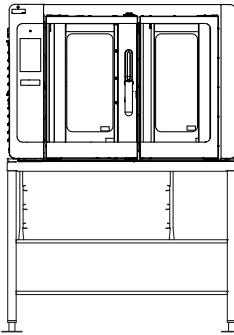


## Stands and Stacking

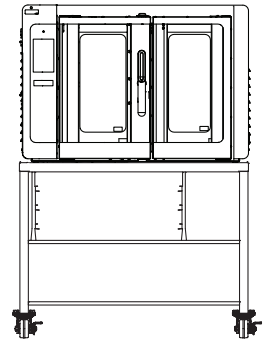
**VMC- F3E**  
**5025815**  
H: 34" (865mm)  
W: 41" (1042mm)  
D: 42-1/2" (1078mm)



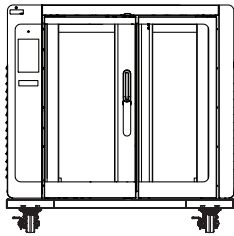
**VMC- F3E**  
**5025508**  
H: 56-5/8" (1439mm)\*  
W: 42-1/2" (1078mm)  
D: 42-1/2" (1078mm)



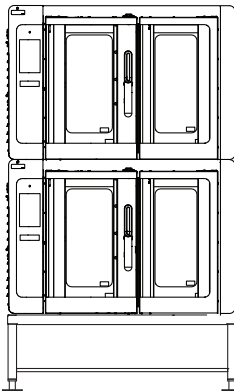
**VMC-F3E**  
**5025511**  
H: 59-1/8" (1501mm)  
W: 44" (1118mm)  
D: 42-1/2" (1078mm)



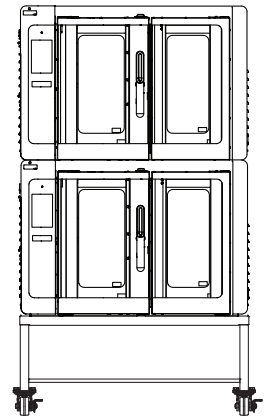
**VMC- F4E**  
**5025815**  
H: 41" (1039mm)  
W: 41" (1042mm)  
D: 42-1/2" (1078mm)



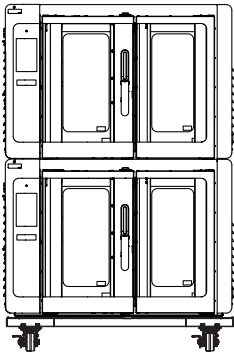
**VMC- F3E/VMC-F3E**  
**5031521**  
**5025509**  
H: 71-1/4" (1809mm)\*  
W: 42-1/2" (1078mm)  
D: 42-1/2" (1078mm)



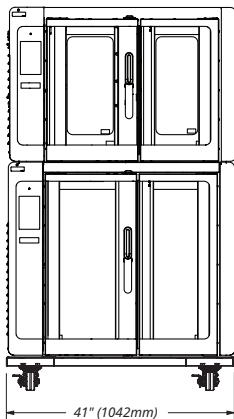
**VMC-F3E/VMC-F3E**  
**5031521**  
**5025512**  
H: 73-5/8" (1871mm)  
W: 44" (1118mm)  
D: 42-1/2" (1078mm)



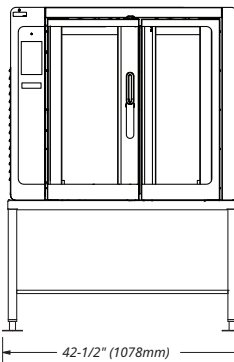
**VMC- F3E/VMC-F3E**  
**5031521**  
**5025815**  
H: 62" (1577mm)  
W: 41" (1042mm)  
D: 42-1/2" (1078mm)



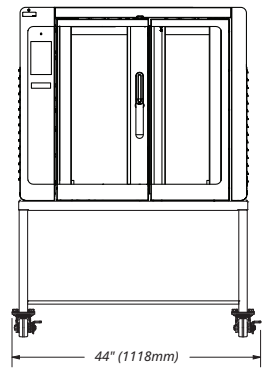
**VMC- F3E/VMC-F4E**  
**5031521**  
**5025815**  
H: 69" (1754mm)  
W: 41" (1042mm)  
D: 42-1/2" (1078mm)



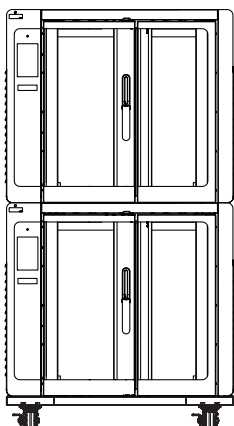
**VMC- F4E**  
**5025507**  
H: 56-5/8" (1439mm)\*  
W: 42-1/2" (1078mm)  
D: 42-1/2" (1078mm)



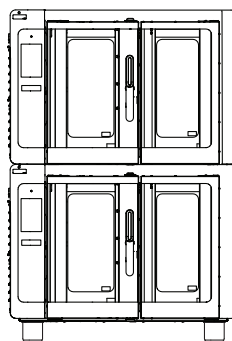
**VMC-F4E**  
**5025510**  
H: 59-1/8" (1501mm)  
W: 44" (1118mm)  
D: 42-1/2" (1078mm)



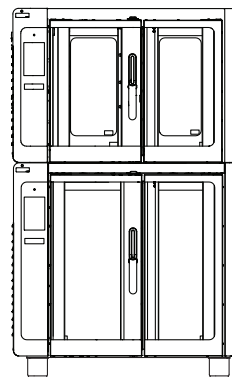
**VMC- F4E/VMC-F4E**  
**5031521**  
**5025815**  
H: 76" (1932mm)  
W: 41" (1042mm)  
D: 42-1/2" (1078mm)



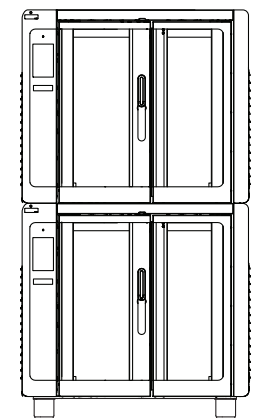
**VMC- F3E/VMC-F3E**  
**5031521**  
H: 60-3/8" (1531mm)\*\*  
W: 41" (1042mm)  
D: 42-1/2" (1078mm)



**VMC- F3E/VMC-F4E**  
**5031521**  
H: 67-3/8" (1709mm)\*\*  
W: 41" (1042mm)  
D: 42-1/2" (1078mm)



**VMC-F4E/VMC-F4E**  
**5031521**  
H: 74-3/8" (1887mm)\*\*  
W: 41" (1042mm)  
D: 42-1/2" (1078mm)

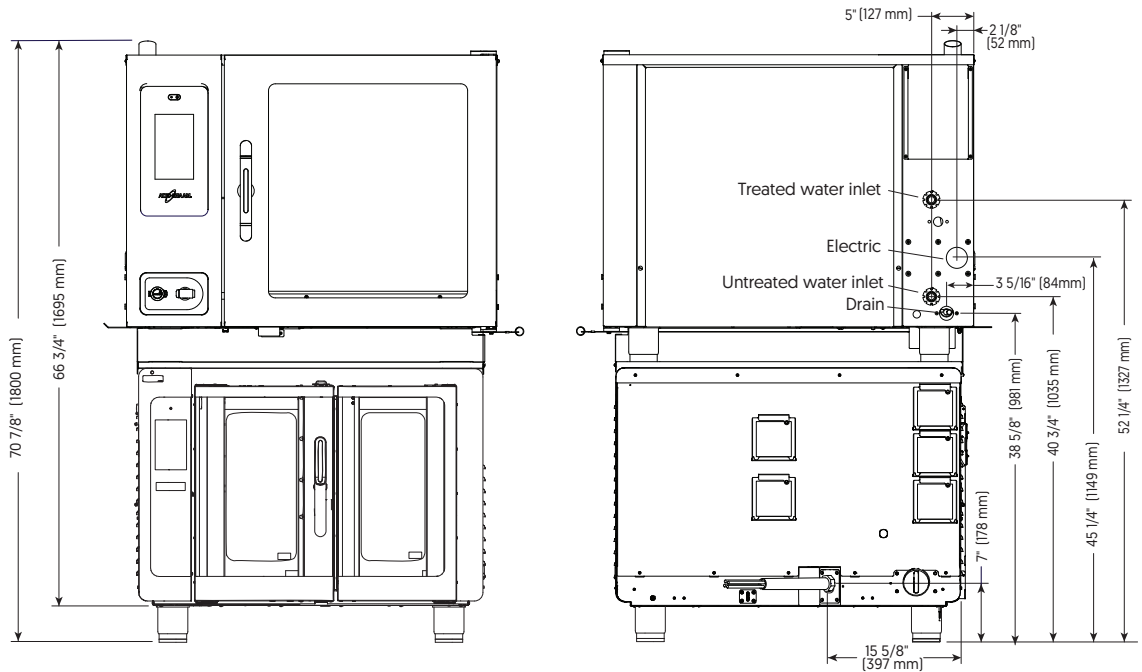


# Vector® F Series Multi-Cook Oven

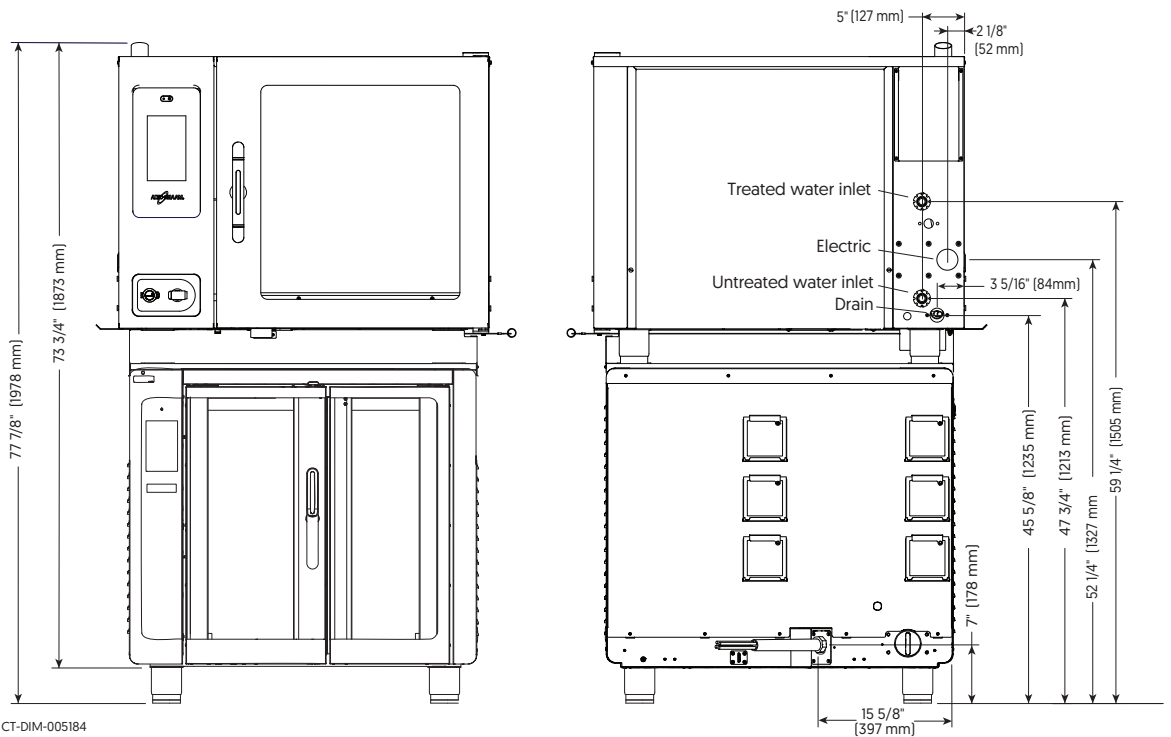


CTP7-20 Combi over Vector F E

**CTP7-20 Over F3**  
See CTP7-20/CTC7-20 over VMC-F stacked kit specification sheet.



**CTP7-20 Over F4**  
See CTP7-20/CTC7-20 over VMC-F stacked kit specification sheet.



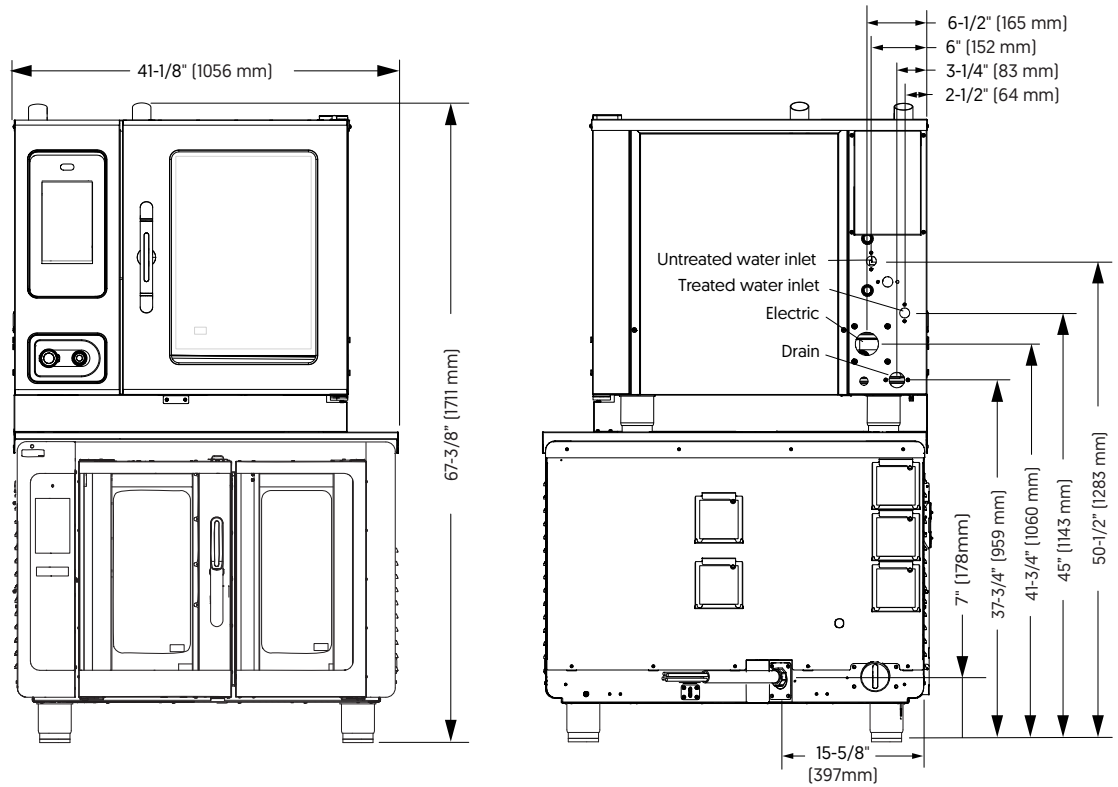
CT-DIM-005184

# Vector® F Series Multi-Cook Oven

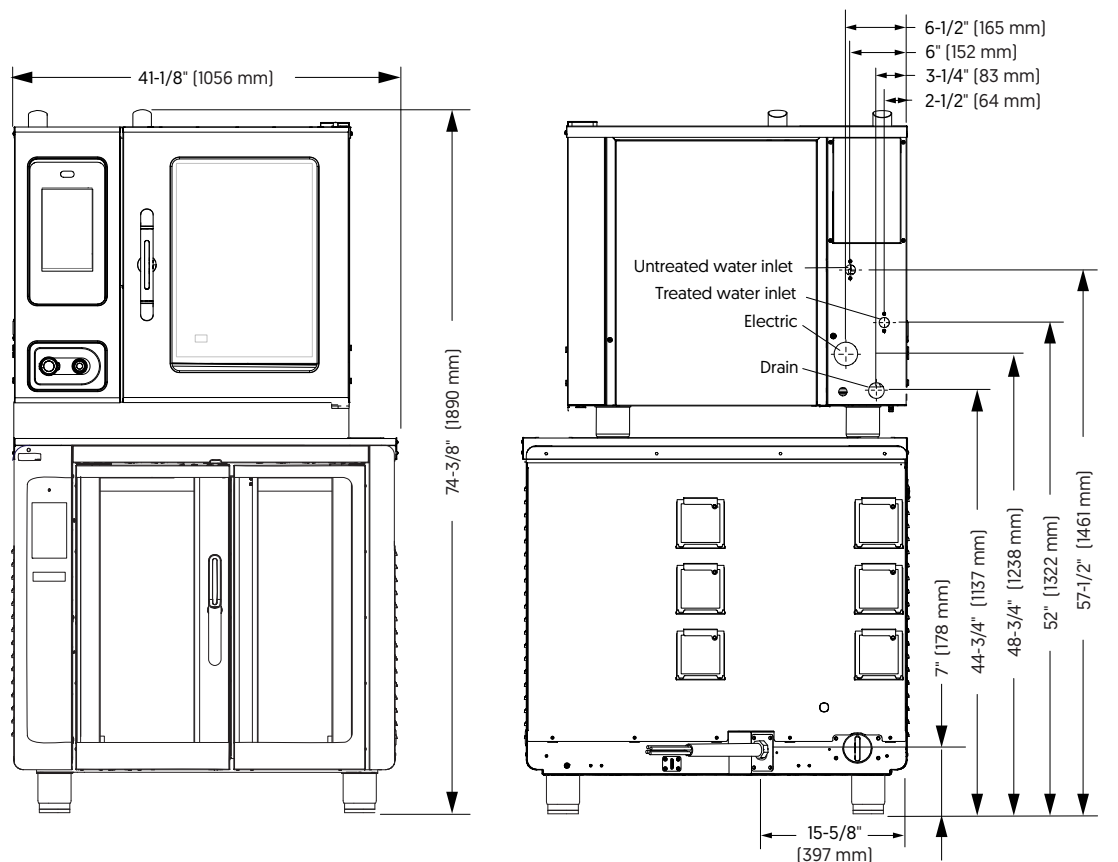


## CTP6-10 Combi over Vector F E

**CTP6-10 Over F3**  
See CTP6-10/CTC6-10 over VMC-F stacked kit specification sheet.



**CTP6-10 Over F4**  
See CTP6-10/CTC6-10 over VMC-F stacked kit specification sheet.

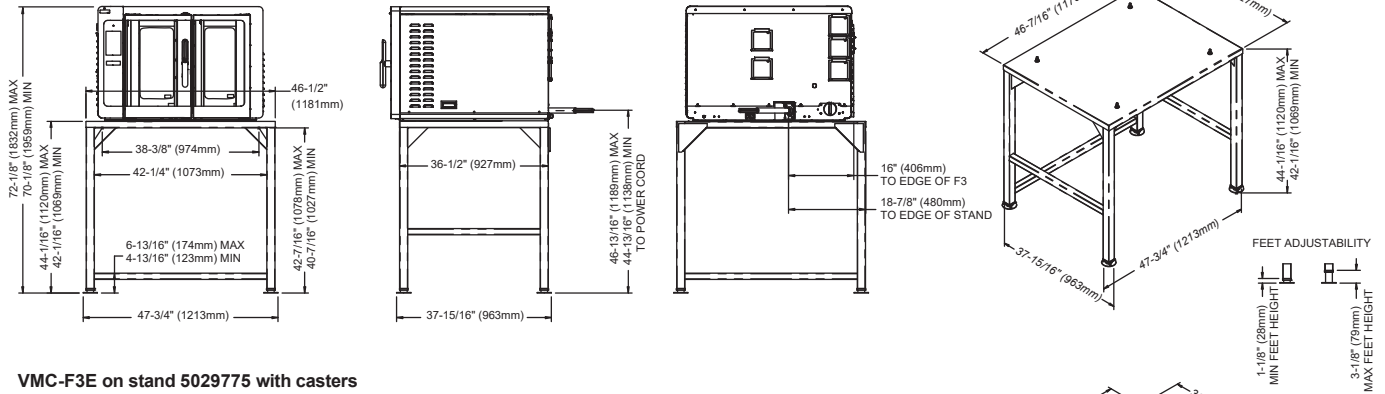


# Vector® F Series Multi-Cook Oven

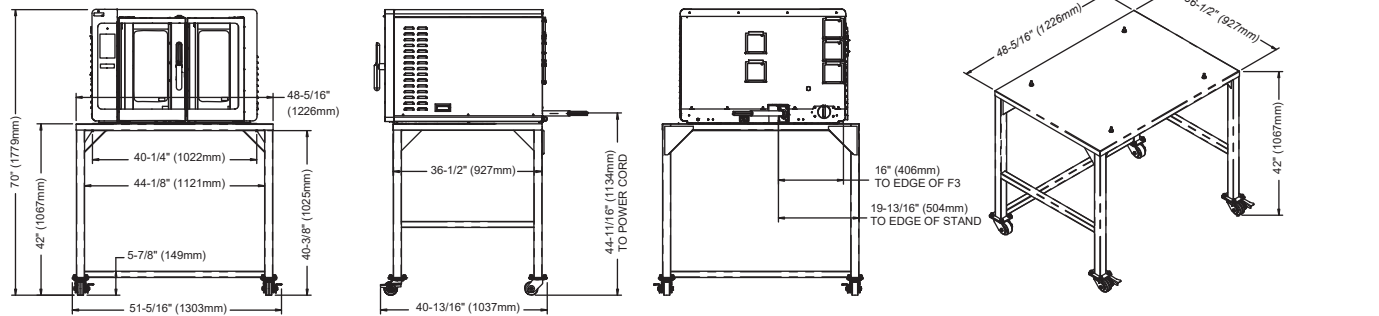


## F3 Multi-Purpose Stands

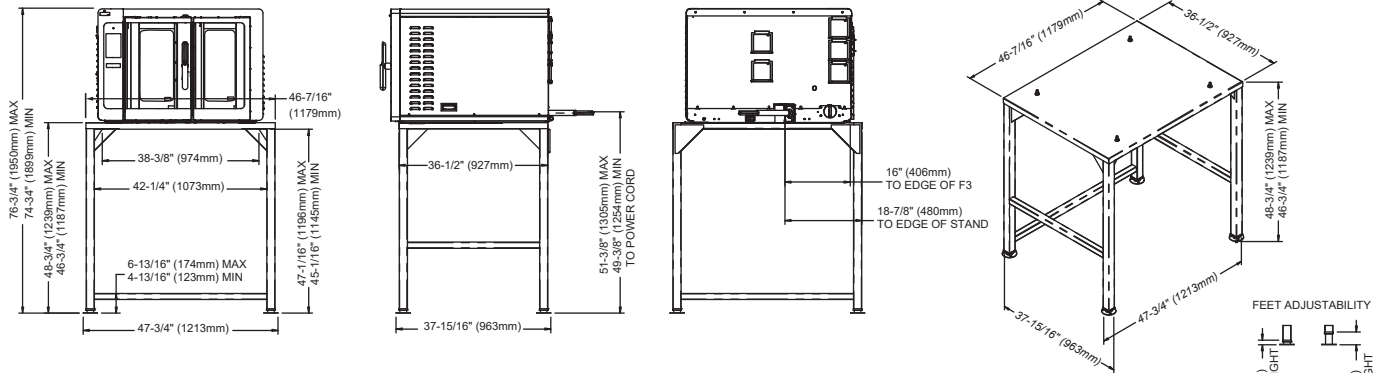
**VMC-F3E on stand 5029774 with feet**



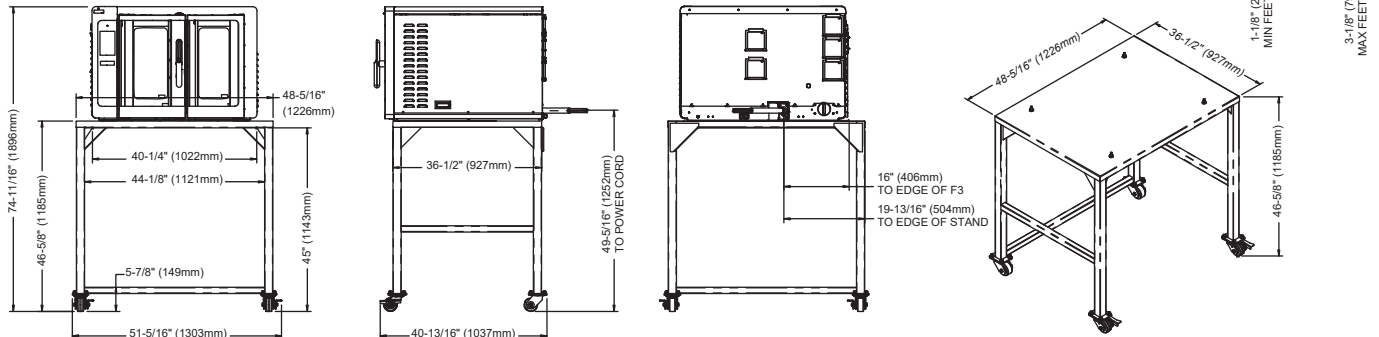
**VMC-F3E on stand 5029775 with casters**



**VMC-F3E on stand 5029776 with feet**

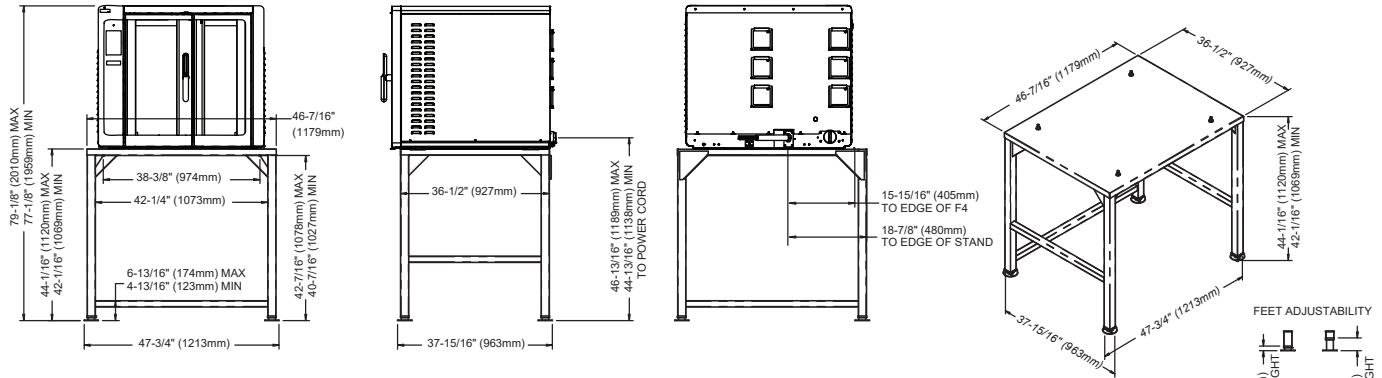


**VMC-F3E on stand 5029777 with casters**

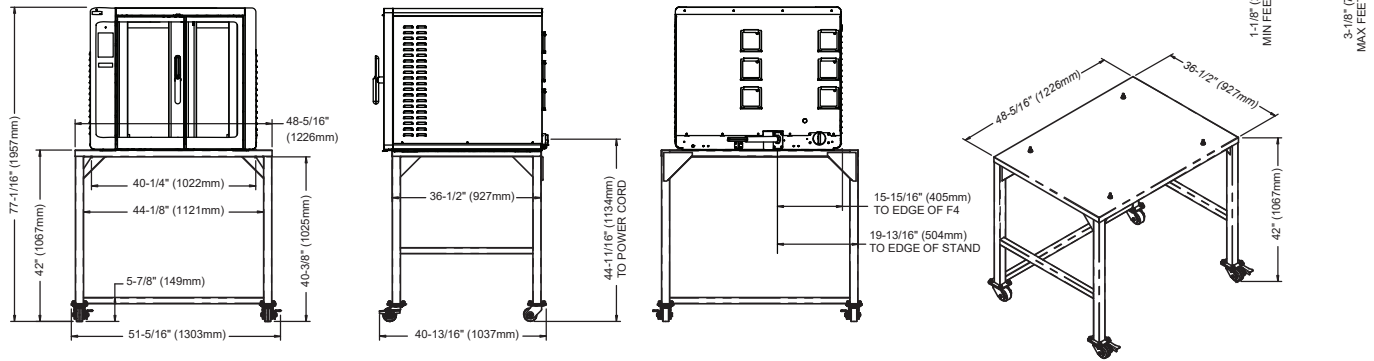


## F4 Multi-Purpose Stands

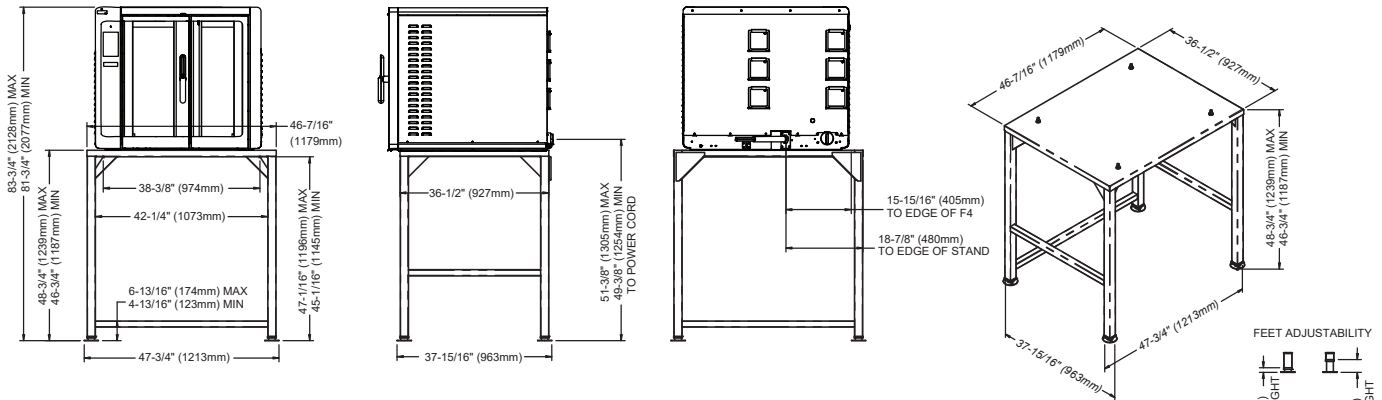
VMC-F4E on stand 5029774 with feet



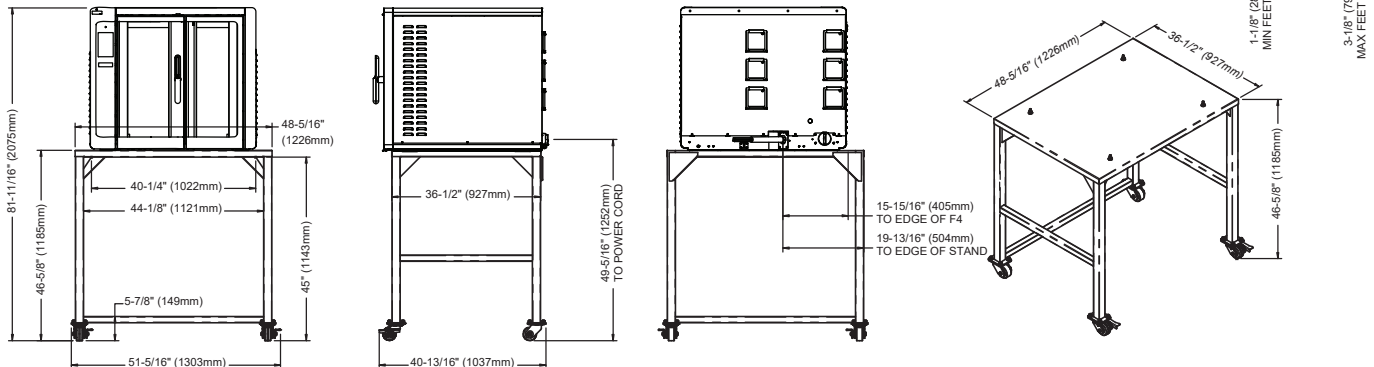
VMC-F4E on stand 5029775 with casters



VMC-F4E on stand 5029776 with feet



VMC-F4E on stand 5029777 with casters



### CONTACT US

W164 N9221 Water Street | Menomonee Falls, Wisconsin 53051 | U.S.A.

Phone: 262.251.3800 | 800.558.8744 U.S.A./Canada | Fax: 262.251.7067 | [alto-shaam.com](http://alto-shaam.com)