

bakeryXpress

Model No.
DXP-SM20
to **DXP-SM120**

120 KG SERIES SPIRAL MIXER

The doughXpress® DXP-SM20 to DXP-SM120 Series Spiral Mixer is designed for mixing heavy dough, such as those used in Bakeries, Pizzerias or Pastry Shops. Their long lasting stainless steel bowls can handle 44- 264 lbs of dough, depending on model.



Features:

- Constructed with a heavy-duty stainless steel bowl, safety guard and spiral agitator
- Powerful dual-motor design, one to drive spiral arm, one to drive bowl.
- Instant termination of operation if safety guard is lifted. Operation is only possible when the safety guard is in place.
- Minimal-Maintenance, high-power motor. Speed is altered without shifting gear.
- High-efficiency, 2-speed mixing achieves through blending ingredients to achieve desired results consistently within 7-10 minutes.
- Includes two 30 minute timers that automatically control mixing time. Machine is still operational even if timer is interrupted.
- New, dual-direction mixing technology, speed is synchronized with reverse-rotating bowl to mix ingredients and blend dough hydraulically downward. This keeps dough cooler and achieves desired results more efficiently.
- Powerful spiral mixing increases water absorption by dough, thus increasing volume and assuring uniform texture.
- Instant-response servo-limit switch for safety.
- Bowl may be set to rotate either forward or backward.

Optional Features:

- Single phase converters available upon request on the DXP-SM020, DXP-SM30 and DXP-SM40.

**Due to continuous product improvement, specifications are subject to change without notice.

doughXpress

HIX Corporation Food Division

Product improvement may require us to change specifications without notice.
Revised January 2020

DOUGHXPRESS

1201 E. 27th Terrace
Pittsburg, KS 66762 USA

Toll Free: (800) 835-0606

Tel: (620) 231-8568

Fax: (620) 231-1598

doughxpress@hixcorp.com or visit www.doughxpress.com

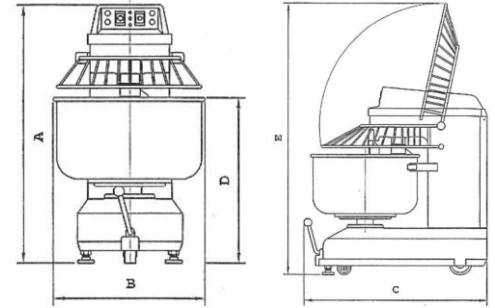
bakeryXpress

120 KG SERIES SPIRAL MIXER

Model No.
DXP-SM20
to **DXP-SM120**

Dimensions in Inches

Model	A	B	C	D	E
DXP-SM020	38	20	33	25	48
DXP-SM030	39	21	35	25	53
DXP-SM040	41	21	35	26	55
DXP-SM050	45	22	41	31	58
DXP-SM070	45	26	41	32	60
DXP-SM080	47	28	45	32	67
DXP-SM120	51	32	48	34	71



Capacity Chart & Electrical

Model	Flour kg/lb	Dough kg/lb	Bowl Size	Volts	Phase	Amps	Watts	HZ	Nema Code
DXP-SM020	11/24	20/44	36QT	220	3	7.5	1650	60	Hard Wired
DXP-SM030	15/33	30/66	53QT	220	3	10	2200	60	Hard Wired
DXP-SM040	25/55	40/88	73QT	220	3	12	2640	60	Hard Wired
DXP-SM050	30/66	50/110	84QT	220	3	15	3300	60	Hard Wired
DXP-SM070	40/88	70/154	105QT	220	3	17	3740	60	Hard Wired
DXP-SM080	50/110	80/176	127QT	220	3	23	5060	60	Hard Wired
DXP-SM120	80/176	120/264	190QT	220	3	35	7700	60	Hard Wired

*When mixing bagel dough and other stiffer doughs, you will need to reduce your capacity by 30%

Shipping Information

Model	Net Weight	Crated Weight	Crate Dimensions (D x W x H)
DXP-SM020	328lbs / 149kg	370lbs / 168kg	27" x 36" x 46"
DXP-SM030	405lbs / 184kg	450lbs / 204kg	28" x 42" x 48"
DXP-SM040	452lbs / 204kg	629lbs / 285kg	28" x 42" x 50"
DXP-SM050	901lbs / 409kg	1059lbs / 479kg	28" x 48" x 54"
DXP-SM060	990lbs / 449kg	1147lbs / 520kg	30" x 49" x 55"
DXP-SM080	1146lbs / 520kg	1345lbs / 610kg	34" x 49" x 53"
DXP-SM120	1869lbs / 848kg	1400lbs / 635kg	36" x 52" x 59"

**Due to continuous product improvement, specifications are subject to change without notice.

doughXpress

HIX Corporation Food Division

Product improvement may require us to change specifications without notice.
Revised January 2020

DOUGHXPRESS

1201 E. 27th Terrace
Pittsburg, KS 66762 USA

Toll Free: (800) 835-0606

Tel: (620) 231-8568

Fax: (620) 231-1598

doughxpress@hixcorp.com or visit www.doughxpress.com