

# DISPLAY REFRIGERATOR

## Model: 2RESNSGD

Natural Refrigerant R-290 Model

### 2-Section Extra-Wide Display Reach-In Refrigerator with Sliding Glass Doors - Shallow Depth

**2RESNSGD** - Stainless steel front, aluminum end panels and interior

**2RESNSASGD** - Stainless steel exterior, aluminum interior

**2RESNSSGD** - Stainless steel exterior and interior

Designed to maintain NSF-7 temperatures in 100°F ambient.



## Options and Accessories

(upcharge and lead times may apply)

Stainless steel case back	Wine rack
Additional epoxy coated steel shelves	Adjustable legs
Chrome or stainless steel shelves	Expansion valve
Heavy duty pilaster strips	Special electrical requirements (consult factory)

Consult factory for other model configurations, options and accessories.

**Continental**<sup>®</sup>  
Refrigerator



Project Name:

Model Specified:

Location:

Item No:

Quantity:

AIA #:

SIS #:

## Standard Model Features

### REFRIGERATION SYSTEM

Self contained, performance rated refrigeration system

Natural, environmentally safe, high efficiency R-290 refrigerant<sup>1</sup>

Automatic, electric condensate evaporator

### CABINET ARCHITECTURE

3" non-CFC polyurethane foam insulation

Double-pane, tempered sliding glass doors

Snap in door wiper

Door locks

Self-closing doors

High efficiency Black PVC frame

Heavy duty, epoxy coated steel shelves

5" casters

### MODEL FEATURES

LED interior lighting

Electronic control, off cycle defrost

<sup>1</sup> R-290 refrigerant meets all federal and state regulatory requirements.

APPROVAL:

# Model Specifications

## DIMENSIONAL DATA

Net Capacity (cubic feet)	40 (1133 cu l)
Width, Overall (inches)	57 (1448 mm)
Depth, Overall (inches) (including grill)	27 7/8 (708 mm)
Depth (inches) (less grill)	25 7/8 (657 mm)
Clear Door Width (inches)	21 7/8 (556 mm)
Clear Door Height (inches)	54 3/4 (1391 mm)
Height, Overall (inches) (including 5" casters)	82 1/4 (2096 mm)
Number of Doors	2
Number of Shelves	8
Shelf Area (square feet)	44.5 (4.1 sq m)

## REFRIGERANT DATA

Condensing Unit Size (H.P.)	1/3+
Capacity (BTU per hour)*	2560

## ELECTRICAL DATA

Voltage (International)	115/60/1 (220/50/1)
Feed Wires (including ground)	3
Total Amps (International)	8.4 (5.1)
10 ft. Cord/Plug [attached] (International)	Yes (No)

## SHIPPING DATA

Height - Crated (inches)	85 1/2 (2172 mm)
Width - Crated (inches)	64 (1626 mm)
Depth - Crated (inches)	42 (1067 mm)
Volume - Crated (cubic feet)	133 (3766 cu l)
Weight Std - Crated (pounds)	461 (210 kg)
Weight SS - Crated (pounds)	554 (252 kg)

\* Rating @ +25°F evaporator, 90°F ambient  
 Figures in parentheses reflect metric equivalents rounded to the nearest whole unit.



Equipped with one NEMA-5-15P Plug  
 (varies by country)



Toll-Free: 800-523-7138  
 Phone: 215-244-1400  
 Fax: 215-244-9579

539 Dunksferry Road  
 Bensalem, PA 19020  
[www.continentalrefrigerator.com](http://www.continentalrefrigerator.com)

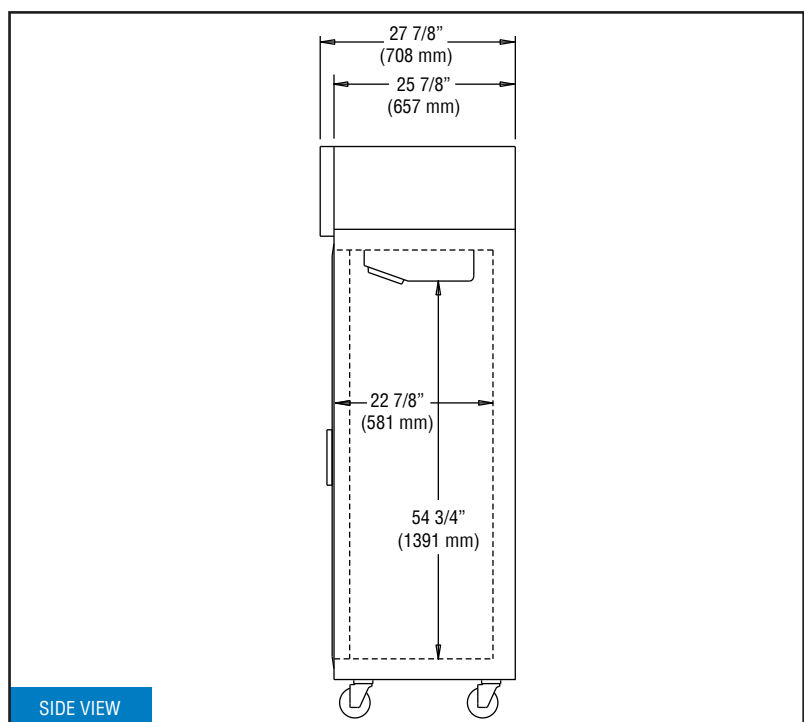
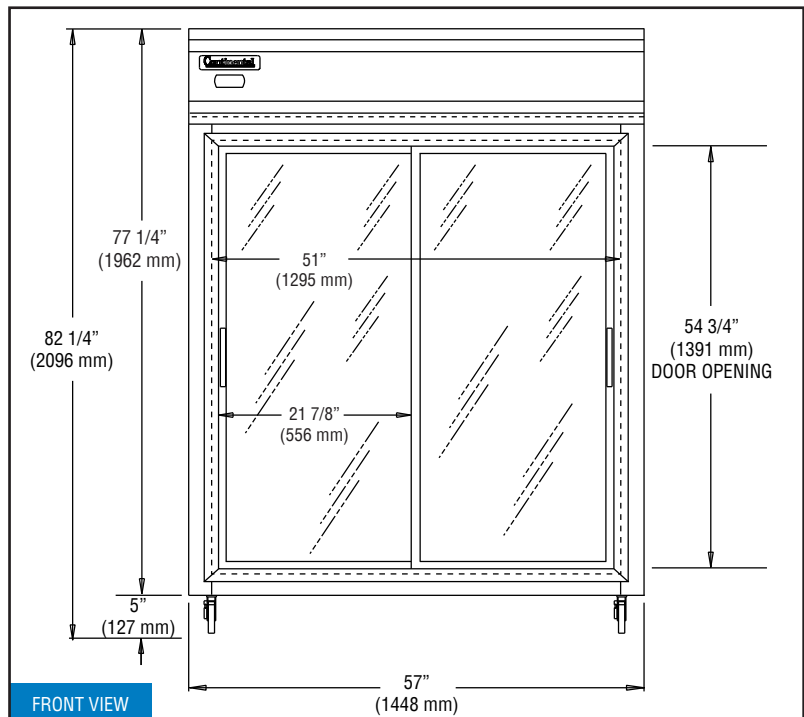
Due to our continued efforts in developing innovative products, specifications subject to change without notice.



PROUDLY  
 DESIGNED & ASSEMBLED  
 IN THE U.S.A.

© Copyright 2021. Continental Refrigerator.  
 A Division of National Refrigeration & Air Conditioning Products, Inc.

# Model Plan Views



**IMPORTANT NOTE:** If the cabinet is located directly against a wall and/or under a low ceiling, a minimum clearance of 12" is required on top and 3" on sides and rear.

REVISED: 3/25/24