



# HURAKAN

## Heavy Duty Gas Griddles HKN-PSXGL24A - 2 burners

### Manual

Item #: HKN-PSXGL24A/US Project: \_\_\_\_\_  
 Qty: \_\_\_\_\_ Date: \_\_\_\_\_ Approval: \_\_\_\_\_



### Features

- 1 Maxitrol gas regulator
- 2 250F - 450F
- 3 3, 4" Adjustable stainless steel legs
- 4 Gas conversion kit
- 5 3/4" thick plate

### Technical Data

Width	24 Inches
Depth	26 Inches
Height	15 6/8 Inches
Cooking Surface Width	23 5/8 Inches
Cooking Surface Depth	19 Inches
Backsplash	With Backsplash
Burner BTU	30000
Burner Style	U-Shaped
Control Type	Manual
Cooking Surface Material	Mild steel

### Certifications



ETL, US



ETL Sanitation



3/4" Gas Connection



Field Convertible (Gas)

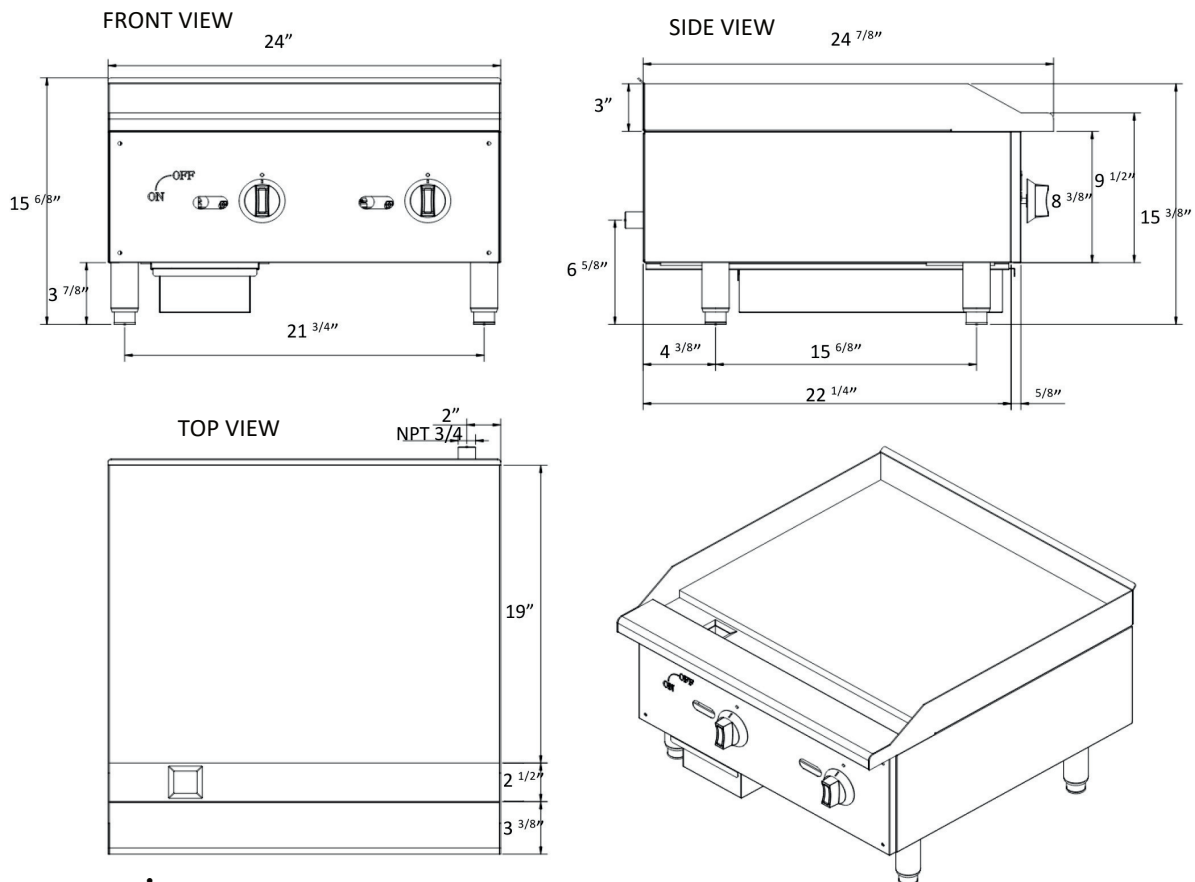
[www.equip.me](http://www.equip.me)



## Technical Data

Features	
Gas Inlet Size	3/4 Inches
Installation Type	Countertop
Number of Burners	2 Burners
Number of Controls	2
Plate Thickness	3/4 Inches
Power Type	Natural Gas
Total BTU	60000
Type	Griddles
Usage	Medium Duty

## Plan View





## Notes & Details

The Gas Griddle 24" with Manual Control is a professional-grade cooking appliance designed for optimal performance and durability. Here are some key features:

- 1. Robust Burner Configuration:** The griddle features a robust cast iron H-shape burner configuration, with each burner delivering 30,000 BTU/hr. This design ensures even heat distribution for consistent cooking results.
- 2. Precise Temperature Management:** With one control knob every 12 inches, users have precise control over the cooking temperature, allowing for tailored cooking experiences.
- 3. Standby Pilot for Easy Ignition:** The standby pilot facilitates easy ignition, ensuring quick and hassle-free startup.
- 4. Durable Griddle Plate:** The griddle plate is constructed with 3/4" thick steel, ensuring durability and even heat distribution across the cooking surface.
- 5. Adjustable Heavy-Duty Legs:** Stainless steel adjustable heavy-duty legs provide stability on any surface, ensuring the griddle remains steady during use.
- 6. Elegant Design:** Zinc alloy knobs with chrome coating add a touch of elegance to the griddle's design, enhancing its aesthetic appeal.
- 7. Easy Cleanup:** An oil collector at the bottom of the griddle ensures easy cleanup, making maintenance simple and convenient.
- 8. Versatility:** The griddle offers the option for easy conversion from natural gas to propane, expanding its versatility and compatibility with different fuel sources.
- 9. Wide Range of Sizes:** Available in widths ranging from 24" to 60", catering to various kitchen sizes and cooking needs.
- 10. Durable Construction:** Constructed with stainless steel on the front and sides, the griddle offers reliable performance and durability in professional kitchen environments.

Overall, the Gas Griddle 24" with Manual Control offers professional-grade cooking performance, precise temperature management, durability, and versatility, making it an ideal choice for professional kitchens.

**Instructions and images in this manual are only for reference and may differ from the actual product. Launch the E-Manual.**