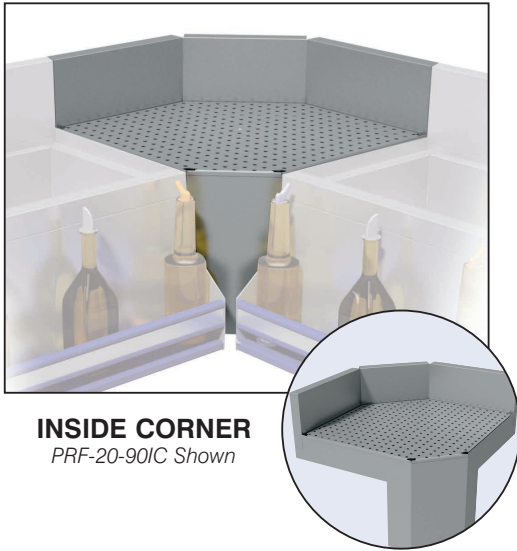
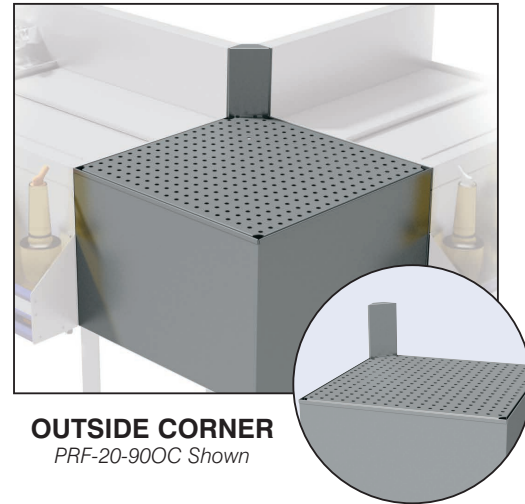


Item #: _____ Qty #: _____
 Model #: _____
 Project #: _____



INSIDE CORNER
PRF-20-90IC Shown



OUTSIDE CORNER
PRF-20-90OC Shown

FEATURES:

- 7" High X 1-3/4" Thick Backsplash.
- Must be Bolted to existing line-up equipment.
- Removable perforated drainboard top.
- Can be used on left or right side.

MECHANICAL:

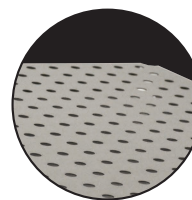
- 1" IPS drain.
- Removable perforated drainboard top.

MATERIAL:

- 20 gauge, 300 stainless steel.
- Drainboard:** 18 gauge, 300 stainless steel.

	Model #	Overall Size L x W x H	C	D	Approx. Weight	Approx. Cu. Ft.
INSIDE CORNER	PRF-20-90IC	20" x 36 1/4" x 21 5/8"	15 1/2"	11 7/8"	82 lbs.	16
	PRF-25-90IC	25" x 43 3/8" x 21 5/8"	15 1/2"	19"	84 lbs.	16
OUTSIDE CORNER	PRF-20-90OC	21" x 29 1/2" x 21 5/8"	20"	-	82 lbs.	16
	PRF-25-90OC	26" x 36 5/8" x 21 5/8"	25"	-	84 lbs.	16

PLEASE NOTE: FILLERS BUILT TO ORDER & CAN NOT BE RETURNED



**Removable Perforated
Drainboard Top Included**

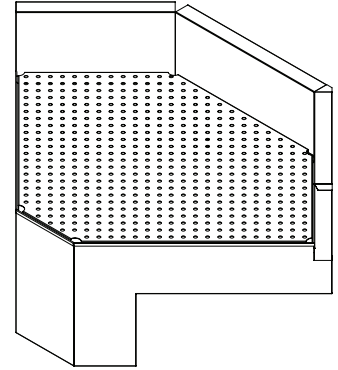
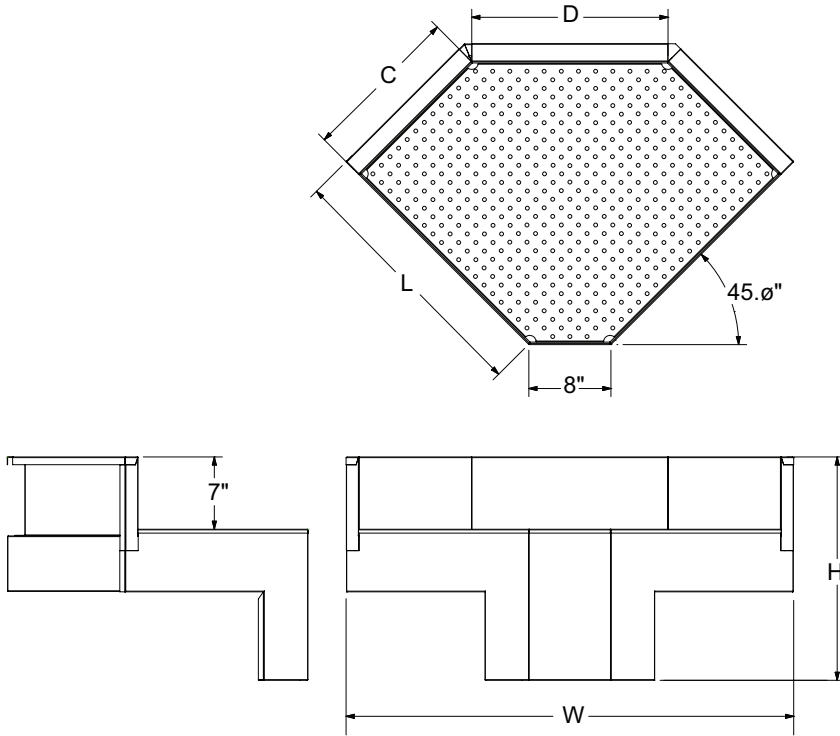
OPTIONAL STAINLESS STEEL LEGS W/ ADJUSTABLE STAINLESS STEEL BULLET FEET & CUSTOM SIZES AVAILABLE
 Consult Factory For Details

DIMENSIONS and SPECIFICATIONS

TOL Overall: $\pm .500"$ Interior: $\pm .250"$

ALL DIMENSIONS ARE TYPICAL

PRF Inside Corner Series (IC)



PRF Outside Corner Series (OC)

