



STAINLESS STEEL Pedestal Base For Prestige Underbar Equipment

Model: **SU-PED**



Side panel cut-outs
for continuous
pass-through

Item #: _____ Qty #: _____

Model #: _____

Project #: _____

FEATURES:

Pedestal base replaces legs for modern aesthetics and cleanability

Prevents moisture and gunk build up under the bar

Can be sealed to floor

Removable front panel for access from front

Back and floor are open for access from rear and to floor drains

Side panel cutouts for continuous access for plumbing, hoses, and soda/beer lines (solid end panels by request)

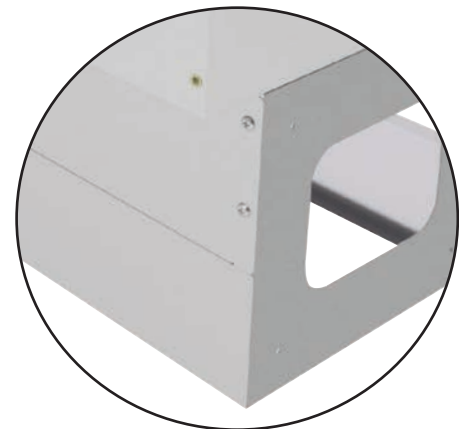
Great for retrofits

MATERIAL:

16 gauge, 300 stainless steel structure

20 gauge, 302 stainless steel toe-kick plate

Galvanized stainless steel structure
(Stainless steel available)



Removable Front Panel
For Easy Access



Customer Service Available To Assist You **1-800-645-3166** 8:30 am - 7:00 pm E.S.T.

For Orders & Customer Service:

Email: customer@advancetabco.com or Fax: 631-242-6900

For Smart Fabrication™ Quotes:

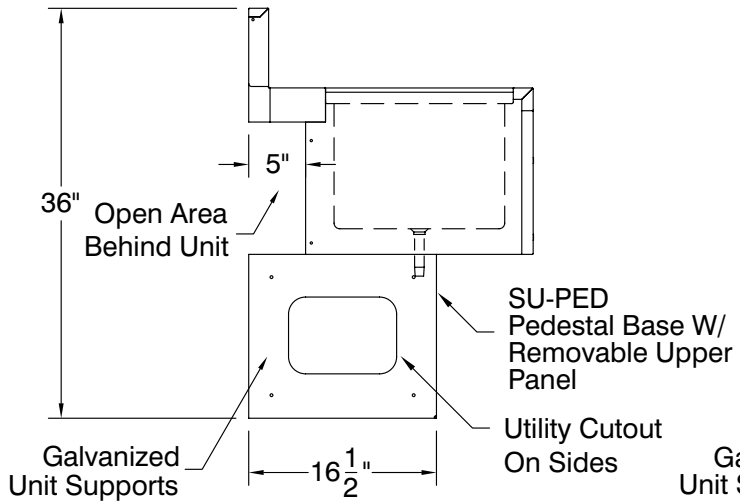
Email: smartfab@advancetabco.com or Fax: 631-586-2933

DIMENSIONS and SPECIFICATIONS

TOL Overall: ± .500" Interior: ± .250"

ALL DIMENSIONS ARE TYPICAL

24 Series Unit On SU-PED



19 Series Unit On SU-PED

