

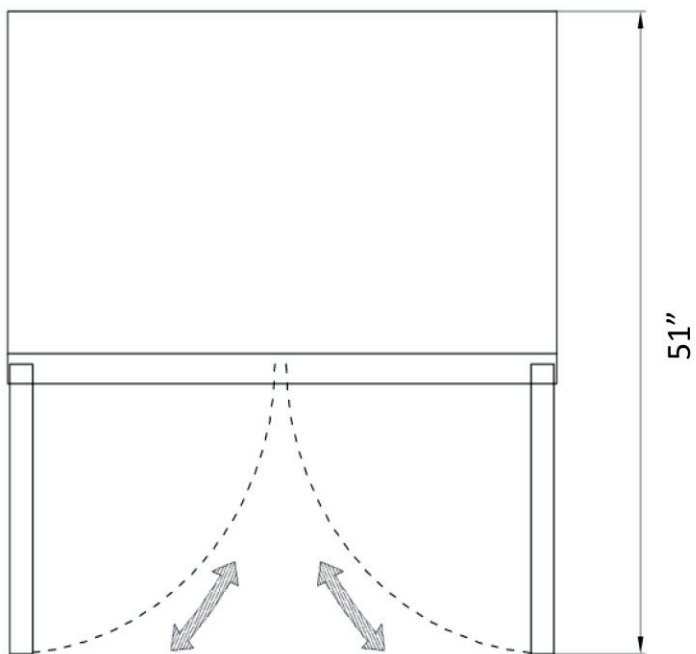
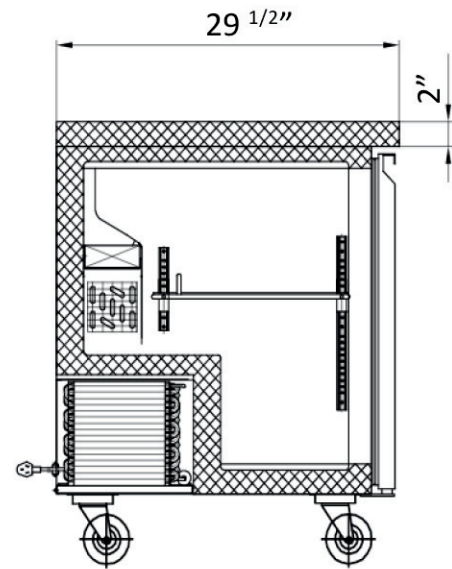
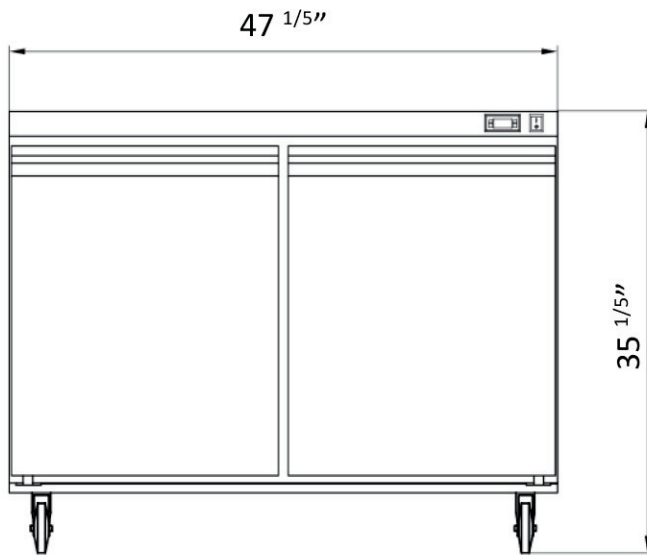


Technical Data

| | |
|---------------------------|---|
| Hertz | 60 Hertz |
| Phase | 1 Phase |
| Voltage | 115 Volts |
| Access Type | Doors |
| BTU (LBP) | 1365 BTU NUT70NR1 |
| Capacity | 12 cu.ft. |
| Compressor Location | Rear Mounted |
| Compressor Style | Side / Rear Breathing |
| Door Style | Swing |
| Door Type | Solid |
| Features | Removable Magnetic Door Gaskets Self-Closing Doors |
| Horsepower | 1/4+ HP |
| Individual Shelf Capacity | 88 lb. |
| Number of Doors | 2 Door |
| Number of Shelves | 2 Shelf |
| Plug Type | NEMA 5-15P |
| Refrigerant Capacity | 3.9 oz. |
| Refrigerant Type | R290 |
| Temperature Range | -8°F - 0°F |
| Top Capacity | 441 lb. |
| Type | Freezer |
| | Undercounter |



Plan View





Notes & Details

The under-counter unit stands out as a space-saving marvel, seamlessly integrating into existing kitchen setups with its compact design. Its undercounter placement eliminates the need for extra floor space, making it a perfect choice for kitchens where every square inch counts. This strategic positioning not only enhances the aesthetics of the kitchen but also optimizes workflow by providing convenient access to chilled items right where they're needed, streamlining food preparation and service processes.

Moreover, the under-counter design showcases thoughtful engineering, ensuring that cold storage space is maximized without sacrificing functionality. Its efficient use of space makes it an indispensable asset for busy commercial kitchens, allowing chefs and staff to work efficiently without compromising on food storage needs. The adjustable shelves within the unit provide flexibility for organizing items of various sizes, further enhancing its usability.

Furthermore, the under-counter unit's stainless steel construction and reliance on R290 refrigerant demonstrate a commitment to durability and sustainability. Stainless steel is known for its strength and corrosion resistance, making it an ideal material for commercial kitchen equipment that requires frequent use and cleaning. Additionally, R290 refrigerant has a low environmental impact, contributing to eco-conscious operation and reducing the unit's carbon footprint.

In essence, the under-counter unit earns praise for its innovative design, space-saving features, durability, and eco-conscious operation. Its seamless integration into kitchen layouts, efficient use of space, and reliable performance make it an invaluable addition to any professional kitchen setting, enhancing productivity and sustainability.

ETL Sanitation



Intertek

This product has been certified by ETL, a division of the Intertek Group, to meet applicable sanitation standards required for use in the United States and Canada.

5-15P



5-15P

This unit comes with a NEMA 5-15P plug

ETL, US



Intertek

This product has been certified by ETL, a division of the Intertek Group, to meet applicable electrical product safety standards required for use in the United States.