



YOU CAN TRUST

## ECONOMY SLICERS

### 312ECF



### ITALIAN BLADE

Features chromium-plated steel knife made in Italy.



**312ECF**  
12" HEAVY DUTY SLICER

### STANDARD FEATURES

- This economy yet heavy duty 12" Slicer will handle your meat and cheese slicing needs with ease thanks to their 1/2 HP motor.
- Top mounted sharpener always ready to use. Stones edge swings clear of blade when not in use. Grinding and honing stones can be used independently or simultaneously.
- Features gravity feed chute set at a 45 degree angle.
- Chromium plated steel knife made in Italy ensures precision cuts.
- Carriage, gauge plate and knife cover easily removable without tools and streamlined design, rounded corners make thorough cleaning practical and easy.
- Cheese slicing can be performed for approximately 2 hours per day on an intermittent way.

ILLUSTRATIVE PHOTO, ACTUAL PRODUCTS AND ACCESSORIES ARE SUBJECT TO CHANGE WITHOUT NOTICE.



**Skyfood Equipment LLC**  
175 SW 7th Street, Ste 2416  
Miami, FL 33130

**Toll Free:**  
1-800-503-7534  
sales@skyfood.us

[www.skyfood.us](http://www.skyfood.us)



Follow us to keep up to date with the latest news and offers

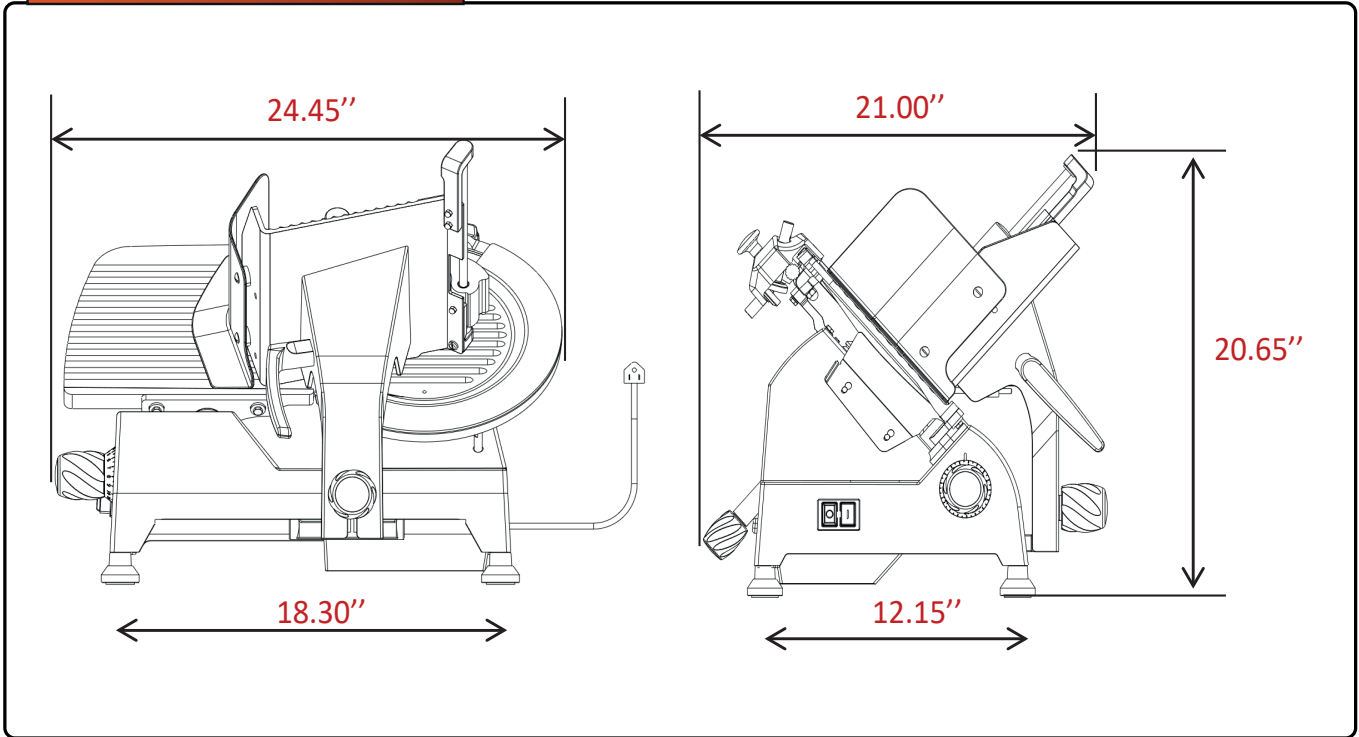
/SkyfoodEquipment

/SkyfoodEquipment

/SkyfoodEquipment



**DIMENSIONS**



**WARRANTY 01 YEAR PARTS AND LABOR VALID IN THE CONTINENTAL UNITED STATES.**

**WARNING:**  
CALIFORNIA RESIDENTS ONLY -  
Cancer and Reproductive Harm -  
[www.P65Warnings.ca.gov](http://www.P65Warnings.ca.gov)



Item	Voltage	Power Rating	Amps	Dimensions (W x D x H)	Weight (Net x Ship)	Blade	Cutting (W x H)	Max. Slice	PLUG
312ECF	110 V	1/2 HP	4	25" x 21" x 21"	58 lb x 66 lb	12"	8-1/2"x10"	5/8"	NEMA 5-15P



**Skyfood Equipment LLC**  
175 SW 7th Street, Ste 2416  
Miami, FL 33130

**Toll Free:**  
1-800-503-7534  
sales@skyfood.us

[www.skyfood.us](http://www.skyfood.us)

