



www.BakeMax.com

Project: _____

Item: _____

Qty: _____ Date: _____

BakeMax BMBPD915 55" Gas Pizza Stone Hearth Deck Oven

BakeMax Deck Ovens are reliable and versatile solutions designed for professional baking applications. The oven features independently controlled top and bottom heat for perfectly balanced results. Oven exteriors are all heavy-duty stainless steel and are fully insulated for cooler outer temperatures and consistent interior temperatures.



Features:

- Oven exteriors are all heavy-duty stainless steel and are fully insulated for cooler outer temperatures and consistent interior temperatures
- This series is constructed with heavy duty angle iron frame, which is fully welded to allow for double stacking
- The oven chamber features two refractory baking stones with an 8" deck height and independently controlled top and bottom heat for perfectly balanced results
- Temperature Range of 0-752°F
- Spring-balanced, fully insulated doors.
- Oven Inner Dimensions: 36" W x 36" D
- Combination gas controls with gas valve, gas regulator, and pilot safety.
- Independently controlled top and bottom heat dampers.
- Heavy duty, slide-out flame diverters
- Left-side or rear 3/4" (19mm) NPT gas connection.
- Heavy duty, slide-out flame diverters
- 58,000 total BTU per Deck
- Natural or LP Gas with Thermostatic Temperature Controls
- 1-Year Limited Warranty



Intertek



Intertek



Product Specifications:




- Product Dimensions (WDH): 55" x 48" x 62"
- Product Weight: 982 lbs.

Shipping Specifications:

- Shipping Dimensions (WDH): 57" x 50" x 29"
- Shipping Weight: 1092 lbs.

BakeMax® / Titan Ventures International Inc.

Warehouses:

20 Caribou St, Moncton, NB E1H 0P3 
5705 Valley Belt Rd Independence, OH 44131 
1201 E 27th Terrace Pittsburg, KS 66762 

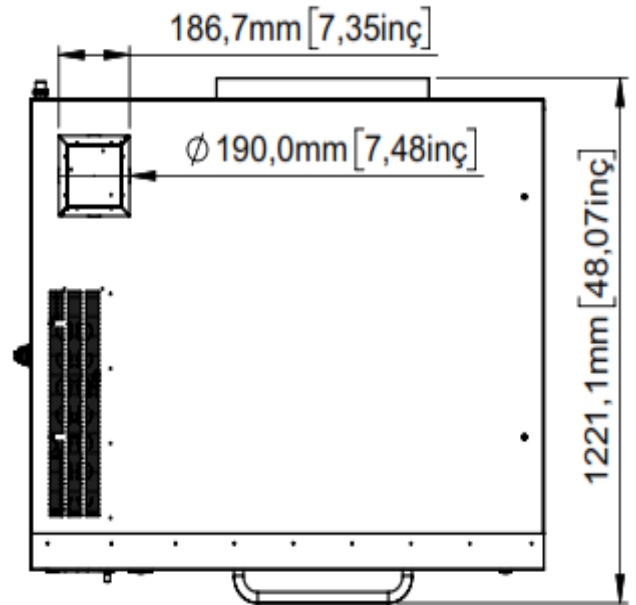
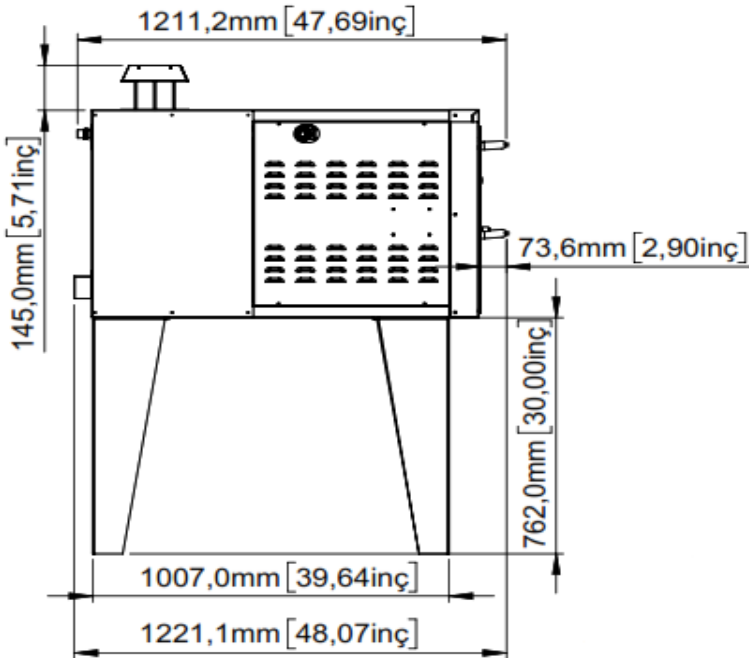
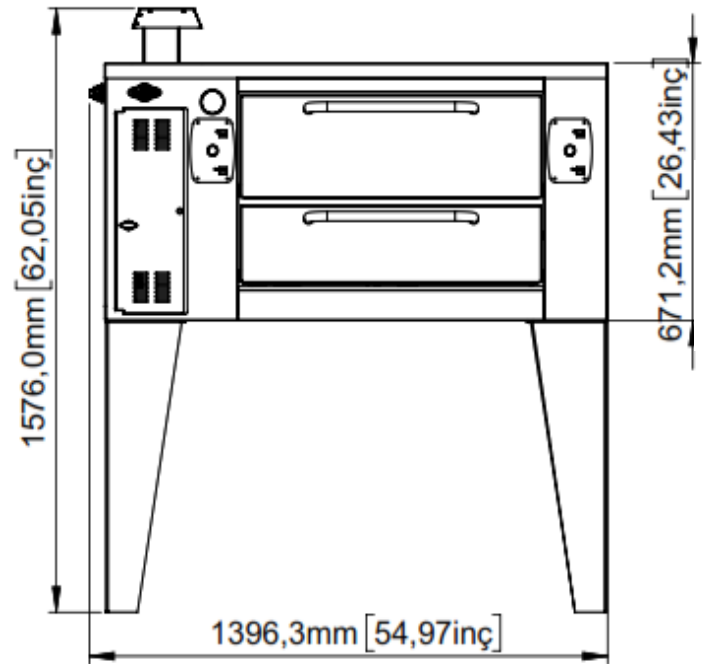
Toll Free: 1-800-565-BAKE (2253)

Phone: 506-858-8990

Fax: 506- 859-6929




Email: Sales@BakeMax.com

BakeMax BMBPD915 55" Gas Pizza Stone Hearth Deck Oven



BakeMax® / Titan Ventures International Inc.

Warehouses:

20 Caribou St, Moncton, NB E1H 0P3 
5705 Valley Belt Rd Independence, OH 44131 
1201 E 27th Terrace Pittsburg, KS 66762 

Toll Free: 1-800-565-BAKE (2253)

Phone: 506-858-8990

Fax: 506- 859-6929

Email: Sales@BakeMax.com