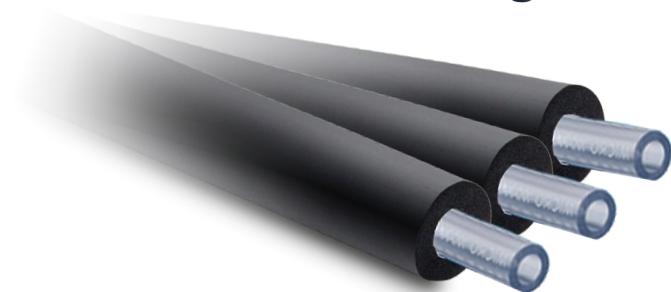


- Minimal space remote tower for back bar service.
- Fresh, filtered, chilled “tap” water.
- Eliminate packaging, and disposal/recycling of glass and plastic bottles.
- Choice On Tap: ambient, chilled, chilled sparkling.



H2O-UCM-X-KIT



Specifications

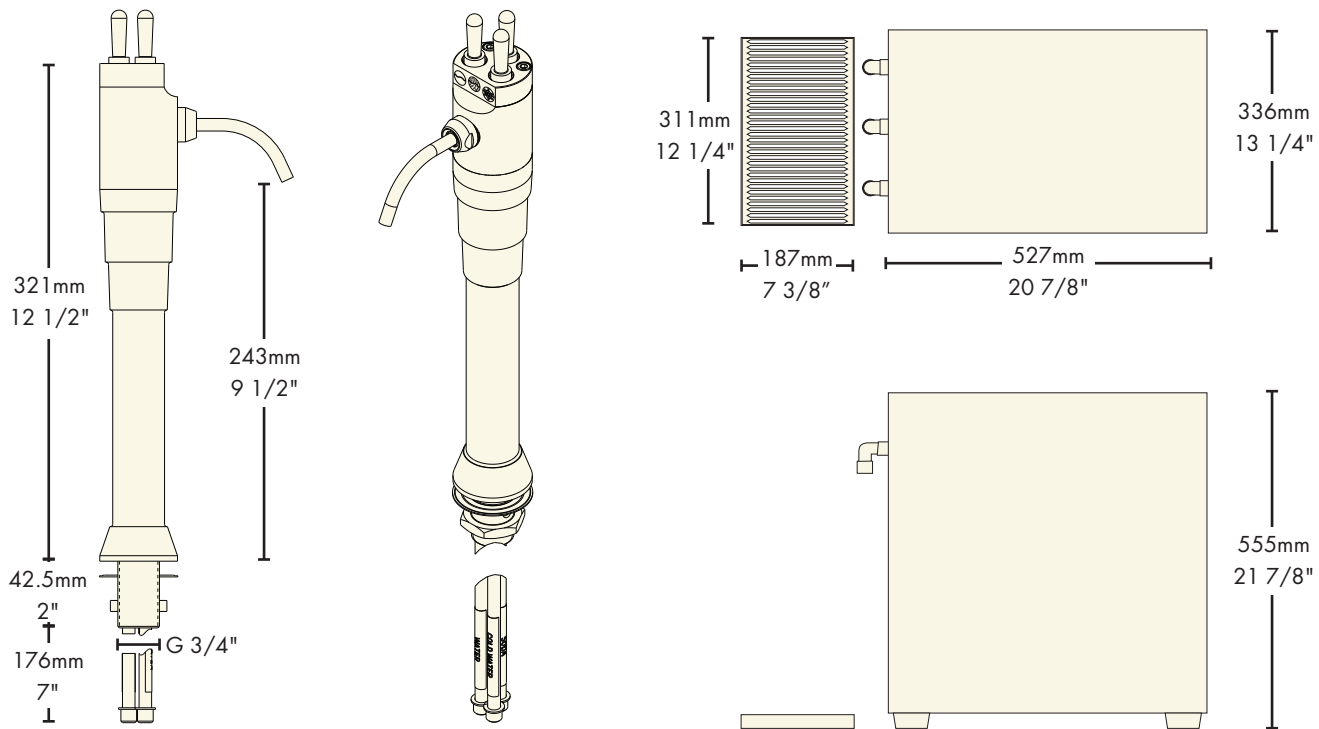
Micro Matic reserves the right to change specifications without notice. **AUTOQUOTES**

Part No.	Description	Shipping Weight	Box Dimensions
<input type="checkbox"/> H2O-UCM-X-KIT	Chrome single faucet tower with 3 dispense choices, undercounter mounted water dispenser, includes insulated hoses, water regulator & filter, high-pressure CO2 regulator.	56 kg	TBD
		124 lbs	TBD

Operating Performance & Maintenance

Capacity per Hour	26 gallons	Pressure Set Difference Water vs CO2	8 PSI
Volts	120 / 60	Maximum Temperature Setting	9
Dedicated Circuit Required	15 Amp	Water Contact Metal	316 Grade Stainless Steel
Condenser HP	1/4	High Pressure CO2 Regulator	120 PSI Maximum Output
Plug Type	NEMA-5-15P	Water Filter	1 Gallon per minute
Approvals	UL & NSF Listed	Water Filter Composition	Synerized Activated Carbon
Chiller/Carbonator Exterior	18 gauge stainless steel top, sides and back	Full Ice Bank Capacity	Approximately 3 Hours
Ventilation	Front and side ventilated	Daily Cleaning	Clean faucets daily with food safe detergent or water/vinegar using the brush provided.
Minimum Water Inlet Pressure	30 PSI	6 Months Cleaning	Line Cleaning
Maximum Water Inlet Pressure	86 PSI	Condenser Grills	Must be clear of dust, dirt & debris at all times
Minimum CO2 Inlet Pressure	37.5 PSI		
Maximum CO2 Inlet Pressure	75 PSI		

Dimensions



Copyright ©2013 Micro Matic USA, Inc. All Rights Reserved.

01342.D0413



www.micromatic.com

Toll Free: 1-(866) 327-4159

West	Central	Southeast	Northeast
19791 Bahama Street Northridge, CA 91324 Tel. (818) 701-9765 Fax. (818) 701-9844	10726 North Second Street Machesney Park, IL 61115 Tel. (815) 968-7557 Fax. (815) 968-0363	2364 Simon Court Brooksville, FL 34604 Tel. (352) 799-6331 Fax. (352) 796-2429	4601 Saucon Creek Road Center Valley, PA 18034 Tel. (610) 625-4464 Fax. (610) 625-4466