



Profit from the Eagle Advantage®

# Specification Sheet

## Short Form Specifications

Eagle Chemical Storage Wall Cabinet, model \_\_\_\_\_, Available with heavy gauge type 300 or 430 series stainless steel construction, with stainless steel fixed center shelf and top sloped for cleaning. Back is recessed, with concealed mounting plate for installation. Available with left- or right-hinged door, with or without factory-installed door lock. Door is double-panel stainless steel, with magnetic catch, and removable for cleaning. All units are 24" (610mm) end-to-end, 15" (381 mm) front-to-back.



model #WCH-24C-LL

Item No.:	_____
Project No.:	_____
S.I.S. No.:	_____

## Chemical Storage Wall Cabinets

### MODELS:

- |                                     |                                      |
|-------------------------------------|--------------------------------------|
| <input type="checkbox"/> WCH-24C-L  | <input type="checkbox"/> WCH4-24C-L  |
| <input type="checkbox"/> WCH-24C-LL | <input type="checkbox"/> WCH4-24C-LL |
| <input type="checkbox"/> WCH-24C-R  | <input type="checkbox"/> WCH4-24C-R  |
| <input type="checkbox"/> WCH-24C-RL | <input type="checkbox"/> WCH4-24C-RL |

### Design and Construction Features

- Units available with 300 or 430 series stainless steel construction.
- Top is sloped forward to help reduce dust build-up.
- Stationary center shelf features safety edges. Additional shelves can be specified and are factory installed.
- Ends, back and bottom are folded and spot-welded together. All feature safety edges.
- Back is recessed, with full-length concealed mounting plate for easy installation\*. "Z"-brackets included.
- Both side panels are vented.
- Cabinets are available left- or right-hinged stainless steel doors, with or without door lock.
- All doors are double-panel and removable for easy cleaning.

\* Wall mounting hardware not included.

### EAGLE GROUP

100 Industrial Boulevard, Clayton, DE 19938-8903 USA  
 Phone: 302-653-3000 • 800-441-8440 • Fax: 302-653-2065  
[www.eaglegrp.com](http://www.eaglegrp.com)  
[www.eaglegrpnews.com](http://www.eaglegrpnews.com)  
[www.eaglemhc.com](http://www.eaglemhc.com)

For custom configuration or fabrication needs, contact our **SpecFAB® Division**.  
 Phone: 302-653-3000 • Fax: 302-653-2065 • e-mail: [quotes@eaglegrp.com](mailto:quotes@eaglegrp.com)



EG20.11 Rev. 01/23

**Spec sheets available for viewing, printing or downloading from our online literature library at our websites**

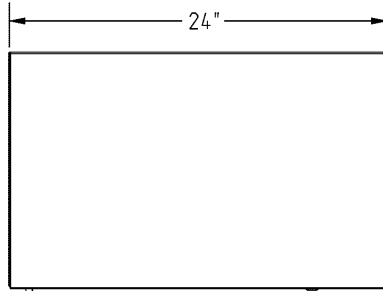
*Eagle Foodservice Equipment, Eagle MHC, and SpecFAB® are divisions of Eagle Group. ©2023 by the Eagle Group*



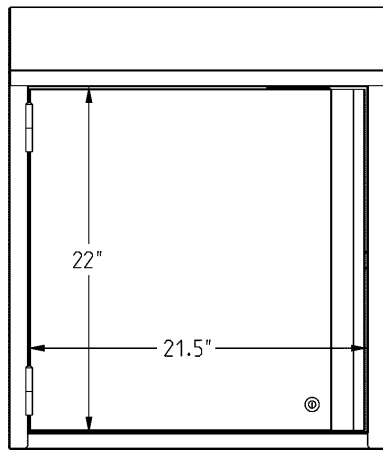
Profit from the Eagle Advantage®

Item No.: \_\_\_\_\_  
 Project No.: \_\_\_\_\_  
 S.I.S. No.: \_\_\_\_\_

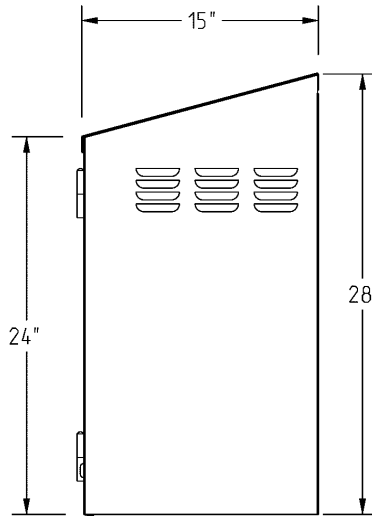
## Chemical Storage Wall Cabinets



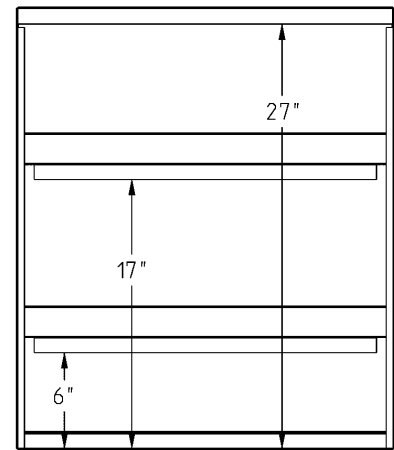
TOP VIEW



FRONT VIEW



SIDE VIEW



REAR VIEW

(model #WCH-24C-LL shown)

description	length x width		weight		Type 300	Type 430
	in.	mm	lbs.	kg	model #	model #
all stainless steel, with left-hinged door	24" x 15"	610 x 381	116	52.6	<b>WCH-24C-L</b>	<b>WCH4-24C-L</b>
all stainless steel, with left-hinged door with key lock	24" x 15"	610 x 381	116	52.6	<b>WCH-24C-LL</b>	<b>WCH4-24C-LL</b>
all stainless steel, with right-hinged door	24" x 15"	610 x 381	116	52.6	<b>WCH-24C-R</b>	<b>WCH4-24C-R</b>
all stainless steel, with right-hinged door with key lock	24" x 15"	610 x 381	116	52.6	<b>WCH-24C-RL</b>	<b>WCH4-24C-RL</b>

### EAGLE GROUP

100 Industrial Boulevard, Clayton, DE 19938-8903 USA

Phone: 302-653-3000 or 800-441-8440 • Fax: 302-653-2065

www.eaglegrp.com • www.eaglegrpnews.com • www.eaglehmc.com

Printed in U.S.A.

©2023 by Eagle Group

Rev. 01/23

Spec sheets available for viewing, printing or downloading from our online literature library at our websites

Although every attempt has been made to ensure the accuracy of the information provided, we cannot be held responsible for typographical or printing errors. Information and specifications are subject to change without notice. Please confirm at time of order.