



PROJECT

ITEM NO:

QUANTITY:

Stainless Steel Work Tables

Open Base With Stainless Steel Legs & Cross-Bars



NSF STD.2
Certified

FEATURES & CONSTRUCTION:

- Top is fabricated with 1-1/2" rounded edge on both working sides and flat edge on both ends.
- Table top edges formed with hemmed edges to provide extra rigidity and safe to touch finish.
- Reinforced table top with two stainless steel sound deadening hat channels. Note: Three sound deadening hat channels on 30" & 36" deep tables.
- All exposed welded areas smooth polished to brush finish sanitary #4.
- Adjustable stainless steel cross-bars with aluminum die cast fittings to secure cross-bars to legs for added stability.
- Welded stainless steel leg sockets with two point leg fastening.
- All tables shipped K.D., but easily assembled.



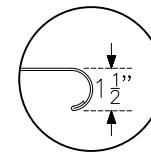
* 84" tables and longer come with 6 legs

MATERIAL:

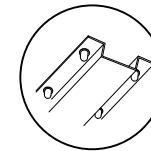
Top: 18 Gauge Stainless Steel - 400 series

Cross-Bar: 1-1/4" Stainless Steel Tubing

Leg: 1-5/8" Stainless Steel Tubing with 1" Adjustable Stainless Steel Bullet Feet



Roller Rim Edge
Front And Rear
Reinforced with
Hemmed Edge



Two (three on 30" & 36" deep) Hat Channel Reinforced Top. Attached to Underside of Top via Studs Welded to Underside of Top, Adhesive and Stainless Steel Acorn Nuts.



Aluminum Die Cast Fitting For Adjustable Cross-Bar



Stainless Steel Bullet Feet
1" Adjustable

Open Base Table With Stainless Steel Cross-bar & Legs

W	14"	18"	24"	30"	36"
L	MODEL NO.				
24"	SMTO-1424S	SMTO-1824S	SMTO-2424S	SMTO-3024S	SMTO-3624S
30"	SMTO-1430S	SMTO-1830S	SMTO-2430S	SMTO-3030S	SMTO-3630S
36"	SMTO-1436S	SMTO-1836S	SMTO-2436S	SMTO-3036S	SMTO-3636S
48"	SMTO-1448S	SMTO-1848S	SMTO-2448S	SMTO-3048S	SMTO-3648S
60"	SMTO-1460S	SMTO-1860S	SMTO-2460S	SMTO-3060S	SMTO-3660S
72"	SMTO-1472S	SMTO-1872S	SMTO-2472S	SMTO-3072S	SMTO-3672S
84"	SMTO-1484S	SMTO-1884S	SMTO-2484S	SMTO-3084S	SMTO-3684S
96"	SMTO-1496S	SMTO-1896S	SMTO-2496S	SMTO-3096S	SMTO-3696S
108"	SMTO-14108S	SMTO-18108S	SMTO-24108S	SMTO-30108S	SMTO-36108S
120"	SMTO-14120S	SMTO-18120S	SMTO-24120S	SMTO-30120S	SMTO-36120S



Rev. 01/21

SAPPHIRE MANUFACTURING
Tel: 718-543-2111
Fax: 718-543-2121

info@sapphiremanufacturing.com
WWW.SAPPHIREMANUFACTURING.COM



PROJECT

ITEM NO: _____

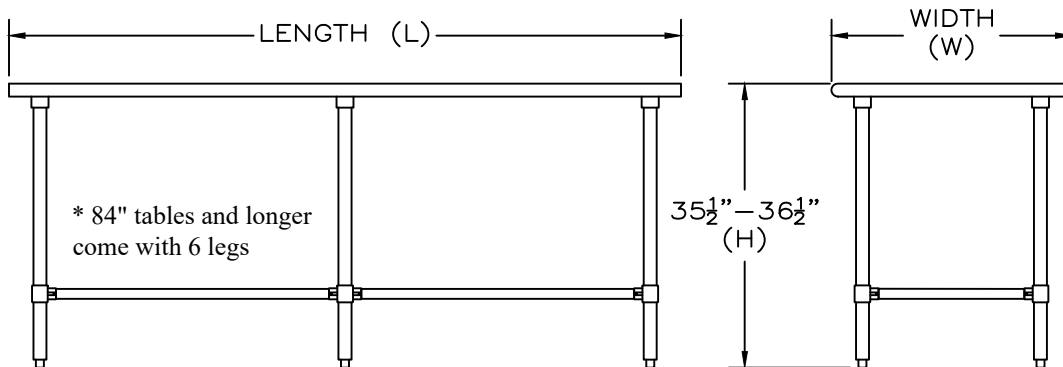
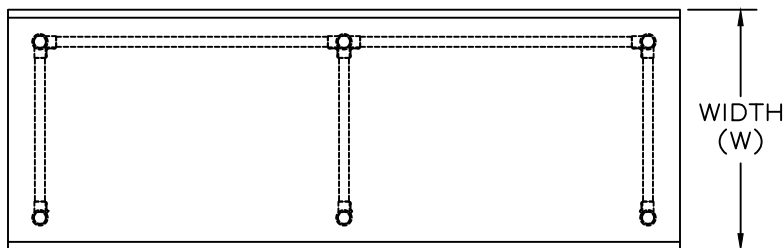
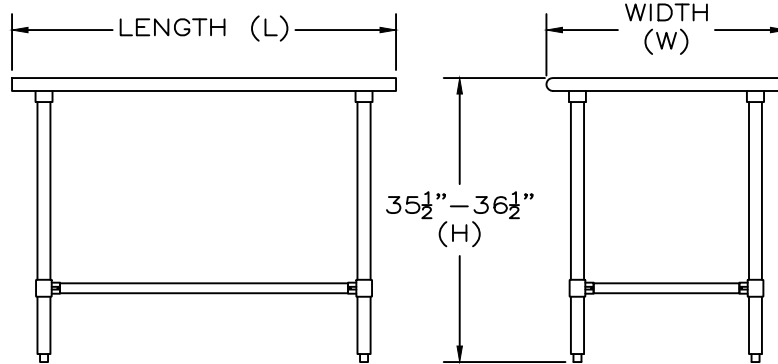
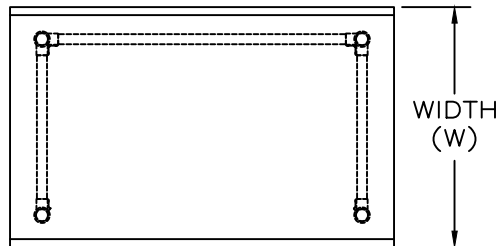
QUANTITY: _____

Stainless Steel Work Tables

Open Base With Stainless Steel Legs & Cross-Bars



NSF STD.2
Certified



Specifications subject to change without notice.

All dimensions are typical (Tolerance 1/2").



Rev. 01/21

SAPPHIRE MANUFACTURING
Tel: 718-543-2111
Fax: 718-543-2121

info@sapphiremanufacturing.com
WWW.SAPPHIREMANUFACTURING.COM