



Therma-Tek  
115 Rotary Drive, Valmont Industrial Park  
West Hazleton, PA 18202



TSM36



## COMMERCIAL GAS INFRA-RED SALAMANDER BROILER

### STANDARD FEATURES

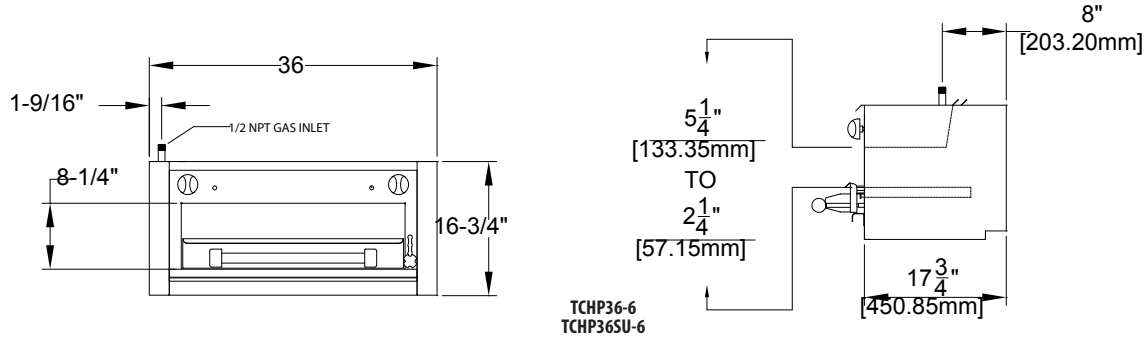
- \* Fully stainless steel exterior.
- \* Gas pressure regulator.
- \* Two steel wire mesh infra-red burners.
- \* 20,000 BTUs (5.86 kW per burner) .
- \* Each burner is individually controlled.
- \* Ignition by standing pilot for each burner.
- \* 365 sq. inches of rack space.
- \* Chrome plated rack.
- \* Rack has four adjustable positions.
- \* Rack carriage assembly rolls out for ease of loading and unloading.
- \* Heavy duty springs counter balance the assembly.
- \* Full width grease deflector channels hot drippings to a large capacity drip pan.
- \* Drip pan and rack carriage assembly are easily removed for cleaning.
- \* Two year limited parts and labor warranty.

### OPTIONAL FEATURES

- \* ICPK (interconnecting piping) between salamander and range.
- \* Stainless steel bottom.
- \* RMK (Range Mount Kit).
- \* CMK (Counter Mount Kit).
- \* WMK (Wall Mount Kit).
- \* Additional rack.



Therma-Tek  
115 Rotary Drive, Valmont Industrial Park  
West Hazleton, PA 18202



GAS REQUIREMENTS						
Operating Manifold Gas Pressure						
Natural		Propane		Manifold Connection	Input Rating per Burner	
"WC	mbar	"WC	mbar		Total BTU/Hr	kW
5	12.45	10	24.9	1/2" NPT	20,000	5.86

Model Number	Description	Total gas consumption per model		Gross Weight	
		Total BTU/Hr	kW	Lbs.	Kg
TSM36	Two infra-red burners	40,000	11.72	215	97.5

NOTE: Add suffix "N" for natural gas, and "L" for propane.

CLEARANCES	Sides	Back
Non Combustible	0"	0"
Combustible	6" (152.4 mm)	6" (152.4 mm)

**Installation Notes**

This product is NOT approved for residential use.  
Please advise us of installation over 2000ft. (610m) altitude.  
Installation clearance reduction applies only where local codes permit.  
All Therma-Tek products are covered by a two year limited parts and labor warranty.  
A detailed warranty is included with the appliance or is available upon request.  
Installation and/or operation by other than manufacturer's recommendations may void warranty.  
*Because of continuing product improvement, these specifications are subject to change without notice.*

