



# APOLLO



# MERCURIO L

## Juicers



APOLLO



Easy cleaning



Optional Stainless Steel Lid

- Commercial, imposing, efficient and easy to use heavy-duty citrus juicer range
- Anodized aluminum (Mercurio), ABS (Apollo) body, with no edges or seams for easy cleaning
- Removable AISI 304 stainless steel (dishwasher safe) juice bowl
- Reamer designed with 2 interchangeable cones to perfectly squeeze different sized fruits
- Patented, safety interlock reamer allows activating the juicer when the product is pushed down
- Powerful, ventilated motor with gear drive
- MERCURIO L features a top lever with a stainless steel cup and deflector to protect from spillage

### Features

#### Technical:

- The interlock system activates the juicer when the product is pushed down on the reamer. No need to start and stop the machine manually, increases yield.
- The 1/4 Hp motor is fan cooled. Its sealed ball bearing system and the direct gear transmission give a quiet and long lasting operation.
- The tall juice collector reduces splashes to minimum.
- The large spout allows for faster work.
- The internal structure is made from stainless steel for sturdiness and longer life.

#### Sanitary:

- Only hygienic materials, ABS and stainless steel, enter into contact with the fruit.
- The reamer and the juice collector are easily removable for cleaning.

### Specifications

**Construction Apollo:** Stainless steel juice bowl; ABS thermoplastic base and reamer.

**Construction Mercurio:** Stainless steel juice bowl; anodized aluminum base; ABS thermoplastic reamer and cones.

**Motor:** 1/4 Hp (150 W), direct transmission.

**Electrical:** 120V AC, 60Hz, 1.54 Amp. (220V, 50Hz available on request).

**Plug & Cord:** Flexible, 3 wire SJT AWG 16, 6' long.

**Controls:** ON/OFF rocker switch.

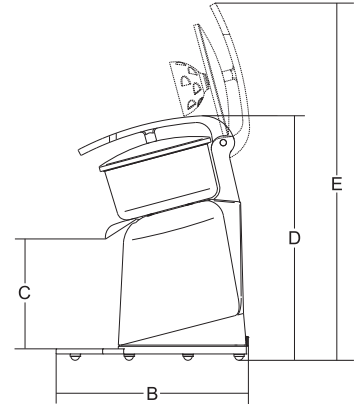
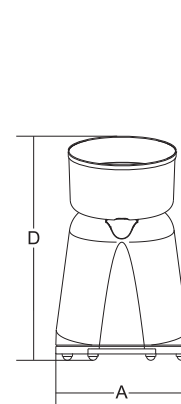
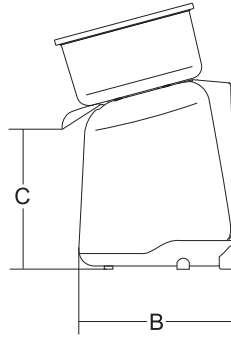
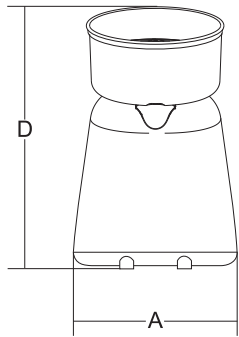


Certified to NSF Standard 08



Interchangeable cones to accommodate different sized fruits

**Mercurio L**



	Power	Power source	Speed	A	B	C	D	E	Net weight	Shipping	Gross weight
	watt/Hp		r.p.m.	inch.	inch.	inch.	inch.	inch.	lbs.	inch.	lbs.
<b>Apollo</b>	150/0,20	120V AC, 60Hz, 1.54 Amp.	320	8 <sup>1/4</sup> "	8 <sup>1/4</sup> "	6 <sup>1/8</sup> "	11"	-	7	13" x 11" x 15"	9
<b>Mercurio L</b>	150/0,20	120V AC, 60Hz, 1.54 Amp.	320	8 <sup>1/4</sup> "	11 <sup>13/16</sup> "	6 <sup>13/16</sup> "	15 <sup>3/16</sup> "	22 <sup>7/16</sup> "	13	15" x 12" x 17"	15