

Installation accessories

Stacking kit for 6 GN 2/1 oven placed on gas 10 GN 2/1

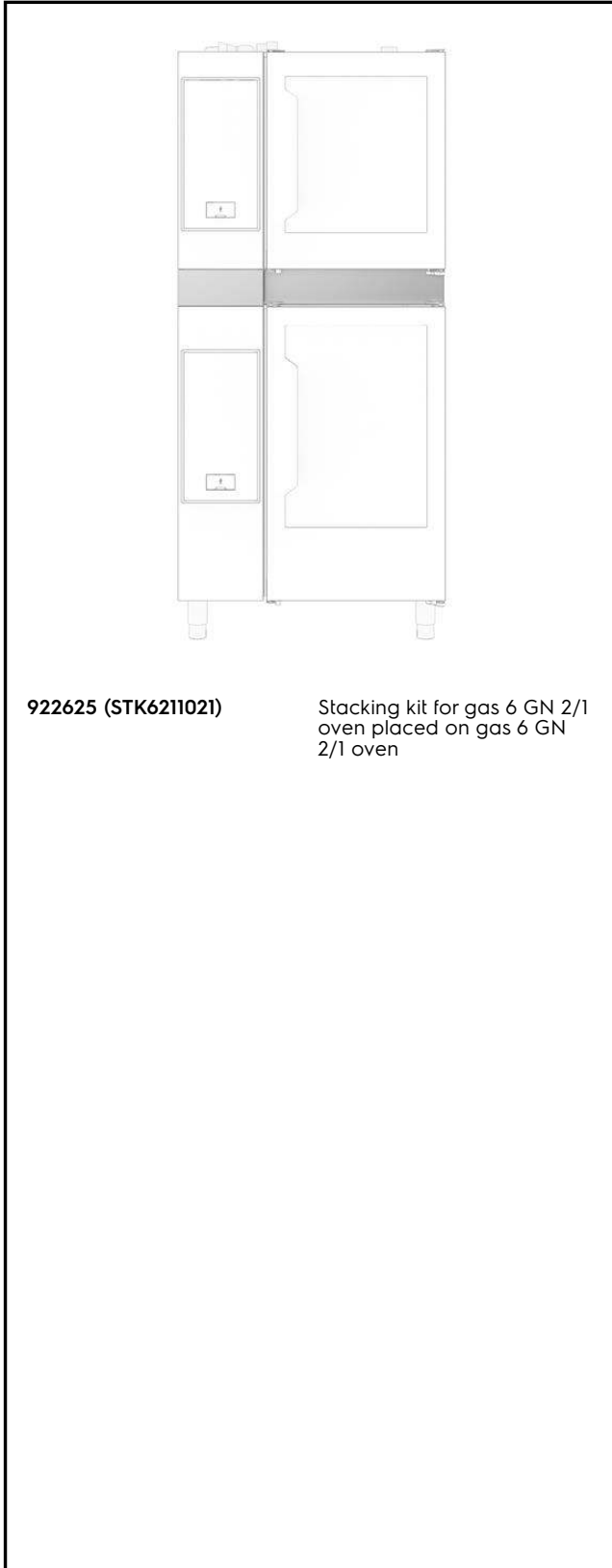
ITEM # _____

MODEL # _____

NAME # _____

SIS # _____

AIA # _____


922625 (STK6211021)

Stacking kit for gas 6 GN 2/1 oven placed on gas 6 GN 2/1 oven

Main Features

- It can be used to stack two Electrolux Lengthwise gas ovens 6X2/1 on 6X2/1 or 10X2/1.
- Stacking solution allows to save footprint while increasing productivity as it develops vertically.

Construction

- The kit includes supports, external panels and flue pipes.
- The kit can be mounted on site.

Key Information:

External dimensions,

Width:

922625 (STK6211021) 1000 mm

External dimensions,

Height:

530 mm

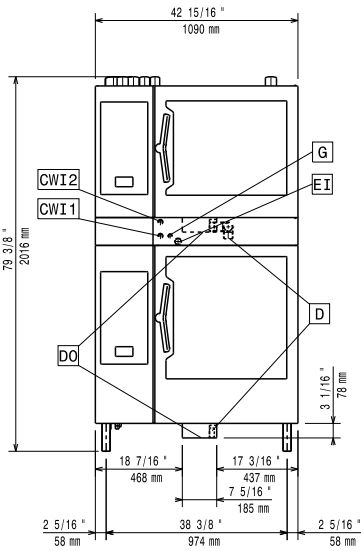
External dimensions,

Depth:

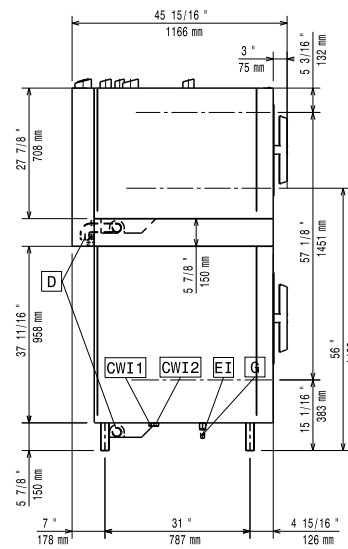
1300 mm

APPROVAL: _____

Front



Side



Top

