

# Dolly Truck

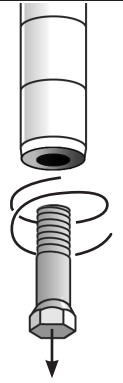
## ASSEMBLY INSTRUCTIONS

### CAUTION

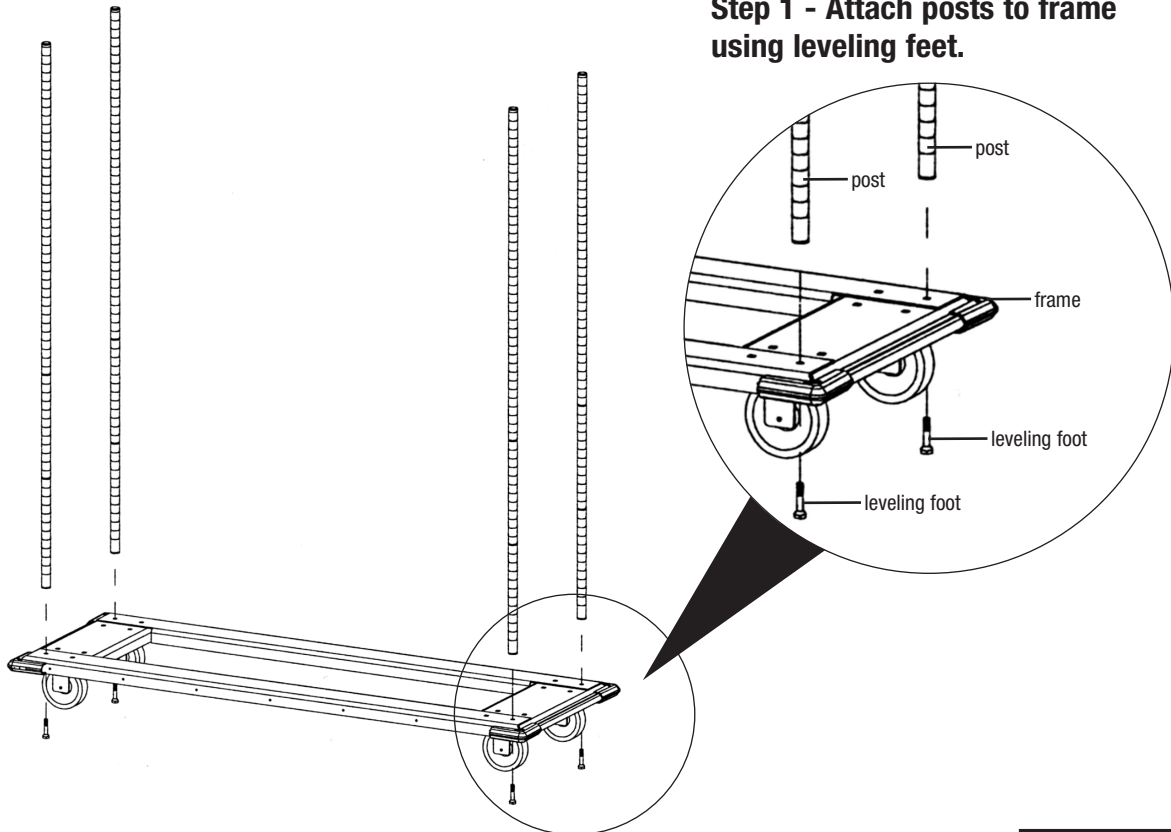
INSPECT CONTENTS IMMEDIATELY AND FILE CLAIM WITH DELIVERING CARRIER FOR ANY DAMAGE. **SAVE YOUR BOX AND ALL PACKING MATERIALS.** YOU ARE RESPONSIBLE FOR DAMAGE TO YOUR UNIT IF RETURNED IMPROPERLY PACKED.

#### Before assembly:

Unscrew the leveling foot from each post.



#### Step 1 - Attach posts to frame using leveling feet.



(continued on back page) 

EG9988 Revised 03/24



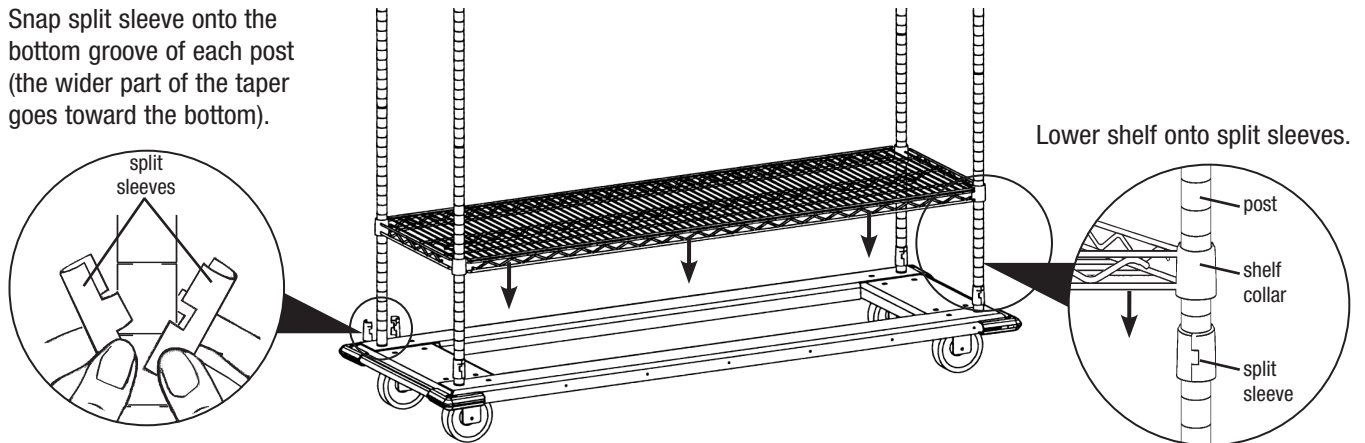
• 100 Industrial Boulevard, Clayton, Delaware 19938-8903 U.S.A.  
• Phone: 302/653-3000 • 800/441-8440 • Fax: 302/653-2065  
• [www.eaglegrp.com](http://www.eaglegrp.com) • [www.eaglemhc.com](http://www.eaglemhc.com)

# Dolly Truck

## ASSEMBLY INSTRUCTIONS

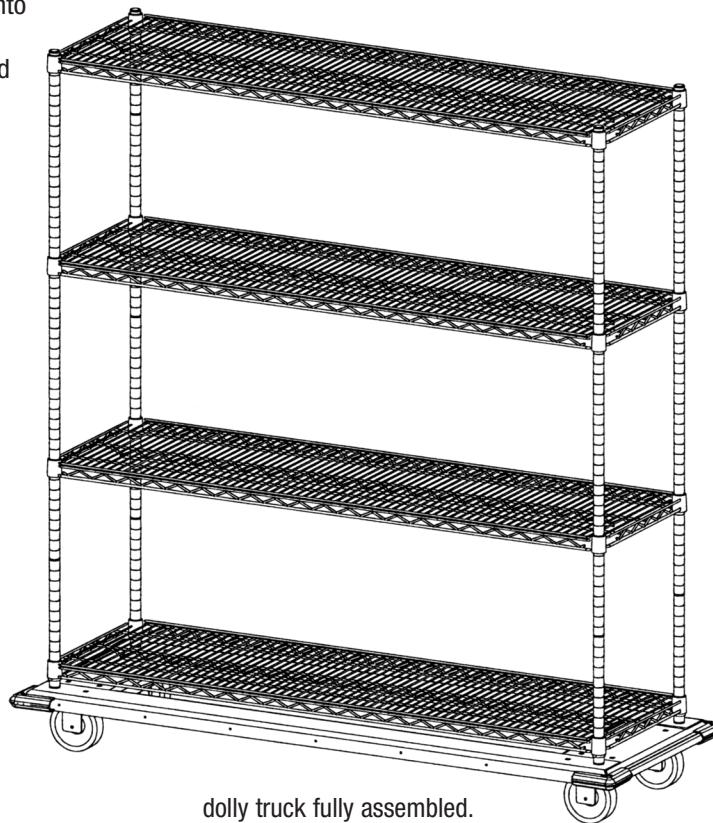
### Step 2 - Attach bottom shelf.

Snap split sleeve onto the bottom groove of each post (the wider part of the taper goes toward the bottom).



**Repeat Step 2, attaching each additional shelf at desired height, working from bottom to top, until all shelves are attached.**

For each shelf, snap split sleeve onto each post at the same height (the wider part of the taper goes toward the bottom).



dolly truck fully assembled.

(End)