

# Heated Drawers

## OPERATING MANUAL AND INSTRUCTIONS

### **CAUTION**

INSPECT CONTENTS IMMEDIATELY AND FILE CLAIM WITH DELIVERING CARRIER FOR ANY DAMAGE. **SAVE YOUR BOX AND ALL PACKING MATERIALS.** YOU ARE RESPONSIBLE FOR DAMAGE TO YOUR UNIT IF RETURNED IMPROPERLY PACKED.

Thank you for your purchase. Before assembly, read this manual carefully.

**Retain this manual for future reference.**

Contact this factory, the factory representative or Eagle's authorized service center in your area to perform maintenance and repairs.

This unit has been manufactured in accordance with Underwriters Laboratories and National Sanitation Foundation standards, consult local electrical and sanitation codes for compliance. Please reference the electrical specifications in this manual to insure that proper amperage and voltage is used for your application. Built-in units must be installed in compliance with the NEC.

## UNPACKING INSTRUCTIONS

- To unpack the heated drawer, first remove the four  $\frac{3}{8}$ " bolts, using a wrench, that secure the unit to the crate located on the underside of the crating (freestanding units only).
- Carefully remove the crating from the unit so as to not cause damage.
- Remove all plastic wrap from the exterior of the unit.
- Remove any tape or adhesive that may be holding the drawers closed.
- Please remove any warranty or instruction information from the drawers prior to use and store in safe location for future reference.
- Remember to properly sanitize and clean the unit before use.

(continued inside)

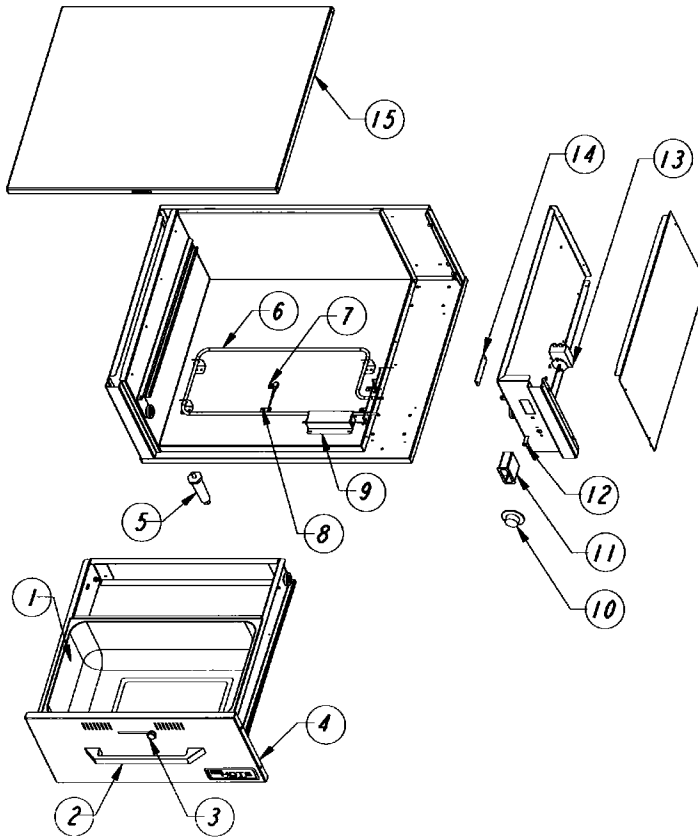
EG9986 Revised 03/24



• 100 Industrial Boulevard, Clayton, Delaware 19938-8903 U.S.A.  
• Phone: 302/653-3000 • 800/441-8440 • Fax: 302/653-2065  
• www.eaglegrp.com • www.eaglehmc.com

# Parts List

Drawer Warmer  
Free Standing  
Wide & Narrow Units  
120V & 240V



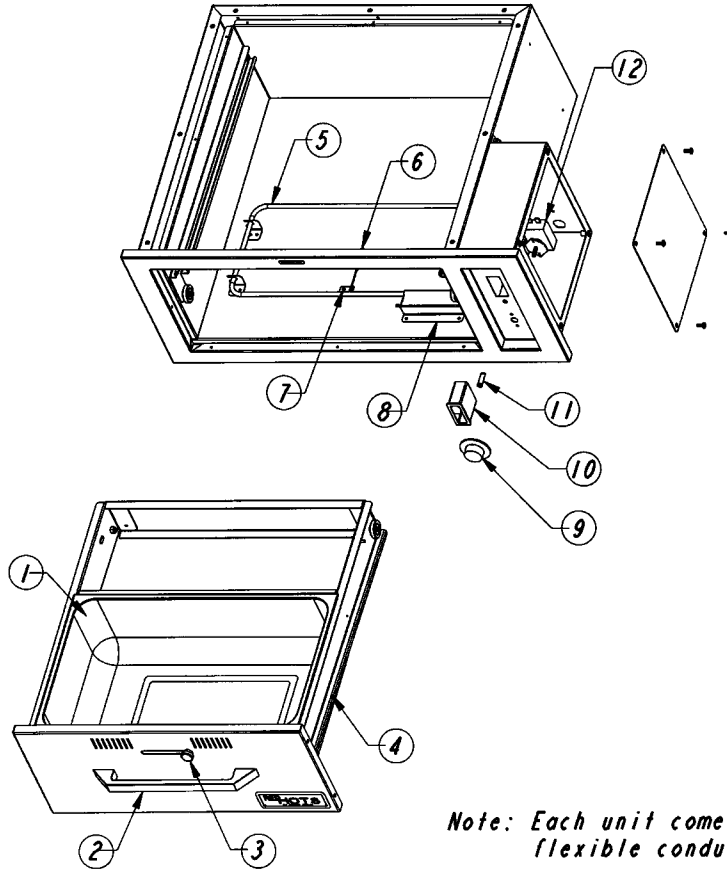
Note: Drawer Assy (#4) includes items #2 & #3.

| Item # | Part Description  | Part#<br>DWW Units<br>All Sizes | Part#<br>DWN Units<br>All Sizes |
|--------|-------------------|---------------------------------|---------------------------------|
| 1      | 12x20 Pan         | 331160                          | 331160                          |
| 2      | Drawer Handle     | 331221                          | 331221                          |
| 3      | Knob              | 331218                          | 331218                          |
| 4      | Drawer Assy       | 339072                          | 339147                          |
| 5      | Leg/Foot          | 301556                          | 301556                          |
| 6      | Heater Element    | See Note (*)                    | See Note (*)                    |
| 7      | Wire Clamp 5/16"  | 339314                          | 339314                          |
| 8      | Wire Clamp 1/8"   | 339311                          | 339314                          |
| 9      | Capillary Housing | 338404                          | 338404                          |
| 10     | Control Knob      | 301986                          | 301986                          |
| 11     | Thermometer       | 331214                          | 331214                          |
| 12     | Indicator Light   | 338132                          | 338132                          |
| 13     | Thermostat        | 331153                          | 331153                          |
| 14     | Wire Cover Plate  | 339128                          | 339128                          |
| 15     | Top Panel         | 339017                          | 339018                          |

- \* Element 339167, 120V (DWW-X-120), use (307226) Cord & Plug.
- \* Element 339168, 240V (DWW-X-240), use (301780) Cord & Plug.
- \* Element 339166, 120V (DWN-X-120), use (307226) Cord & Plug.
- \* Element 339169, 240V (DWN-X-240), use (301780) Cord \* Plug.

# Parts List

## Drawer Warmer Built-In Wide & Narrow Units 120V & 240V



Note: Each unit come complete with steel flexible conduit for wiring.

Note: Drawer Assy (#4) includes items #2 & #3.  
Item #13 Not Shown

| Item # | Part Description  | Part#<br>DWW-XBI Units<br>All Sizes | Part#<br>DWN-XBI Units<br>All Sizes |
|--------|-------------------|-------------------------------------|-------------------------------------|
| 1      | 12x20 Pan         | 331160                              | 331160                              |
| 2      | Drawer Handle     | 331221                              | 331221                              |
| 3      | Knob              | 331218                              | 331218                              |
| 4      | Drawer Assy       | 339262                              | 339238                              |
| 5      | Heater Element    | See Note (*)                        | See Note (*)                        |
| 6      | Wire Clamp 5/16"  | 339314                              | 339314                              |
| 7      | Wire Clamp 1/8"   | 339311                              | 339311                              |
| 8      | Capillary Housing | 338404                              | 338404                              |
| 9      | Control Knob      | 301986                              | 301986                              |
| 10     | Thermometer       | 331214                              | 331214                              |
| 11     | Indicator Light   | 338132                              | 338132                              |
| 12     | Thermostat        | 331153                              | 331153                              |
| 13     | Wire Cover Plate  | 339128                              | 339128                              |

\* Element 339167, 120V (DWW-XBI-120),  
\* Element 339168, 240V (DWW-XBI-240),  
\* Element 339166, 120V (DWN-XBI-120),  
\* Element 339169, 240V (DWN-XBI-240),

# INSTALLATION INSTRUCTIONS

## Freestanding Units

### 1 Legs

Install the legs into the bottom of the unit by threading them into the nut inserts and tightening securely.

### 2 Outlet

Locate the unit in a desired area within reach of an appropriately sized electrical outlet. Consult electrical chart.

### 3 Level

Place unit on a flat, even surface and check that the unit is level both left-to-right and front-to-back. Adjust feet as needed for a level installation.

### CAUTION!

LEGS MUST BE INSTALLED PRIOR TO THE OPERATION OF THE UNIT. TO AVOID DAMAGE, DO NOT LAY UNIT ON ITS FRONT OR BACK SIDE.

## Built-In Units

### 1 Tape

Remove any tape that may be holding the conduit to the unit before installing.

### 2 Location

Please read the information provided under Location before determining installation site.

- a Locate the unit in an area that is convenient for use. The location should be level to prevent the unit or its contents from accidentally falling, and strong enough to support the weight of the unit and its contents.
- b For safe and proper operation, the unit must be located a reasonable distance from combustible walls and materials. If safe distances are not maintained discoloration or combustion could occur.

### 3 Level

Determine cutout sizes for your unit using the chart located below.

#### Cutout Sizes for Built-In Drawer Warmers

| <i>Model</i>       | <i>Height</i>      | <i>Width</i>       | <i>Depth</i>       |
|--------------------|--------------------|--------------------|--------------------|
| DWW-1BI-120 or 240 | 10 $\frac{1}{2}$ " | 29 $\frac{3}{4}$ " | 23 $\frac{3}{8}$ " |
| DWW-2BI-120 or 240 | 21 $\frac{1}{4}$ " | 29 $\frac{3}{4}$ " | 23 $\frac{3}{8}$ " |
| DWW-3BI-120 or 240 | 32 $\frac{1}{2}$ " | 29 $\frac{3}{4}$ " | 23 $\frac{3}{8}$ " |
| DWN-1BI-120 or 240 | 10 $\frac{1}{2}$ " | 21 $\frac{1}{4}$ " | 26 $\frac{1}{8}$ " |
| DWN-2BI-120 or 240 | 21 $\frac{1}{4}$ " | 21 $\frac{1}{4}$ " | 26 $\frac{1}{8}$ " |
| DWN-3BI-120 or 240 | 32 $\frac{1}{2}$ " | 21 $\frac{1}{4}$ " | 26 $\frac{1}{8}$ " |

### 4 Locking Strip

When the proper cutout has been made, a locking strip (not supplied by Eagle) must be permanently fixed to the lower front side of the cabinet opening.

**Note:** Maintain a minimum clearance of 1" from the bottom of the cutout to floor.

### 5 Installing

Once the unit is installed into the opening, apply a bead of NSF-approved sealant around the drawer cabinet flanges and the location.

### 6 Connections

Final connections must be made in accordance with a NEC listed junction box.

# Plug Configurations

## Freestanding Units

All freestanding units are factory supplied with a cord and plug. Please check to make sure that the plug matches the receptacle.

- 1) 120V units supplied with a NEMA 5-15P plug configurations.
- 2) 240V units supplied with a NEMA 6-15P plug configurations.

### CAUTION!

FOR FREESTANDING UNITS, PLUG UNIT ONLY INTO A RECEPTACLE OF COMPATIBLE VOLTAGE AND PLUG CONFIGURATION. IF THE APPROPRIATE RECEPTACLE IS NOT AVAILABLE, CONTACT A CERTIFIED ELECTRICIAN TO INSTALL THE CORRECT OUTLET. SEE "ELECTRICAL RATING CHART" BELOW.

## Built-In Units

All built-in units are supplied with factory installed flexible steel conduit and applicable wiring.

**Electrical Rating Chart**

| <i>Model</i> | <i>Watts</i> | <i>Amps</i> | <i>Plug</i> | <i>Length</i> | <i>Depth</i> | <i>Height</i> |
|--------------|--------------|-------------|-------------|---------------|--------------|---------------|
| DWW-1-120    | 450          | 3.8         | NEMA 5-15P  | 29"           | 23¼"         | 16¼"          |
| DWW-1-240    | 450          | 1.9         | NEMA 6-15P  | 29"           | 23¼"         | 16¼"          |
| DWW-2-120    | 900          | 7.5         | NEMA 5-15P  | 29"           | 23¼"         | 26⅝"          |
| DWW-2-240    | 900          | 3.8         | NEMA 6-15P  | 29"           | 23¼"         | 26⅝"          |
| DWW-3-120    | 1350         | 11.3        | NEMA 5-15P  | 29"           | 23¼"         | 37"           |
| DWW-3-240    | 1350         | 5.6         | NEMA 6-15P  | 29"           | 23¼"         | 37"           |
| DWN-1-120    | 450          | 3.8         | NEMA 5-15P  | 21"           | 27¾"         | 16¼"          |
| DWN-1-240    | 450          | 1.9         | NEMA 6-15P  | 21"           | 27¾"         | 16¼"          |
| DWN-2-120    | 900          | 7.5         | NEMA 5-15P  | 21"           | 27¾"         | 26⅝"          |
| DWN-2-240    | 900          | 3.8         | NEMA 6-15P  | 21"           | 27¾"         | 26⅝"          |
| DWN-3-120    | 1350         | 11.3        | NEMA 5-15P  | 21"           | 27¾"         | 37"           |
| DWN-3-240    | 1350         | 5.6         | NEMA 6-15P  | 21"           | 27¾"         | 37"           |
| DWW-1BI-120  | 450          | 3.8         | Conduit     | 31"           | 23¼"         | 12¼"          |
| DWW-1BI-240  | 450          | 1.9         | Conduit     | 31"           | 23¼"         | 12¼"          |
| DWW-2BI-120  | 900          | 7.5         | Conduit     | 31"           | 23¼"         | 23⅝"          |
| DWW-2BI-240  | 900          | 3.8         | Conduit     | 31"           | 23¼"         | 23⅝"          |
| DWW-3BI-120  | 1350         | 11.3        | Conduit     | 31"           | 23¼"         | 34"           |
| DWW-3BI-240  | 1350         | 5.6         | Conduit     | 31"           | 23¼"         | 34"           |
| DWN-1BI-120  | 450          | 3.8         | Conduit     | 23"           | 26¾"         | 12¼"          |
| DWN-1BI-240  | 450          | 1.9         | Conduit     | 23"           | 26¾"         | 12¼"          |
| DWN-2BI-120  | 900          | 7.5         | Conduit     | 23"           | 26¾"         | 23⅝"          |
| DWN-2BI-240  | 900          | 3.8         | Conduit     | 23"           | 26¾"         | 23⅝"          |
| DWN-3BI-120  | 1350         | 11.3        | Conduit     | 23"           | 26¾"         | 34"           |
| DWN-3BI-240  | 1350         | 5.6         | Conduit     | 23"           | 26¾"         | 34"           |

# OPERATING INSTRUCTIONS

## 1 Plug

On freestanding models, plug unit into an electrical outlet of the correct voltage, size and plug configuration.

## 2 Power

To turn the power on, turn the thermostat control to the desired temperature. See “Food Holding Guide” below for recommended settings.

## 3 Pre-heat

Allow the unit 15-20 minutes to reach operating temperature. Moist applications may require additional preheat time.

## 4 Vents

Referring to “Food Holding Guide” below, adjust the drawer vents for desired humidity by loosening front drawer knob to unlock the vent and slide the vent to desired location. Opening the vent all the way allows maximum moisture to escape.

**Food Holding Guide**

| <i>Product</i> | <i>Rec. Storage Temp.</i> | <i>Heat Type</i> | <i>Vent Control</i> | <i>Capacity</i>  |
|----------------|---------------------------|------------------|---------------------|------------------|
| Rolls, Hard    | 160-185°F (71-85°C)       | Dry              | closed              | 6-8 dz           |
| Rolls, Soft    | 150-175°F (66-79°C)       | Moist            | open-half           | 6-8 dz           |
| Vegetables     | 175-185°F (66-85°C)       | Moist            | open-half           | 3-3½ dz potatoes |
| Meat, Poultry  | 165-185°F (74-85°C)       | Dry              | closed              | 25-30 lbs. ribs  |
| Fish           | 165-185°F (74-85°C)       | Moist            | open                |                  |
| Casseroles     | 150-175°F (66-79°C)       | Dry              | closed              |                  |
| Pies, Desserts | 160-185°F (71-85°C)       | Dry              | closed              |                  |

## Care and Maintenance

To avoid injury, turn the power off and allow unit to cool before cleaning or performing maintenance. On freestanding units, unplug the electrical cord and/or turn off circuit breaker.

To preserve the finish of the drawer warmer, it is recommended that the surface be wiped daily with a damp cloth. Food pans should be removed and washed. Stubborn stains may be removed with a non-abrasive cleaner. Hard to reach areas should be cleaned with a small brush and mild soap.

### **CAUTION!**

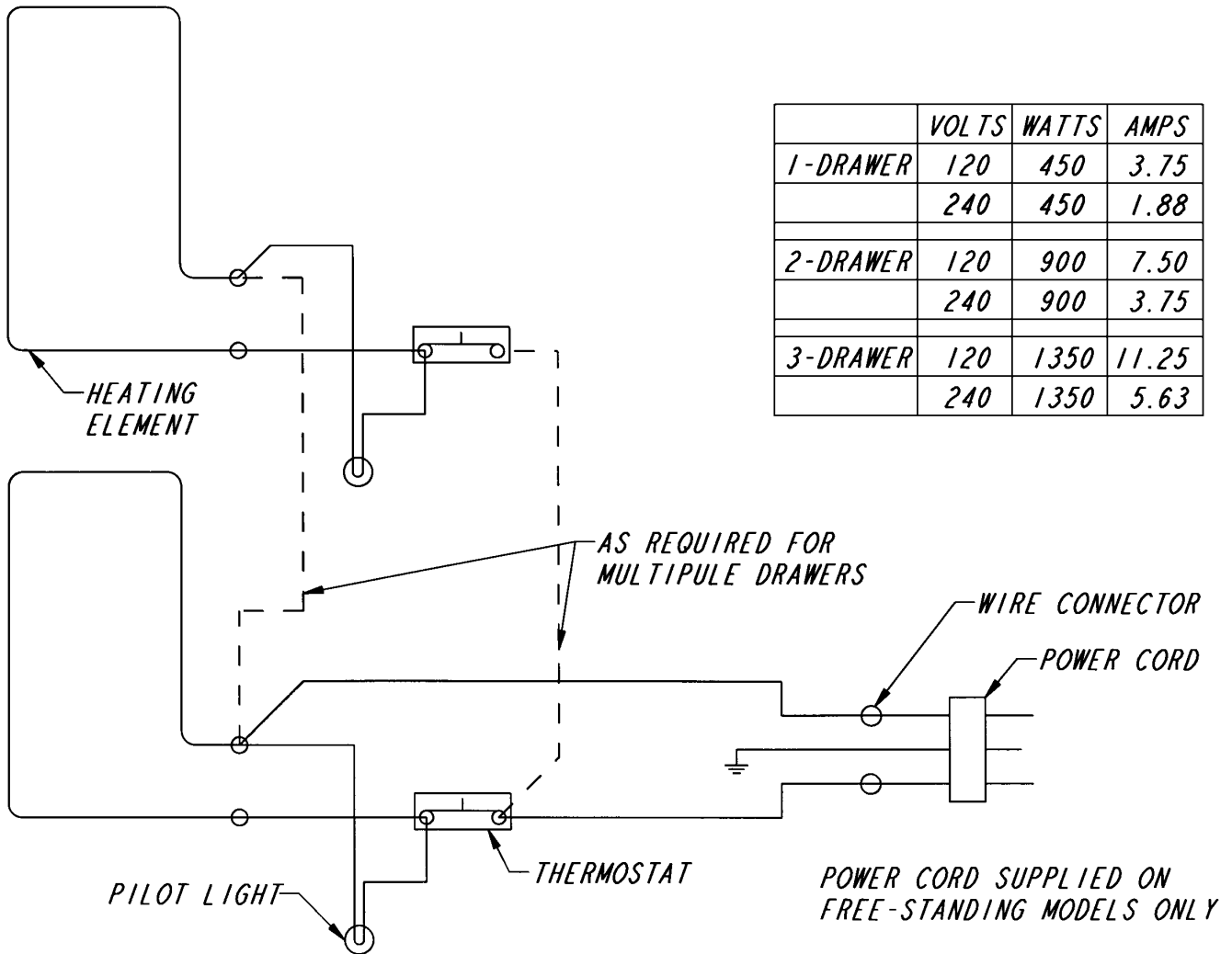
Abrasive cleaners could scratch the finish of the drawer warmer.

### **Removing Lime and Mineral Deposits**

Note: If the water used has an excessive amount of lime or mineral content, use the following instructions for periodic cleaning and de-liming of the water pan.

1. Turn off the power. On freestanding units, unplug the cord from the power source.
2. After the unit has cooled down, remove the water pan.
3. Fill the water pan with a mixture of water and de-limer. Allow the pan to stand with the mixture for the recommended period of time. The time required will depend on the solution used and the amount of deposits in the pan. Check de-limer manufacturer for specific directions.
4. After the de-liming period, drain the solution from the pan.
5. Continue to fill and rinse the pan with water only, until the pan becomes clean.
6. Install the pan into the unit. On freestanding units, plug the power cord into the receptacle and fill the pan as usual.

# Wiring Diagram



|          | VOLTS | WATTS | AMPS  |
|----------|-------|-------|-------|
| 1-DRAWER | 120   | 450   | 3.75  |
|          | 240   | 450   | 1.88  |
| 2-DRAWER | 120   | 900   | 7.50  |
|          | 240   | 900   | 3.75  |
| 3-DRAWER | 120   | 1350  | 11.25 |
|          | 240   | 1350  | 5.63  |