

ASSEMBLY INSTRUCTIONS

CAUTION

INSPECT CONTENTS IMMEDIATELY AND FILE CLAIM WITH DELIVERING CARRIER FOR ANY DAMAGE. **SAVE YOUR BOX AND ALL PACKING MATERIALS.** YOU ARE RESPONSIBLE FOR DAMAGE TO YOUR UNIT IF RETURNED IMPROPERLY PACKED.

BEFORE ASSEMBLY, PLEASE READ:

- Shelves up to 48" in length can support an evenly distributed static load of 800 lbs.
- Shelves of 60" and 72" length can support an evenly distributed static load of 600 lbs.
- **IMPORTANT:** Shelving units should not exceed 2400 lbs. per set of four posts.

Helpful Suggestions:

- Large installations are easier if all posts are marked first. Lay posts on floor with leveling bolts against a wall or straight edge. Mark all posts using a magic marker or grease pencil.
- Units over 50" high should be assembled with no less than 3 shelves—preferably 4 or more—and the bottom shelf should be placed as low as possible or practical.
- Two people are recommended for assembling shelf unit.

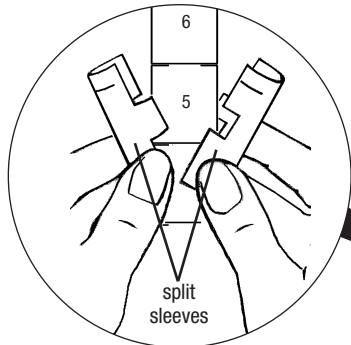
STATIONARY UNITS:

(see page 3 for assembly of Mobile Units)

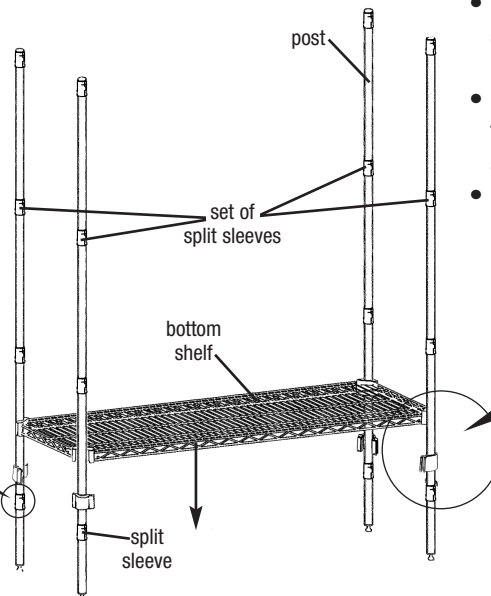
Step 1 - Attach all split sleeves to posts at desired heights.

- The wider part of the taper goes toward the bottom.
- Make sure rib on split sleeve is seated into a groove on the post.

Note: The number covered by the split sleeve indicates approximate height of shelf.

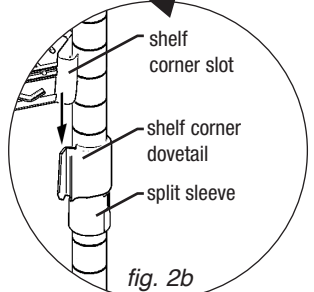
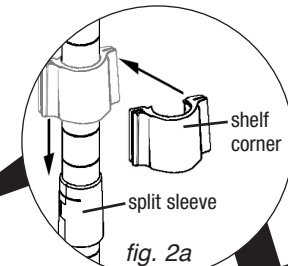


Note: If using aluminum split sleeves, set aside retaining rings until shelves have been installed (see page 2).



Step 2 - Mount bottom shelf.

- Insert the four shelf corners onto posts above split sleeves, and drop into place (see fig. 2a).
- Insert shelf above shelf corners, orienting the shelf corner dovetail with shelf corner slot (see fig. 2b) and pressing down.
- Repeat on remaining corners.

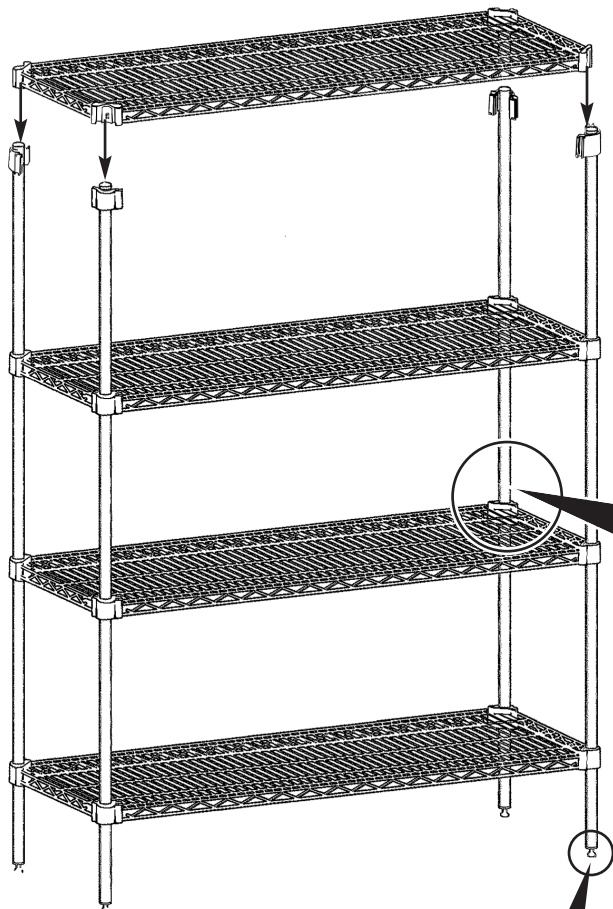


(continued on page 2)

EG10099 Revised 02/24

Quad-Adjust® Wire Shelving

ASSEMBLY INSTRUCTIONS



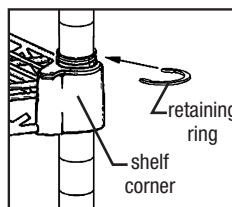
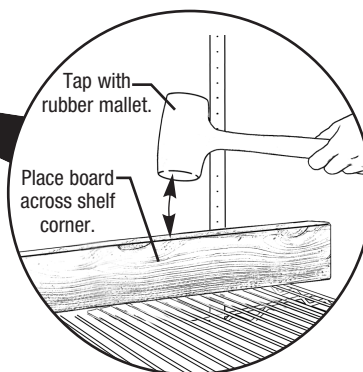
Step 3: Mount additional shelves.

Refer to Steps 1 & 2 (front page), working from bottom to top.

Step 4: Securely seat all shelves.

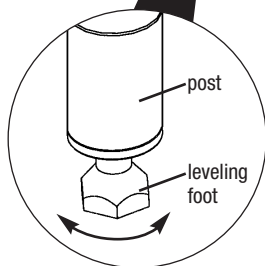
- Lay a board diagonally across the front and side wire shelf trusses, and firmly seat shelf onto split sleeves with a rubber mallet.
- Do NOT hammer directly on shelf.
- Repeat on remaining corners.

Note: Initial assembly of shelf may be tight.



If using aluminum split sleeves:

- Make sure the groove, located on the top of split sleeve, is accessible.
- Gently tap the retaining ring into the outer groove of each split sleeve.



Step 5: Level unit as necessary.

The leveling bolts allow approximately 1/2" adjustment.

(End)



WARNING – TIPPING HAZARD



- Do not step, stand or climb on shelving units.
- Place heavy objects on lowest shelf.

Failure to follow these guidelines can result in property damage or personal injury.

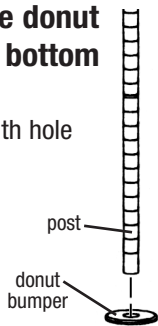
Quad-Adjust® Wire Shelving

ASSEMBLY INSTRUCTIONS

MOBILE UNITS:

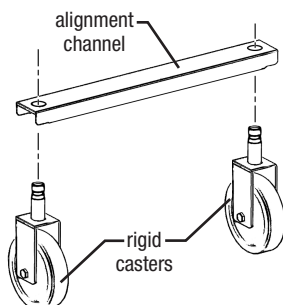
Step 1 - Place donut bumper onto bottom end of post.

Bottom is end with hole for caster stem.



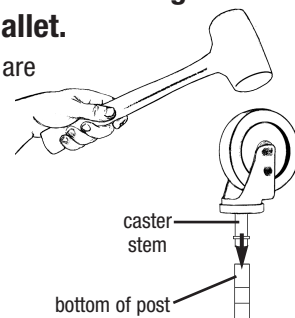
Step 2 (for rigid casters only. Otherwise, proceed to Step 3) -

Place alignment channel onto stems of rigid casters.



Step 3 - Drive in caster using a hammer or mallet.

Several solid blows are usually required.



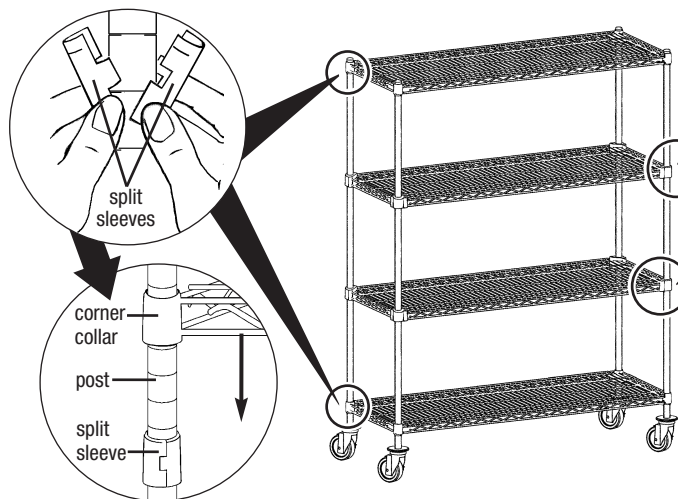
IMPORTANT NOTE BEFORE PROCEEDING:



On mobile units, top and bottom must utilize a product with TRADITIONAL WELDED COLLARS! These instructions show wire shelves as an example, but can include solid shelves, dunnage shelves, dolly frame (for bottom only), or four-sided channel frames.

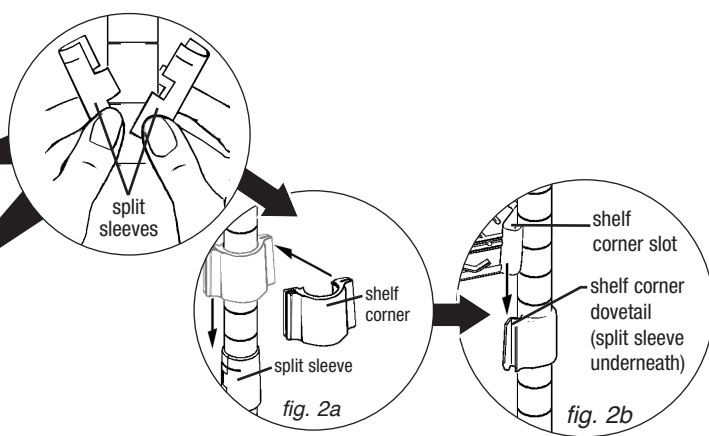
Step 4 - Mount top and bottom standard shelves.

IMPORTANT: Bottom shelf must be installed before top shelf.



Step 5 - Mount mid Quad-Adjust® shelves.

See Steps 1 & 2 on front page.



Notes about Mobile Units:

- **IMPORTANT:** Maximum load for mobile units to be the following:
 - 3 times the weight rating for one caster, or
 - 1000 lbs. per set of four posts... whichever is less.
- First shelf must be located at bottom groove of each post for stability.
- Overall height should not exceed 74".
- Do not construct carts with shelves less than 18" wide.
- Inspect and maintain casters regularly. Replace casters that are damaged or severely worn.



WARNING – TIPPING HAZARD



- Push mobile units in long direction.
- Use caution when moving heavily loaded carts. Heavy loads are hard to control.
- Do not step, stand or climb on shelving units.
- Place heavy objects on lowest shelf.
- Inspect casters before use.
- Replace casters that are worn immediately.

Failure to follow these guidelines can result in property damage or personal injury.

(End)

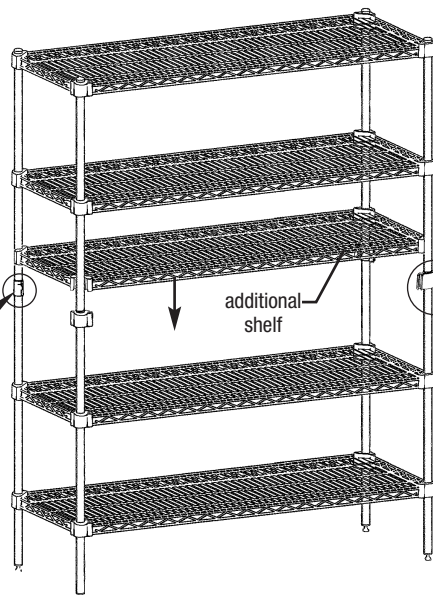
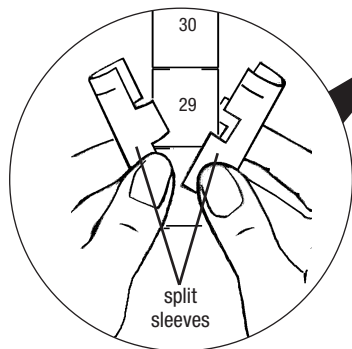
Quad-Adjust® Wire Shelving

ASSEMBLY INSTRUCTIONS

TO INSTALL ADDITIONAL QUAD-ADJUST® SHELF:

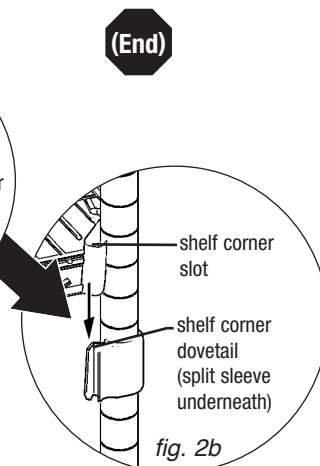
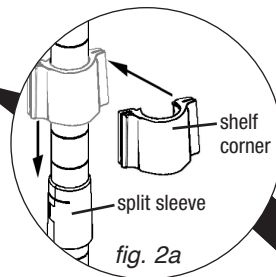
Step 1 - Attach split sleeves to posts at desired height.

- The wider part of the taper goes toward the bottom.
 - Make sure rib on split sleeve is seated into a groove on the post.
- Note: The number covered by the split sleeve indicates approximate height of shelf.



Step 2 - Mount additional shelf.

- Insert the four shelf corners onto post above split sleeves, and drop into place (see *fig. 2a*).
- Insert shelf above shelf corners, orienting the shelf corner dovetail with shelf corner slot (see *fig. 2b*) and pressing down until it snaps into place.
- Repeat on remaining corners.



TO REMOVE EXISTING QUAD-ADJUST® SHELF:

Removal is opposite of installation.

- Place a board diagonally UNDERNEATH shelf, across the front and side wire trusses.
- With a gentle upward swing of a mallet, knock shelf loose. Repeat as necessary.

(End)

