

AutoFill® Water System

INSTRUCTIONS

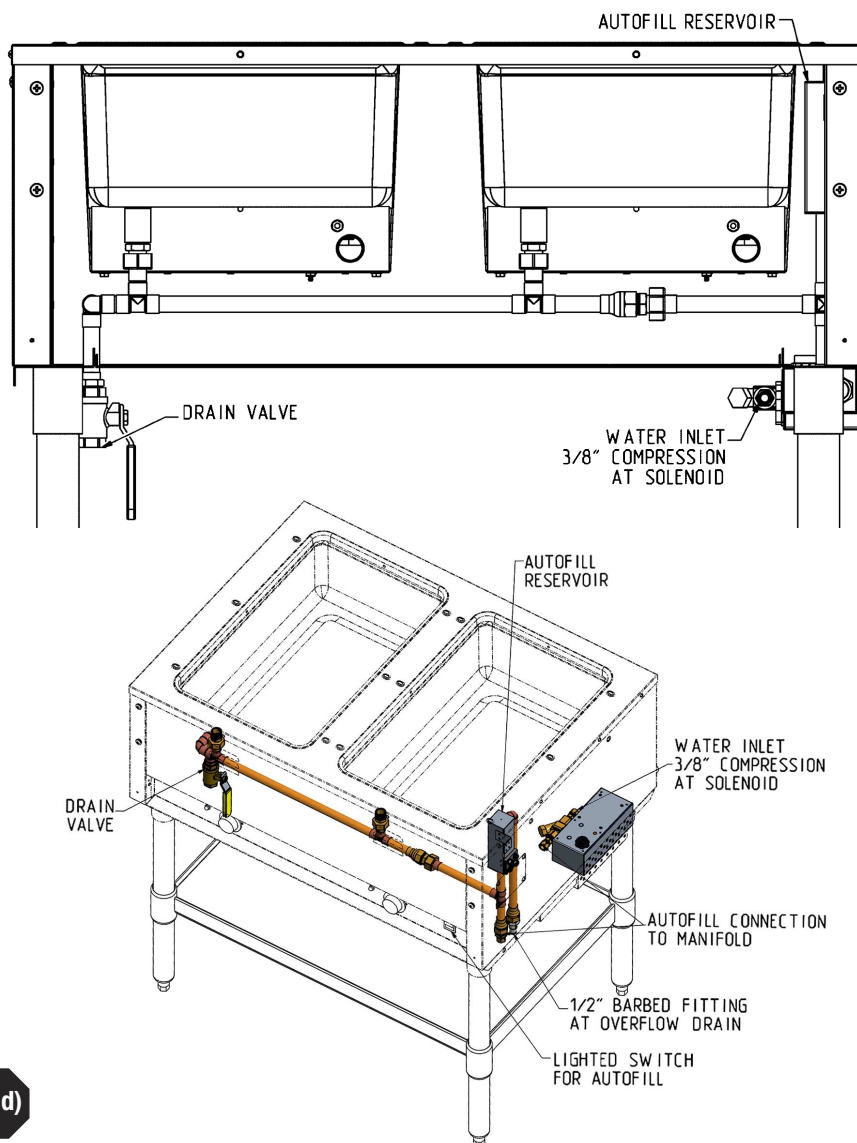
CAUTION

INSPECT CONTENTS IMMEDIATELY AND FILE CLAIM WITH DELIVERING CARRIER FOR ANY DAMAGE. **SAVE YOUR BOX AND ALL PACKING MATERIALS.** YOU ARE RESPONSIBLE FOR DAMAGE TO YOUR UNIT IF RETURNED IMPROPERLY PACKED.

INSTALLATION/OPERATION

1. Attach a continuous flowing hot water source to the $\frac{3}{8}$ " compression water connection inlet.
2. Screw the barbed fitting into the drain line and connect a $\frac{1}{2}$ " tube for the overflow drain. run to an appropriate floor sink.
3. Plug unit into proper power source stated on model/serial plate. Turn water source on and the AutoFill® ON/OFF switch to "ON". (Remember that the solenoid will make a "pop" sound the first time this is turned on.) The AutoFill® system will fill and maintain the proper water level in all wells. If there is a desire to run the unit without automatically filling the wells with water, simply turn the ON/OFF switch to the "OFF" position. The AutoFill® system runs independently of the hot wells, so the wells are still operational.

For further details about the AutoFill® Water System, call the factory at 1-800-441-8440.



(End)

EG10075 revised 07/22