

# Mobile Soak Sink

## ASSEMBLY INSTRUCTIONS

### CAUTION

INSPECT CONTENTS IMMEDIATELY AND FILE CLAIM WITH DELIVERING CARRIER FOR ANY DAMAGE.

**SAVE YOUR BOX AND ALL PACKING MATERIALS.**

YOU ARE RESPONSIBLE FOR DAMAGE TO YOUR UNIT IF RETURNED IMPROPERLY PACKED.

#### This package contains:

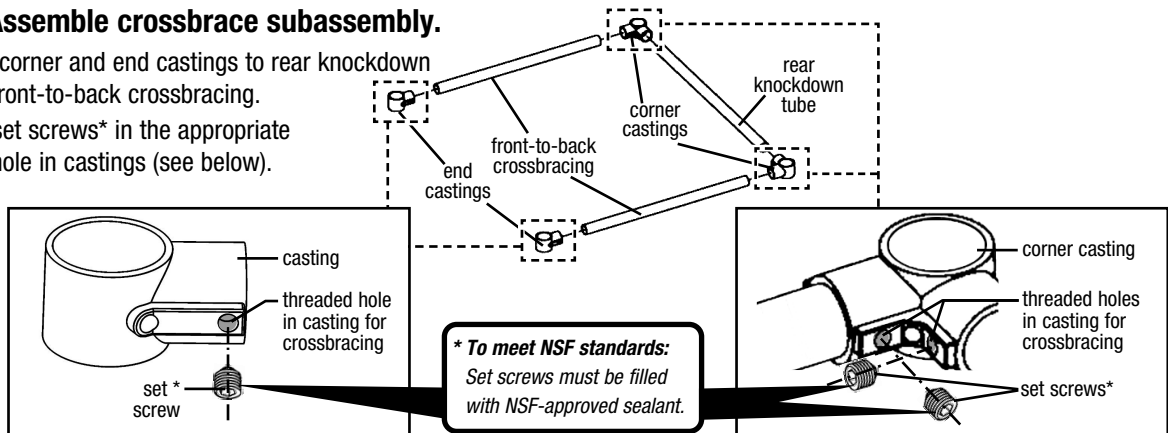
- |                        |                               |                                 |
|------------------------|-------------------------------|---------------------------------|
| (1) Sink bowl          | (2) Front-to-back crossbraces | (1) Silverware chute (optional) |
| (4) Legs               | (1) Left-to-right crossbrace  | - (1) Chute                     |
| (2) End castings       | (14) Set screws               | - (2) Support brackets          |
| (2) Corner castings    | (1) Lever drain               | - (4) Lock nuts                 |
| (2) Swivel casters     | (1) Drain tail-piece          | - (4) Wing nuts                 |
| (2) Casters with brake | (1) Scrap basket (optional)   |                                 |

#### Tool required:

- 5/32" allen wrench (supplied)
- adjustable wrench

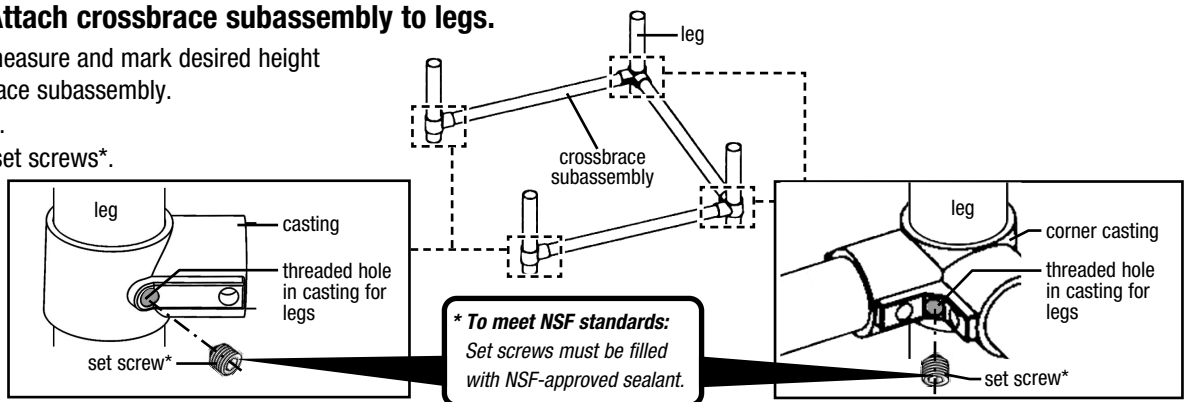
### Step 1 - Assemble crossbrace subassembly.

- Assemble corner and end castings to rear knockdown tube and front-to-back crossbracing.
- Snug the set screws\* in the appropriate threaded hole in castings (see below).



### Step 2 - Attach crossbrace subassembly to legs.

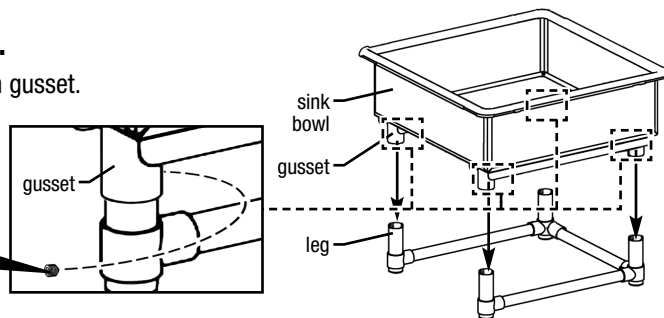
- On legs, measure and mark desired height of crossbrace subassembly.
- Insert legs.
- Snug the set screws\*.



### Step 3 - Attach sink bowl.

- Insert top of each leg into each gusset.
- Tighten all set screws\*.

**\* To meet NSF standards:**  
Set screws must be filled  
with NSF-approved sealant.



(continued on back page)

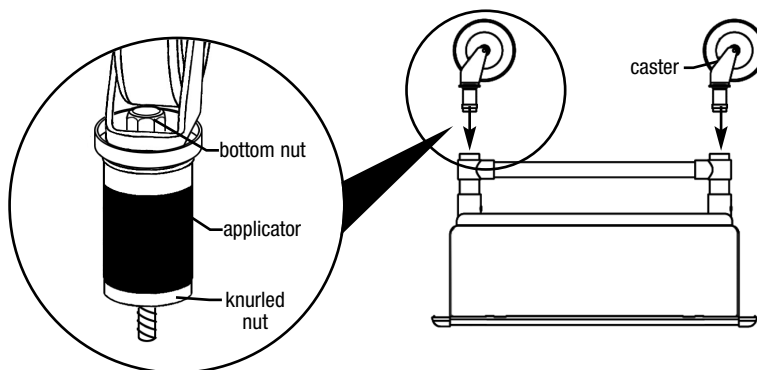
EG10070 Revised 02/23

# Mobile Soak Sink

## ASSEMBLY INSTRUCTIONS

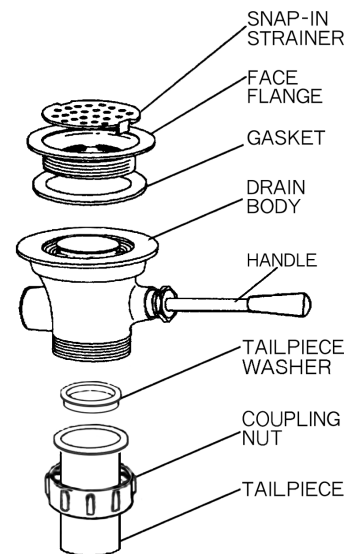
### Step 4 - Attach casters.

- Lay unit on its top.
- On caster, hold bottom nut and tighten knurled nut until applicator starts to expand.
- Insert caster into leg. Caster should fit snugly. If loose, tighten knurled nut more.
- With caster fully inserted into leg, tighten bottom nut with adjustable wrench.
- Flip unit onto its casters.



### Step 5 - Attach lever drain to sink (referring to illustration at right).

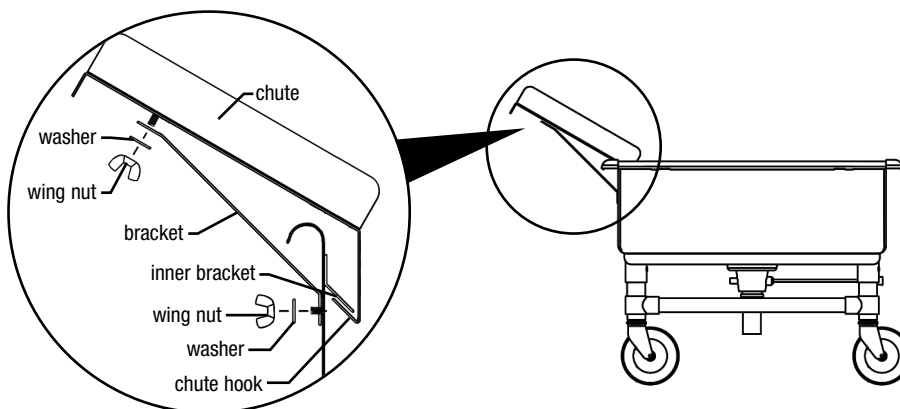
- Remove the Snap-in Strainer and unscrew the Face Flange from the Drain Body. Apply a bead of Plumber's Putty to the bottom of the Face Flange where it contacts the sink bowl.
- Make sure the underside and inside mating surfaces of the sink bowl in the area of the drain are clean.
- Install the Drain Body and Gasket from below the sink.
- Install the Face Flange thru the sink drain opening and screw it into the Drain Body below.
- Before tightening, position the Handle to the desired location. Tighten the Face Flange securely with a sink flange tool or similar.
- Place Tailpiece Washer inside top of Tailpiece. To attach the Tailpiece, screw Coupling Nut onto the bottom of the Drain Body.



If a chute is provided with sink, proceed below to Step 6.

### Step 6 - Attach chute.

- Set chute inside sink bowl, and hook to inner bracket.
- Attach chute to brackets using wing nuts and washers supplied.



Place basket (if provided) inside sink bowl. Assembly is complete.

(End)