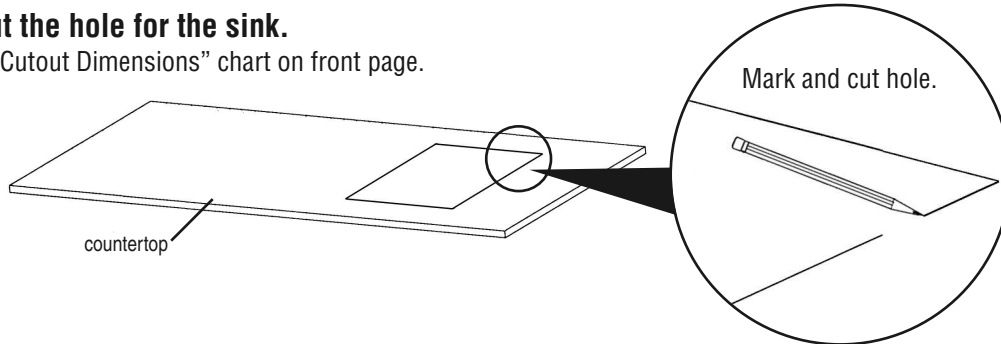


Top-Mount Countertop Drop-In Self-Rim Design Sinks

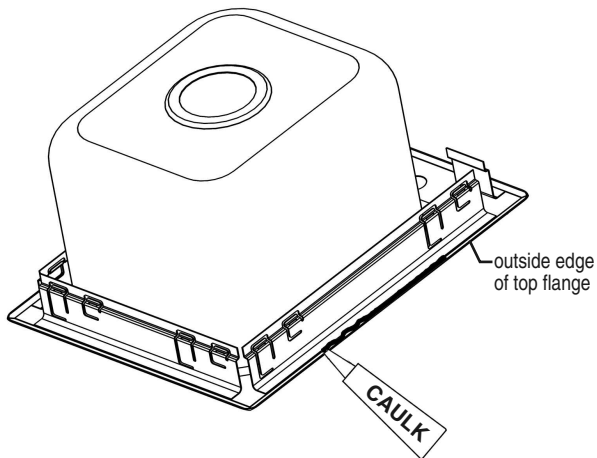
INSTALLATION INSTRUCTIONS

Step 1 - Cut the hole for the sink.

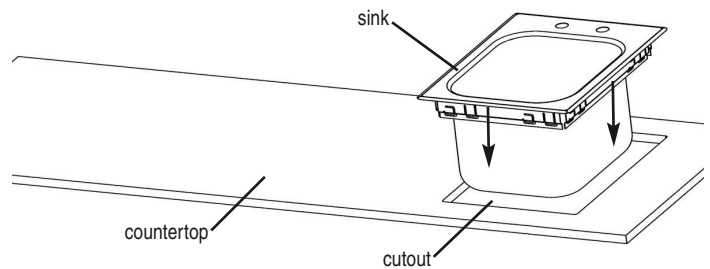
Refer to the "Cutout Dimensions" chart on front page.



Step 2 - Caulk under the outside edge of the top flange.



Step 3 - Carefully place the sink inside the cutout.

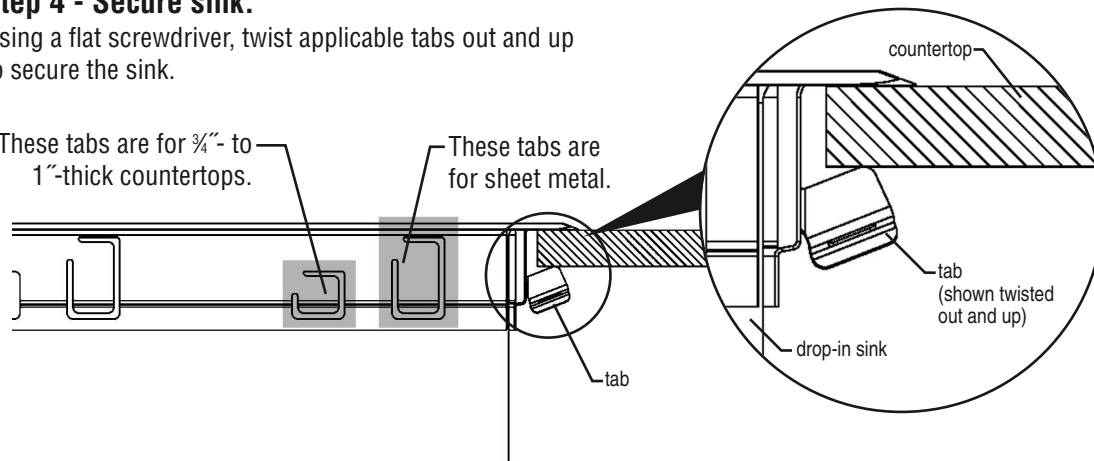


Step 4 - Secure sink.

Using a flat screwdriver, twist applicable tabs out and up to secure the sink.

These tabs are for $\frac{3}{4}$ "- to 1"-thick countertops.

These tabs are for sheet metal.

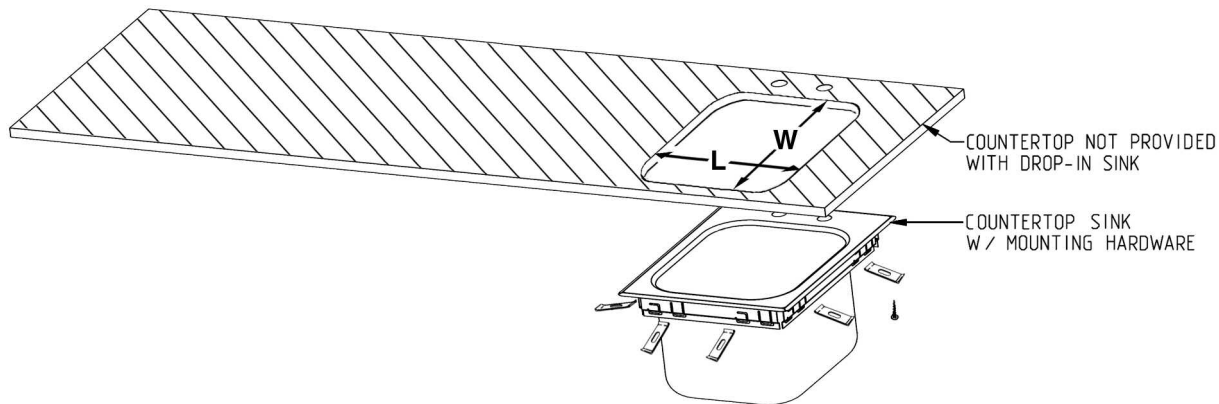


(End)

Bottom-Mount Countertop Self-Rim Design Sinks

INSTALLATION INSTRUCTIONS

FOR MOUNTING SINK ONTO TOP SIDE OF COUNTERTOP
(ALSO KNOWN AS “TOP MOUNT”), SEE FRONT PAGE.



Bottom-Mount Cutout Dimensions

sink model #	cutout dimensions (width x length)	corner radius
One-Compartment Sinks		
SR10-14-5-1	14 ¹³ / ₁₆ " x 10 ¹³ / ₁₆ "	3 ⁵ / ₈ "
SR10-14-9.5-1	14 ¹³ / ₁₆ " x 10 ¹³ / ₁₆ "	3 ⁵ / ₈ "
SR12-14-9.5-1	14 ³ / ₈ " x 12 ³ / ₈ "	3 ¹ / ₄ "
SR14-10-5-1	10 ¹³ / ₁₆ " x 14 ¹³ / ₁₆ "	3 ⁵ / ₈ "
SRU14-10-5-1	n/a	n/a
SR14-10-9.5-1	10 ¹³ / ₁₆ " x 14 ¹³ / ₁₆ "	3 ⁵ / ₈ "
SR14-12-9.5-1	12 ³ / ₈ " x 14 ³ / ₈ "	3 ¹ / ₄ "
SR14-16-9.5-1	16 ³ / ₈ " x 14 ³ / ₈ "	3 ⁵ / ₈ "
SR16-14-9.5-1	14 ³ / ₈ " x 16 ³ / ₈ "	3 ⁵ / ₈ "
SR16-19-8-1	20 ³ / ₈ " x 16 ³ / ₈ "	4"
SR16-19-13.5-1	20 ³ / ₈ " x 16 ³ / ₈ "	4"
SR18-24-13.5-1	24 ³ / ₈ " x 18 ³ / ₈ "	4"
SR19-16-8-1	16 ³ / ₈ " x 20 ³ / ₈ "	4"
SR19-16-13.5-1	16 ³ / ₈ " x 20 ³ / ₈ "	4"
SR20-12-6.5-1	12 ³ / ₈ " x 20 ³ / ₈ "	1 ¹ / ₈ "
SR22-22-13.5-1	see template	
SR24-18-13.5-1	18 ³ / ₈ " x 24 ³ / ₈ "	4"
SR24-24-13.5-1	24 ¹ / ₁₆ " x 24 ¹ / ₁₆ "	4 ¹ / ₄ "

sink model #	cutout dimensions (width x length)	corner radius
Two-Compartment Sinks		
SR10-14-9.5-2	14 ¹³ / ₁₆ " x 23"	3 ⁵ / ₈ "
SR12-14-9.5-2	14 ³ / ₈ " x 26 ³ / ₈ "	3 ¹ / ₄ "
SR14-16-9.5-2	16 ³ / ₈ " x 30 ³ / ₈ "	3 ⁵ / ₈ "
SR16-19-8-2	20 ³ / ₈ " x 34 ¹ / ₄ "	4"
SR16-19-13.5-2	20 ³ / ₈ " x 34 ¹ / ₄ "	4"
SR18-24-13.5-2	24 ³ / ₈ " x 38 ¹ / ₂ "	4"
SR22-22-13.5-2	see template	
SR24-24-13.5-2	24 ¹³ / ₁₆ " x 50 ¹ / ₄ "	4 ¹ / ₄ "
Three-Compartment Sinks		
SR10-14-9.5-3	14 ¹³ / ₁₆ " x 35"	3 ⁵ / ₈ "
SR12-14-9.5-3	14 ³ / ₈ " x 40 ³ / ₈ "	3 ¹ / ₄ "
SR14-16-9.5-3	16 ³ / ₈ " x 46 ³ / ₈ "	3 ⁵ / ₈ "
SR16-19-8-3	20 ³ / ₈ " x 52 ¹ / ₄ "	4"
SR16-19-13.5-3	20 ³ / ₈ " x 52 ¹ / ₄ "	4"
SR18-24-13.5-3	24 ³ / ₈ " x 58 ¹ / ₄ "	4"

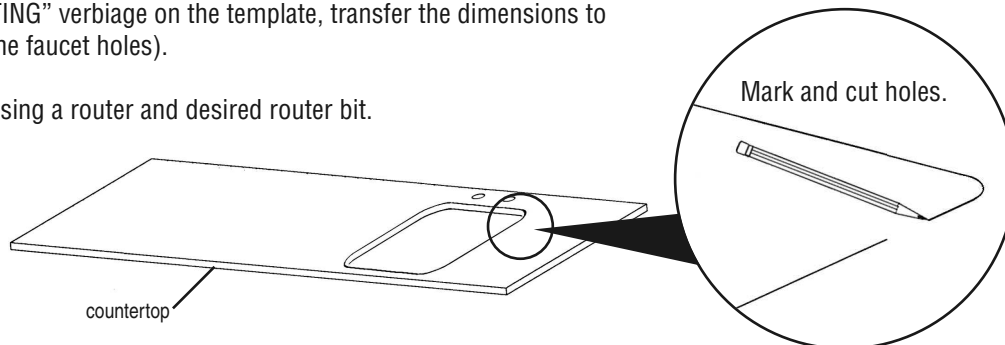
(continued on back page)

Bottom-Mount Countertop Self-Rim Design Sinks

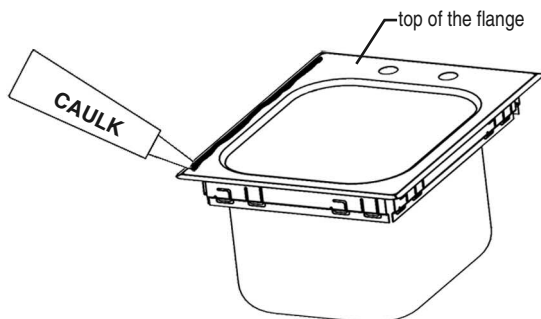
INSTALLATION INSTRUCTIONS

Step 1 - Cut the hole for the sink.

- Refer to the cutout template included with sink.
- Referring to "BOTTOM MOUNTING" verbiage on the template, transfer the dimensions to the countertop (do not forget the faucet holes).
- Cut the hole.
- Finish the edge of the cutout, using a router and desired router bit.

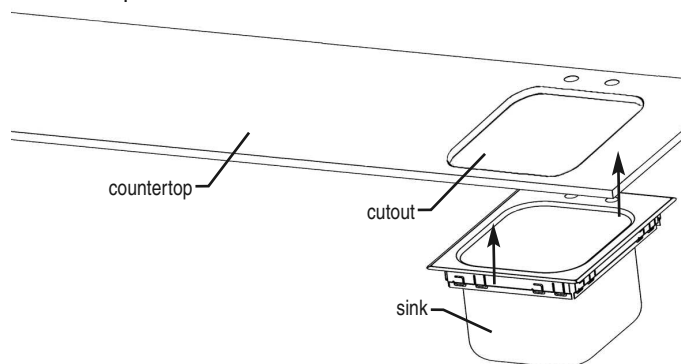


Step 2 - Caulk the top of the flange.



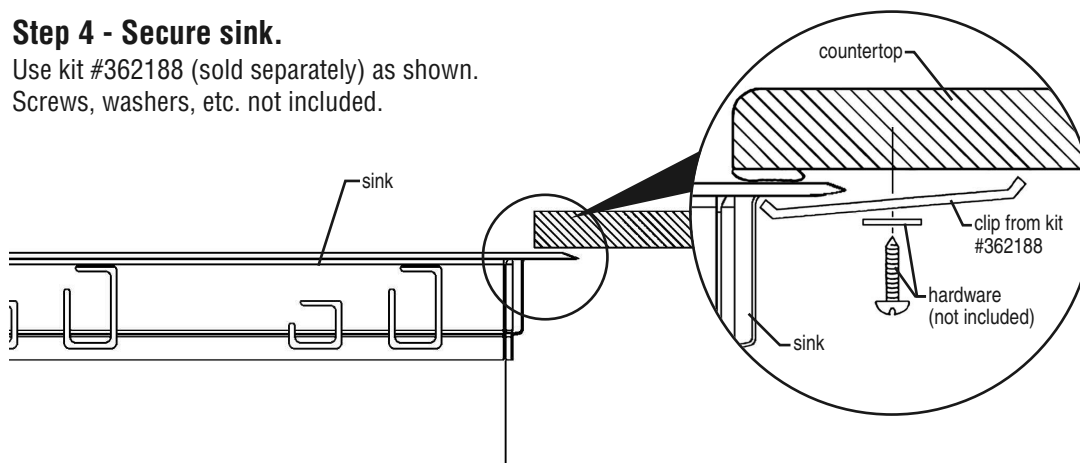
Step 3 - Place the sink under the cutout.

A second person, or a temporary prop, might be needed to hold the sink in place.



Step 4 - Secure sink.

Use kit #362188 (sold separately) as shown.
Screws, washers, etc. not included.



(End)