

Solid Shelving

ASSEMBLY INSTRUCTIONS

CAUTION

INSPECT CONTENTS IMMEDIATELY AND FILE CLAIM WITH DELIVERING CARRIER FOR ANY DAMAGE.
SAVE YOUR BOX AND ALL PACKING MATERIALS.
YOU ARE RESPONSIBLE FOR DAMAGE TO YOUR UNIT IF RETURNED IMPROPERLY PACKED.

BEFORE ASSEMBLY, PLEASE READ:

Helpful Suggestions:

- Shelves up to 48" in length can support an evenly distributed static load of 800 lbs.
- Shelves of 54", 60", and 72" length can support an evenly distributed static load of 600 lbs.
- **IMPORTANT:** Shelving units should not exceed 2400 lbs. per set of four posts.
- Large installations are easier if all posts are marked first. Lay posts on floor with leveling bolts against a wall or straight edge. Mark all posts using a magic marker or grease pencil.
- Caster Load: 3x the caster rating. Unit total not to exceed 900 lbs.

For Best Performance:

- Units over 50" high should be assembled with no less than 3 shelves—preferably 4 or more—and the bottom shelf should be placed as low as possible or practical.
- On mobile units with 18"-wide shelves, the overall post height should be no greater than 74".
- On mobile units with 24"-wide shelves, the overall post height should be no greater than 86".

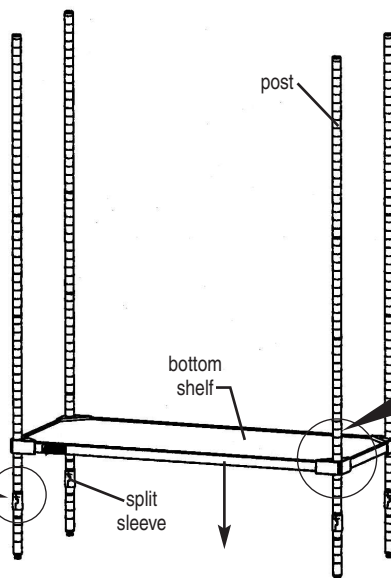
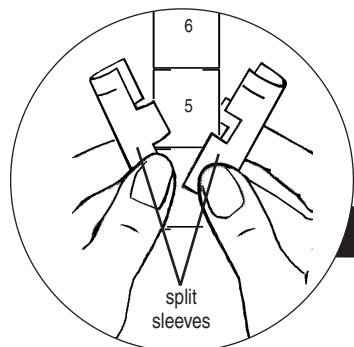
FOR STARTER UNITS:

(For Caster Carts, see page 3 on how to install casters BEFORE assembling unit.)

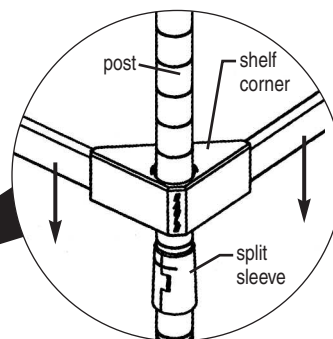
Step 1 - Attach split sleeves (for bottom shelf) to posts.

- The wider part of the taper goes toward the bottom.
- Make sure rib on split sleeve is seated into a groove on the post.

Note: The number covered by the split sleeve indicates approximate height of shelf.



Step 2 - Mount bottom shelf.



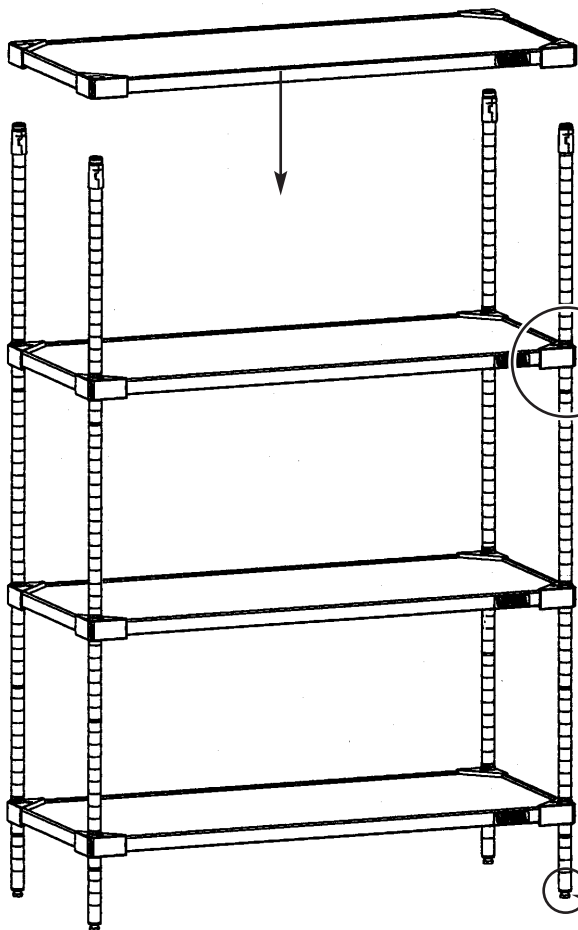
(continued on page 2)

EG10034 Revised 08/14

Solid Shelving

ASSEMBLY INSTRUCTIONS

FOR STARTER UNITS (continued):

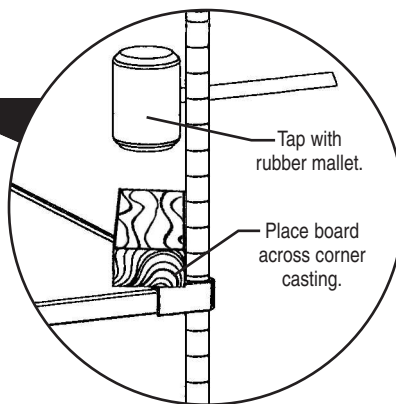


Step 3: Mount additional shelves.

Refer to Steps 1 & 2 (front page), working from bottom to top.

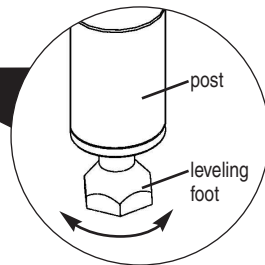
Step 4: Secure all shelves.

Note: Do NOT hammer directly on shelves.



Step 5: Level unit.

The leveling bolts allow approximately 1/2" adjustment.



(End)



WARNING – TIPPING HAZARD



- Do not step, stand or climb on shelving units.
- Place heavy objects on lowest shelf.

Failure to follow these guidelines can result in property damage or personal injury.

For Caster Carts, see page 3.

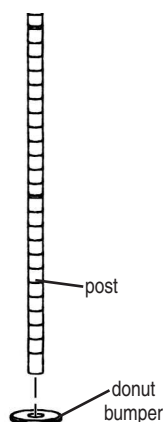
Solid Shelving

ASSEMBLY INSTRUCTIONS

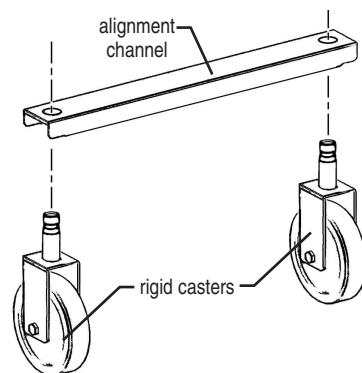
FOR CASTER CARTS:

Step 1 - Place donut bumpers onto bottom end of post.

Bottom is end with hole for caster stem.

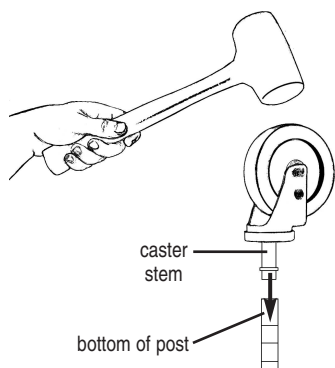


Step 2 (for rigid casters only. Otherwise, proceed to Step 3) - Place alignment channel onto stems of rigid casters.



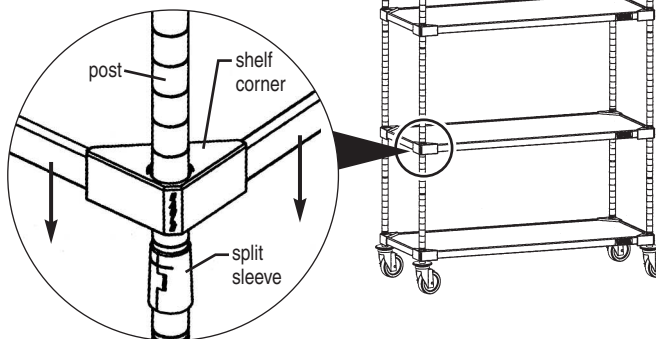
Step 3 - Drive in caster using a hammer or mallet.

Several solid blows are usually required.



Step 4 - Mount shelves.

Refer to Steps 1 & 2 (front page), working from bottom to top.



(End)

Notes about Caster Carts:

- **IMPORTANT:** Mobile units should not exceed 900 lbs. per set of four posts.
- First shelf should be located at bottom groove for most stability.
- Do not construct carts with shelves less than 18" wide.
- Inspect and maintain casters regularly. Replace casters that are damaged or severely worn.



WARNING – TIPPING HAZARD

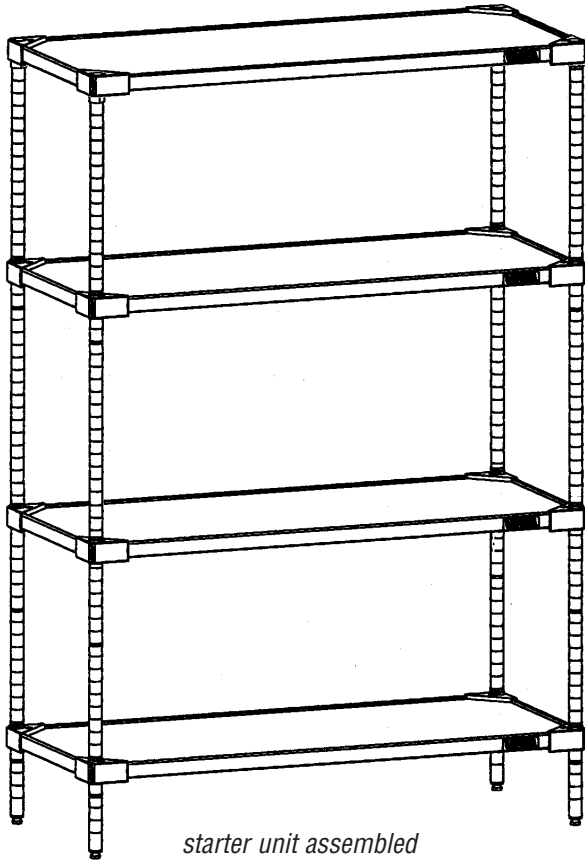


- Push mobile units in long direction.
- Use caution when moving heavily loaded carts. Heavy loads are hard to control.
- Do not step, stand or climb on shelving units.
- Place heavy objects on lowest shelf.
- Inspect casters before use.
- Replace casters that are worn immediately.

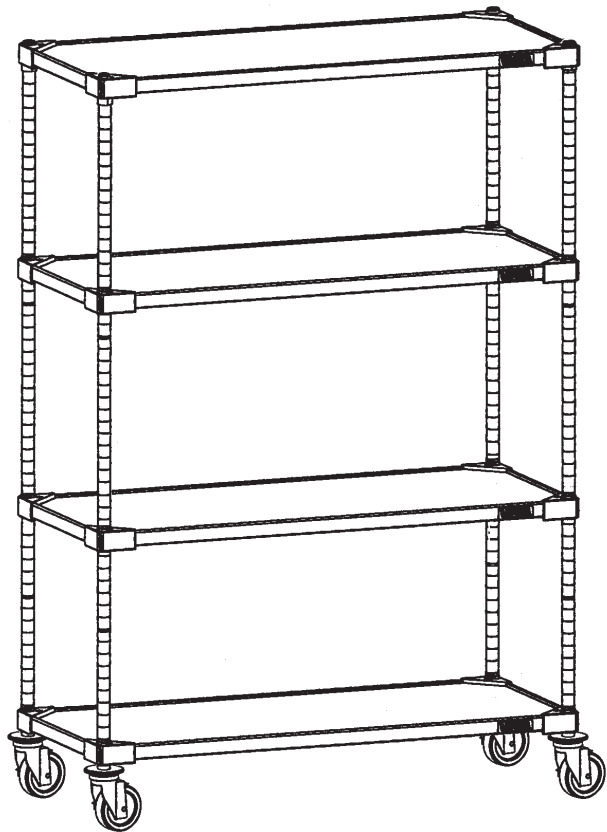
Failure to follow these guidelines can result in property damage or personal injury.

Solid Shelving

ASSEMBLY INSTRUCTIONS



starter unit assembled



caster cart assembled



- 100 Industrial Boulevard, Clayton, Delaware 19938-8903 U.S.A. • www.eaglegrp.com
- Phone: 302/653-3000 • (Foodservice) 800/441-8440 • (MHC/Retail) 800/637-5100
- Fax: 302/653-2065