



Profit from the Eagle Advantage®

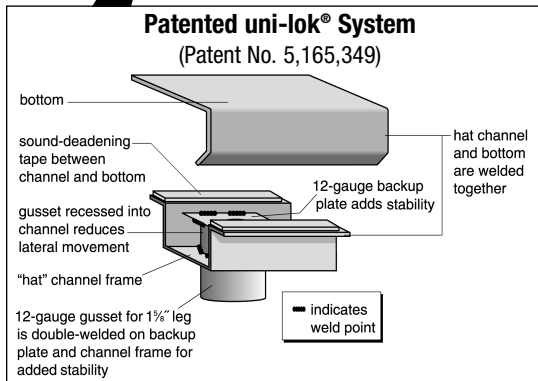
# Specification Sheet

## Short Form Specifications

Eagle Spec-Master® Enclosed Base Worktable, model \_\_\_\_\_ . Top is 14/304 stainless steel, sides and back are heavy gauge stainless steel. (Open Front, Stainless steel Sliding Doors, or Stainless steel Hinged Door) models with 1½" rolled edge on front and rear, sides turned down. Constructed with uni-lok® patented gusset system, with the gussets recessed into the hat channels to reduce lateral movement. 1½" O.D. stainless steel tubular legs with adjustable bullet feet.



enclosed worktable with sliding doors



Item No.: \_\_\_\_\_  
 Project No.: \_\_\_\_\_  
 S.I.S. No.: \_\_\_\_\_

## Spec-Master® Enclosed Worktables with Flat Top

### MODELS:

- |                                    |                                    |                                     |
|------------------------------------|------------------------------------|-------------------------------------|
| <input type="checkbox"/> OB2436SE  | <input type="checkbox"/> CB2436SE  | <input type="checkbox"/> CBH2436SE  |
| <input type="checkbox"/> OB2448SE  | <input type="checkbox"/> CB2448SE  | <input type="checkbox"/> CBH2448SE  |
| <input type="checkbox"/> OB2460SE  | <input type="checkbox"/> CB2460SE  | <input type="checkbox"/> CBH2460SE  |
| <input type="checkbox"/> OB2472SE  | <input type="checkbox"/> CB2472SE  | <input type="checkbox"/> CBH2472SE  |
| <input type="checkbox"/> OB2484SE  | <input type="checkbox"/> CB2484SE  | <input type="checkbox"/> CBH2484SE  |
| <input type="checkbox"/> OB2496SE  | <input type="checkbox"/> CB2496SE  | <input type="checkbox"/> CBH2496SE  |
| <input type="checkbox"/> OB24120SE | <input type="checkbox"/> CB24120SE | <input type="checkbox"/> CBH24120SE |
| <input type="checkbox"/> OB3036SE  | <input type="checkbox"/> CB3036SE  | <input type="checkbox"/> CBH3036SE  |
| <input type="checkbox"/> OB3048SE  | <input type="checkbox"/> CB3048SE  | <input type="checkbox"/> CBH3048SE  |
| <input type="checkbox"/> OB3060SE  | <input type="checkbox"/> CB3060SE  | <input type="checkbox"/> CBH3060SE  |
| <input type="checkbox"/> OB3072SE  | <input type="checkbox"/> CB3072SE  | <input type="checkbox"/> CBH3072SE  |
| <input type="checkbox"/> OB3084SE  | <input type="checkbox"/> CB3084SE  | <input type="checkbox"/> CBH3084SE  |
| <input type="checkbox"/> OB3096SE  | <input type="checkbox"/> CB3096SE  | <input type="checkbox"/> CBH3096SE  |
| <input type="checkbox"/> OB30120SE | <input type="checkbox"/> CB30120SE | <input type="checkbox"/> CBH30120SE |

### Design and Construction Features

- All-welded design.
- Available with open front, sliding doors, or hinged doors.
- Doors are 20 gauge type 430 stainless steel.
- Top mechanically polished to satin finish.
- Sound-deadened between top and frame.
- 1½" (42mm)-diameter type 304 stainless legs.
- 1" (25mm) stainless steel adjustable bullet feet.
- 1½" (38mm) sanitary rolled rim on front and back with square edge on ends for flush fit.
- Optional fixed center shelf available. To order, add suffix "-CS" to model number. Example: OB2436SE-CS

### Options / Accessories

- |  |  |
|--|--|
| <input type="checkbox"/> Lock (for units with doors) | <input type="checkbox"/> Center shelf    |
| <input type="checkbox"/> Casters*                    | <input type="checkbox"/> Sound deadening |
| <input type="checkbox"/> Overshelf                   |  |

\* To order table with 4" (102mm)-diameter casters, add suffix "-CA" (ex: OB3048SE-CA). To order table with 5" (127mm)-diameter casters, add suffix "-CAH" (ex: CB3048SE-CAH).

### EAGLE GROUP

100 Industrial Boulevard, Clayton, DE 19938-8903 USA  
 Phone: 302-653-3000 • 800-441-8440 • Fax: 302-653-2065  
 www.eaglegrp.com  
 www.eaglemhc.com

For custom configuration or fabrication needs, contact our SpecFAB® Division.  
 Phone: 302-653-3000 • Fax: 302-653-2065 • e-mail: quotes@eaglegrp.com



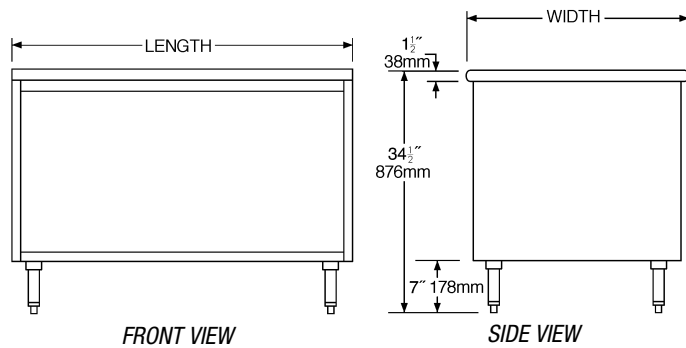
EG10.30 Rev. 11/23

Spec sheets available for viewing, printing or downloading from our online literature library at our websites



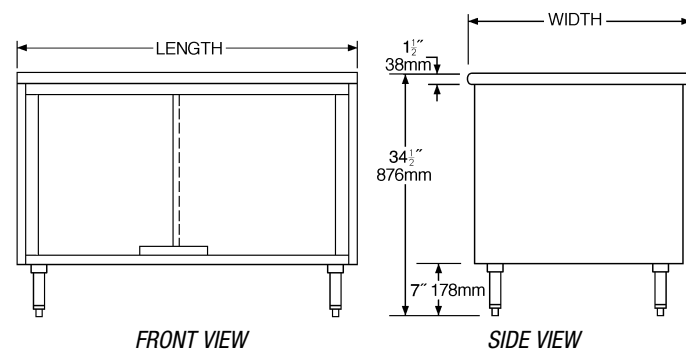
Item No.: \_\_\_\_\_  
 Project No.: \_\_\_\_\_  
 S.I.S. No.: \_\_\_\_\_

**Spec-Master® Enclosed Worktables with Open Front**



model #	width		length		weight		no. of legs
	in.	mm	in.	mm	lbs.	kg	
OB2436SE	24"	610	36"	914	179	81.2	4
OB2448SE	24"	610	48"	1219	238	108.0	4
OB2460SE	24"	610	60"	1524	298	135.2	4
OB2472SE	24"	610	72"	1829	357	161.9	4
OB2484SE	24"	610	84"	2134	417	189.2	6
OB2496SE	24"	610	96"	2438	476	215.9	6
OB24120SE	24"	610	120"	3048	595	269.9	6
OB3036SE	30"	762	36"	914	186	84.4	4
OB3048SE	30"	762	48"	1219	248	112.5	4
OB3060SE	30"	762	60"	1524	309	140.2	4
OB3072SE	30"	762	72"	1829	371	168.3	4
OB3084SE	30"	762	84"	2134	431	195.5	6
OB3096SE	30"	762	96"	2438	494	224.1	6
OB30120SE	30"	762	120"	3048	616	279.4	6

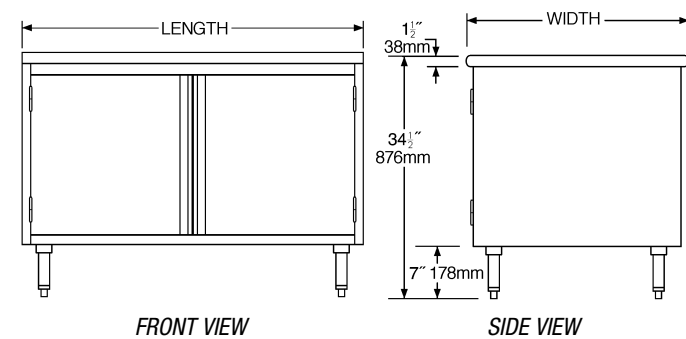
**Spec-Master® Enclosed Worktables with Sliding Doors**



model #	width		length		weight		no. of legs
	in.	mm	in.	mm	lbs.	kg	
CB2436SE	24"	610	36"	914	186	84.4	4
CB2448SE	24"	610	48"	1219	249	113.0	4
CB2460SE	24"	610	60"	1524	311	141.1	4
CB2472SE	24"	610	72"	1829	369	167.4	4
CB2484SE*	24"	610	84"	2134	435	197.3	6
CB2496SE*	24"	610	96"	2438	497	225.4	6
CB24120SE*	24"	610	120"	3048	621	281.7	6
CB3036SE	30"	762	36"	914	202	91.6	4
CB3048SE	30"	762	48"	1219	270	122.5	4
CB3060SE	30"	762	60"	1524	336	152.4	4
CB3072SE	30"	762	72"	1829	404	183.3	4
CB3084SE*	30"	762	84"	2134	471	213.7	6
CB3096SE*	30"	762	96"	2438	539	244.5	6
CB30120SE*	30"	762	120"	3048	672	304.8	6

\* Note: Worktables 84" (2134mm) and longer have two sets of doors.

**Spec-Master® Enclosed Worktables with Hinged Doors**



model #	width		length		weight		no. of legs
	in.	mm	in.	mm	lbs.	kg	
CBH2436SE	24"	610	36"	914	197	89.4	4
CBH2448SE	24"	610	48"	1219	263	119.3	4
CBH2460SE	24"	610	60"	1524	328	148.8	4
CBH2472SE	24"	610	72"	1829	394	178.7	4
CBH2484SE*	24"	610	84"	2134	459	208.2	6
CBH2496SE*	24"	610	96"	2438	525	238.1	6
CBH24120SE*	24"	610	120"	3048	656	297.6	6
CBH3036SE	30"	762	36"	914	207	93.9	4
CBH3048SE	30"	762	48"	1219	276	125.2	4
CBH3060SE	30"	762	60"	1524	344	156.0	4
CBH3072SE	30"	762	72"	1829	413	187.3	4
CBH3084SE*	30"	762	84"	2134	482	218.6	6
CBH3096SE*	30"	762	96"	2438	551	249.9	6
CBH30120SE*	30"	762	120"	3048	689	313.5	6

\* Note: Worktables 84" (2134mm) and longer have two sets of doors.

**EAGLE GROUP**  
 100 Industrial Boulevard, Clayton, DE 19938-8903 USA  
 Phone: 302-653-3000 or 800-441-8440 • Fax: 302-653-2065  
 www.eaglegrp.com • www.eaglehmc.com

Printed in U.S.A.  
 ©2023 by Eagle Group

Rev. 11/23

Spec sheets available for viewing, printing or downloading from our online literature library at our websites

Although every attempt has been made to ensure the accuracy of the information provided, we cannot be held responsible for typographical or printing errors. Information and specifications are subject to change without notice. Please confirm at time of order.