



Profit from the Eagle Advantage®

Specification Sheet

Short Form Specifications

Eagle 2200 Series Cocktail Unit, model _____. Top, front, backsplash and ice bin to be heavy gauge type 304 stainless steel. Fabricated ice bin is fully insulated, with 1½" drain and plastic bottle holders. 1½" O.D. galvanized tubular legs with adjustable bullet feet.

Eagle 2200 Series Cocktail Unit with Sealed-In Cold Plate, model _____. Top, front, backsplash and ice bin to be heavy gauge type 304 stainless steel. Fabricated ice bin is fully insulated, with sealed-in 7-circuit cold plate and 1½" drain. 1½" O.D. galvanized tubular legs with adjustable bullet feet.



model #B2CT-22 cocktail unit

Options / Accessories

Stainless steel leg kits (see below)

Optional Stainless Steel Leg Kits for Cocktail Units	
add suffix #	description
-SL	stainless steel leg assemblies
-SLF	stainless steel leg assemblies & stainless steel feet
-SLG	stainless steel leg assemblies & stainless steel gussets
-SLGF	stainless steel leg assemblies, stainless steel feet & gussets

EAGLE GROUP

100 Industrial Boulevard, Clayton, DE 19938-8903 USA
 Phone: 302-653-3000 • 800-441-8440 • Fax: 302-653-2065
 www.eaglegrp.com
 www.eaglehmc.com

For custom configuration or fabrication needs, contact our SpecFAB® Division.
 Phone: 302-653-3000 • Fax: 302-653-2065 • e-mail: quotes@eaglegrp.com

Item No.: _____
 Project No.: _____
 S.I.S. No.: _____

2200 Series Cocktail Units

MODELS:

- | | | |
|----------------------------------------|----------------------------------------|-----------------------------------------|
| <input type="checkbox"/> B2CT-22 | <input type="checkbox"/> B3CT-22 | <input type="checkbox"/> B40CT-22 |
| <input type="checkbox"/> B2CT-22-7 | <input type="checkbox"/> B3CT-22-7 | <input type="checkbox"/> B40CT-22-7 |
| <input type="checkbox"/> B2CT-12D-22 | <input type="checkbox"/> B3CT-12D-22 | <input type="checkbox"/> B40CT-12D-22 |
| <input type="checkbox"/> B2CT-12D-22-7 | <input type="checkbox"/> B3CT-12D-22-7 | <input type="checkbox"/> B40CT-12D-22-7 |
| <input type="checkbox"/> B2CT-16D-22 | <input type="checkbox"/> B3CT-16D-22 | <input type="checkbox"/> B40CT-16D-22 |
| <input type="checkbox"/> B2CT-16D-22-7 | <input type="checkbox"/> B3CT-16D-22-7 | <input type="checkbox"/> B40CT-16D-22-7 |

Design and Construction Features

- Bullnose front edge.
- All units are modular, allowing for custom configurations using standard components.
- Type 304 stainless steel front.
- Insulated fabricated ice bins.
- Ice bins are 8", 12", or 16" deep (203, 305, or 406mm) .
- Bottom, back panels, and ends are galvanized steel.
- Six-bottle capacity on B2CT models;
Eight-bottle capacity on B3CT and B40 models.
- 1½" (38mm) NPT drain.
- B3 and B40 models are NSF-approved.
- Post-mix cold plates: aluminum casting with seven stainless steel beverage grade tubing circuits. Post-mix cold plates are mounted flush with interior bottom of bowl for easy cleaning and maximum efficiency. Drain is ½" (13mm) NPT and located in center of post-mix cold plate. ¼" (6mm) O.D. tubing beverage connection provided. Foam insulation provides support for cold plates.
- Front-to-back is 24" (610mm).

Certifications / Approvals



AutoQuotes



EG40.09 Rev. 04/24

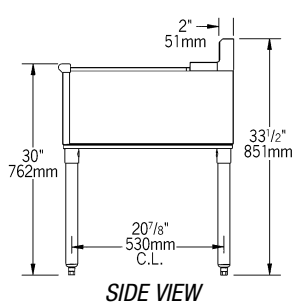
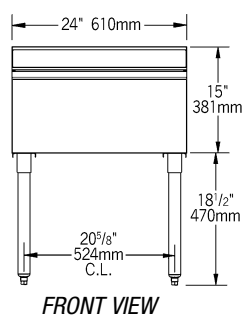
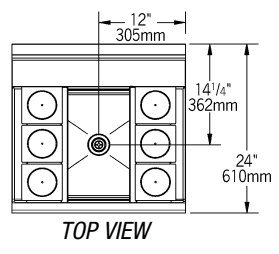
Spec sheets available for viewing, printing or downloading from our online literature library at our websites



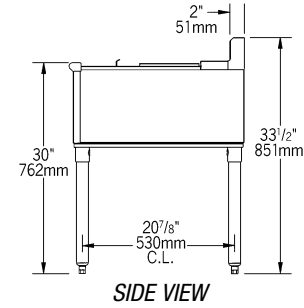
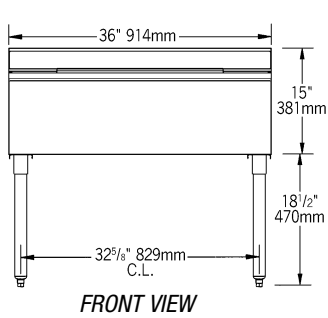
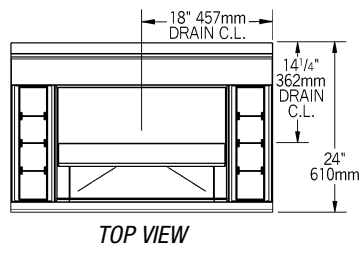
Item No.: _____
 Project No.: _____
 S.I.S. No.: _____

2200 Series Cocktail Units

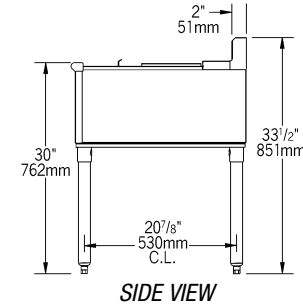
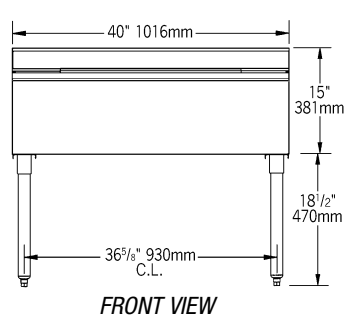
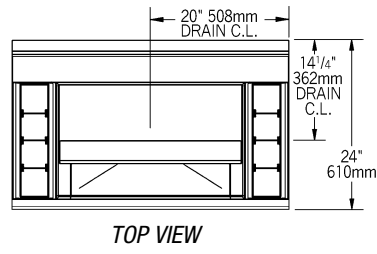
#B2CT-22



#B3CT-22



#B40CT-22



Units without Cold Plate			Units with Post-Mix Cold Plate*			width	length	ice bin depth		ice capacity	
model #	shipping weight * lbs.	kg	model #	shipping weight * lbs.	kg			in.	mm	in.	mm
B2CT-22	56	25.4	B2CT-22-7	133	60.3	24"	610	8"	203	63	28.6
B2CT-12D-22	59	26.8	B2CT-12D-22-7	137	62.1	24"	610	12"	305	94	42.6
B2CT-16D-22	61	27.7	B2CT-16D-22-7	141	64.0	24"	610	16"	406	125	56.7
B3CT-22**	71	32.2	B3CT-22-7**	153	69.4	24"	610	8"	203	63	28.6
B3CT-12D-22**	75	34.0	B3CT-12D-22-7**	159	72.1	24"	610	12"	305	94	42.6
B3CT-16D-22**	78	35.4	B3CT-16D-22-7**	163	73.9	24"	610	16"	406	125	56.7
B40CT-22**	88	39.9	B40CT-22-7**	173	78.3	24"	610	8"	203	74	33.6
B40CT-12D-22**	92	41.7	B40CT-12D-22-7**	177	80.3	24"	610	12"	305	110	49.9
B40CT-16D-22**	95	43.1	B40CT-16D-22-7**	181	82.1	24"	610	16"	406	146	66.2

* Units with cold plate shipped wooden-crated.
 ** Includes stainless steel sliding cover.

EAGLE GROUP
 100 Industrial Boulevard, Clayton, DE 19938-8903 USA
 Phone: 302-653-3000 or 800-441-8440 • Fax: 302-653-2065
 www.eaglegrp.com • www.eaglemhc.com

Printed in U.S.A.
 ©2024 by Eagle Group
 Rev. 04/24

Spec sheets available for viewing, printing or downloading from our online literature library at our websites

Although every attempt has been made to ensure the accuracy of the information provided, we cannot be held responsible for typographical or printing errors. Information and specifications are subject to change without notice. Please confirm at time of order.