

# DESIGNER LINE REFRIGERATOR/FREEZER

## Model: D2RFESNHD

Natural Refrigerant R-290 Model

### 2-Section Dual Temp Extra-Wide Reach-In Refrigerator/Freezer (0°F) - Shallow Depth

**D2RFESNHD** - Stainless steel front, aluminum end panels and interior

**D2RFESNSAHD** - Stainless steel exterior, aluminum interior

**D2FESNSSHD** - Stainless steel exterior and interior



## Options and Accessories

(upcharge and lead times may apply)

Stainless steel case back	Custom laminates
Additional epoxy coated steel shelves	Special electrical req. (consult factory)
Chrome or stainless steel shelves	<b>Correctional Facility Options</b>
Rehinging of doors (consult factory)	<ul style="list-style-type: none"> <li>One way security screws</li> </ul>
Wine rack	<ul style="list-style-type: none"> <li>Locking hasp (lock not included)</li> </ul>
Casters	<ul style="list-style-type: none"> <li>Stainless steel mesh cover</li> <li>Coverless hinges</li> </ul>

Consult factory for other model configurations, options and accessories.



Project Name:

Model Specified:

Location:

Item No:

Quantity:

AIA #:

SIS #:

## Standard Model Features

### REFRIGERATION SYSTEM

Separate, self contained, performance rated refrigeration systems (coil housing in cabinet zones)

Natural, environmentally safe, high efficiency R-290 refrigerant<sup>1</sup>

Expansion valve system

### CABINET ARCHITECTURE

3" non-CFC polyurethane foam insulation

Smooth, polished chrome workflow door handles

Cam action, lift off hinges

Self-closing doors

Magnetic snap in Santoprene™ door gaskets

Cylinder lock in each door

Heavy duty, epoxy coated steel shelves

Heavy duty pilaster strips

Adjustable 6" stainless steel legs

### MODEL FEATURES

LED interior lighting

Electronic controllers with digital display & hi-low alarm

Off-cycle defrost (refrigerator section)

Automatic electric defrost (freezer section)

<sup>1</sup> R-290 refrigerant meets all federal and state regulatory requirements.

APPROVAL:

# Model Specifications

## DIMENSIONAL DATA

Net Capacity (cu. ft.)	18/18 (510/510 cu l)
Width, Overall (inches)	57 (1448 mm)
Depth, Overall (inches) (including handles)	29 1/4 (743 mm)
Depth (inches) (less doors)	25 7/8 (657 mm)
Depth (inches) (doors open 90°)	51 1/8 (1299 mm)
Clear Door Width (inches)	21 7/8 (556 mm)
Clear Door Height (inches)	58 5/8 (1489 mm)
Height, Overall (inches) (including 6" legs)	83 1/4 (2115 mm)
Number of Doors	2
Number of Shelves	6
Shelf Area (square feet) (per section)	20.4 (1.9 sq m)

## REFRIGERANT DATA

Condensing Unit Size (H.P.)	1/4, 1/2
Capacity (BTU per hour)*	1940, 1590

## ELECTRICAL DATA

Voltage (International)	115/60/1 (220/50/1)
Feed Wires (including ground)	3 / 3
Total Amps (International)	5.9 (3.9), 7.6 (4.2)
Defrost Amps (International)	4.2 (4.2)
(2) 10 ft. Cord/Plug [attach.] (International)	Yes (No)

## SHIPPING DATA

Height - Crated (inches)	85 1/2 (2172 mm)
Width - Crated (inches)	64 (1626 mm)
Depth - Crated (inches)	42 (1067 mm)
Volume - Crated (cu. ft.)	133 (3766 cu l)
Weight Std - Crated (pounds)	620 (281 kg)
Weight SS - Crated (pounds)	705 (320 kg)

\* Rating @ +25°F evaporator, 90°F ambient (refrigerator)

\* Rating @ -15°F evaporator, 90°F ambient (freezer)

Figures in parentheses reflect metric equivalents rounded to the nearest whole unit.



Equipped with two NEMA-5-15P Plugs  
(varies by country)

**Continental**  
Refrigerator

Toll-Free: 800-523-7138  
Phone: 215-244-1400  
Fax: 215-244-9579

539 Dunksferry Road  
Bensalem, PA 19020  
[www.continentalrefrigerator.com](http://www.continentalrefrigerator.com)

Due to our continued efforts in developing innovative products, specifications subject to change without notice.

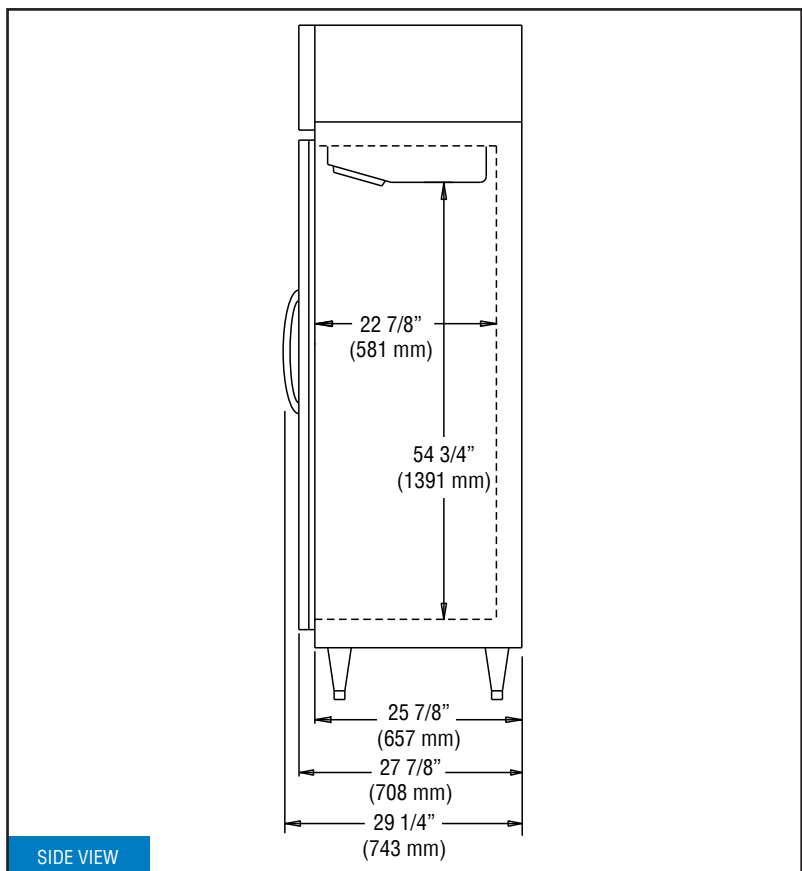
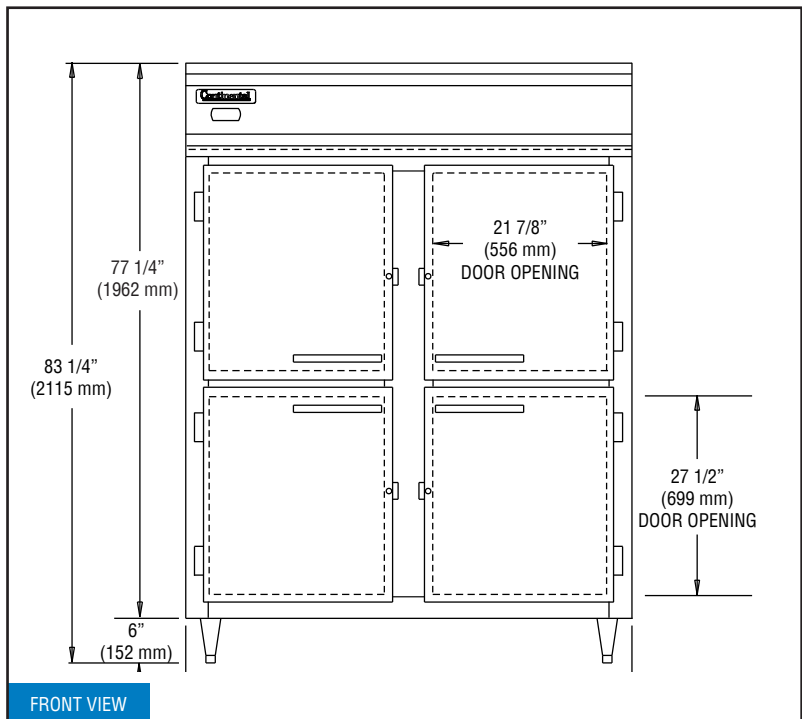


PROUDLY  
DESIGNED & ASSEMBLED  
IN THE U.S.A.

**Intertek**

© Copyright 2021. Continental Refrigerator.  
A Division of National Refrigeration & Air Conditioning Products, Inc.

# Model Plan Views



**IMPORTANT NOTE:** If the cabinet is located directly against a wall and/or under a low ceiling, a minimum clearance of 12" is required on top and 3" on sides and rear.

REVISED: 5/27/2024