



Profit from the Eagle Advantage®

# Specification Sheet

## Short Form Specifications

Eagle Spec-Bar® Pass-Thru Ice Chest, model B24PTIC. Heavy gauge type 304 stainless steel body, legs, leg channels and crossbracing. Ice chest to be 10½" deep with foamed-in-place insulation, non-metallic breaker strip to prevent heat transfer, and stainless steel sliding cover. Stainless steel adjustable bullet feet.



B24PTIC pass thru ice chest

## Options / Accessories

- 2-circuit post-mix cold plate
- 8-circuit post-mix cold plate
- 10-circuit post-mix cold plate
- Speed rails

Item No.:	_____
Project No.:	_____
S.I.S. No.:	_____

# Spec-Bar® Pass Thru Ice Chest

MODEL:

B24PTIC

## Design and Construction Features

- Body, legs and crossbracing constructed of type 304 stainless steel for strength and corrosion resistance.
- Front panel and ice compartment are 20 gauge stainless steel; top panel is 18 gauge stainless steel; and leg channels, legs and crossbracing are 16 gauge stainless steel.
- Ice bin insulated with foamed-in-place insulation for maximum efficiency.
- Ice bin interior depth is 10½" (267mm).
- Non-metallic breaker strip prevents heat transfer to ice bin.
- All models have removable type 304 stainless steel sliding cover for cleaning ease.
- Standard model drain includes a 1½" (38mm) tailpiece and post-mix cold plate model drains have ½" (13mm) NPT.
- 2-circuit, 8-circuit, and 10-circuit post-mix cold plates available. Post-mix cold plates have ¼" (6mm) O.D. stainless steel tubing with swaged end connection.
- 1½" (41mm) diameter type 304 stainless steel legs with stainless steel adjustable bullet feet.
- Tubing access hole dimensions are 7/8" x 2 7/8" (22 x 73mm) and capacity per hole is 12 lines of ¼" I.D. x 3/8" O.D. (6 x 10mm) nylon braided tubing.

## EAGLE GROUP

100 Industrial Boulevard, Clayton, DE 19938-8903 USA  
 Phone: 302-653-3000 • 800-441-8440 • Fax: 302-653-2065  
[www.eaglegrp.com](http://www.eaglegrp.com)  
[www.eaglemhc.com](http://www.eaglemhc.com)

For custom configuration or fabrication needs, contact our SpecFAB® Division.  
 Phone: 302-653-3000 • Fax: 302-653-2065 • e-mail: [quotes@eaglegrp.com](mailto:quotes@eaglegrp.com)



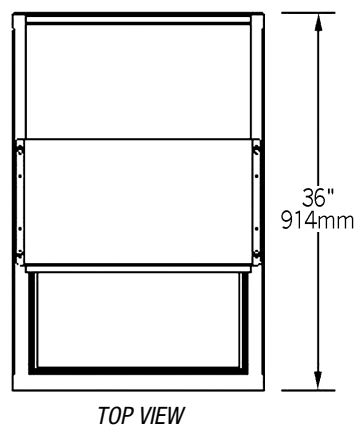
EG40.18 Rev. 04/24

Spec sheets available for viewing, printing or downloading from our online literature library at our websites

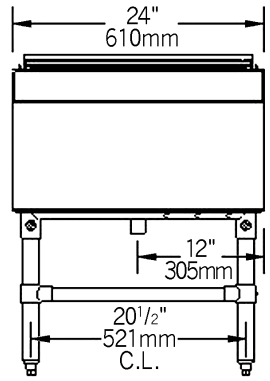


Item No.: \_\_\_\_\_  
 Project No.: \_\_\_\_\_  
 S.I.S. No.: \_\_\_\_\_

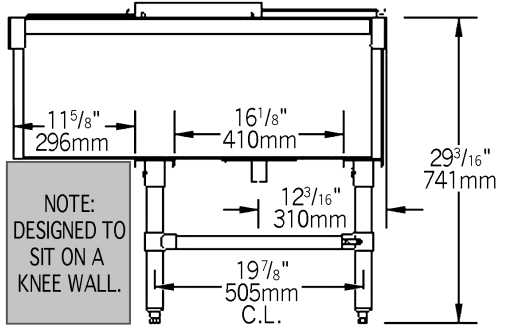
# Spec-Bar® Pass Thru Ice Chest



TOP VIEW



FRONT VIEW



NOTE:  
DESIGNED TO  
SIT ON A  
KNEE WALL.

SIDE VIEW

model #	width		length		weight		capacity	
	in.	mm	in.	mm	lbs.	kg	lbs.	kg
<b>B24PTIC</b>	36"	914	24"	610	100	45.4	175	79.4

**EAGLE GROUP**  
 100 Industrial Boulevard, Clayton, DE 19938-8903 USA  
 Phone: 302-653-3000 or 800-441-8440 • Fax: 302-653-2065  
 www.eaglegrp.com • www.eaglehmc.com

Printed in U.S.A.  
 ©2024 by Eagle Group  
**Rev. 04/24**

**Spec sheets available for viewing, printing or downloading from our online literature library at our websites**

Although every attempt has been made to ensure the accuracy of the information provided, we cannot be held responsible for typographical or printing errors. Information and specifications are subject to change without notice. Please confirm at time of order.