

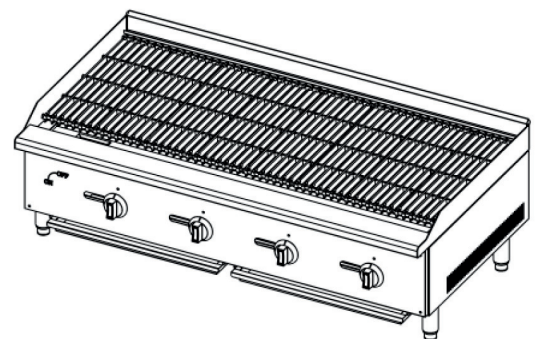
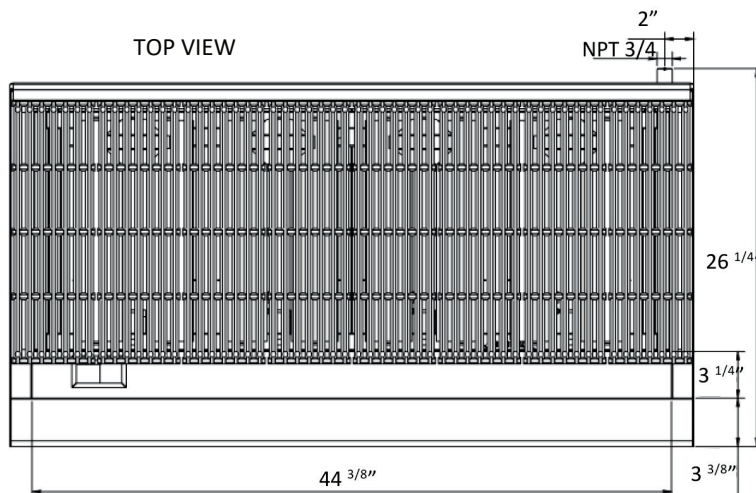
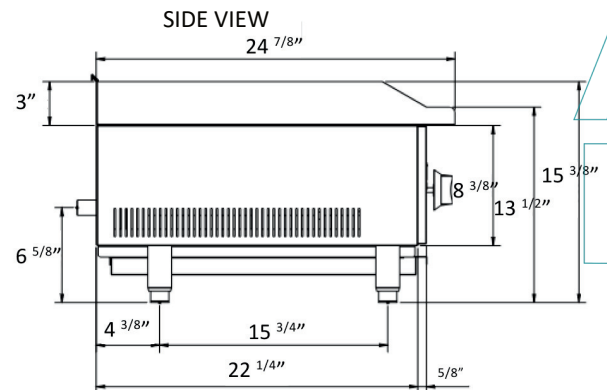
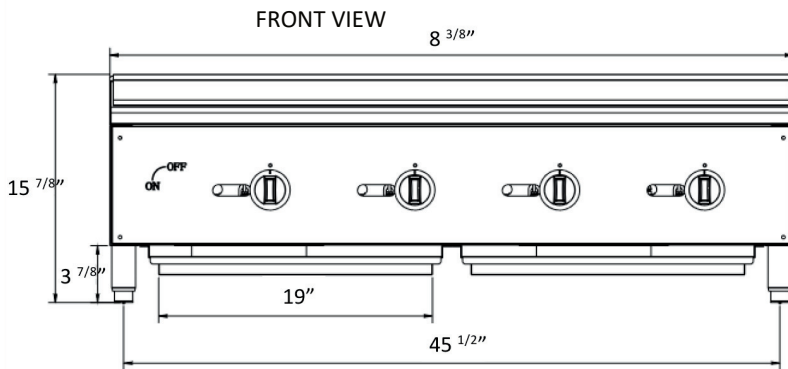


HURAKAN

Technical Data

| | |
|--------------------|-------------|
| Heating Source | Radiant |
| Installation Type | Countertop |
| Number of Burners | 4 Burners |
| Number of Controls | 4 |
| Power Type | Natural Gas |
| Total BTU | 90000 BTU |
| Usage | Medium Duty |

Plan View





Notes & Details

Gas Charbroiler.

Introducing our U-shape steel burner, meticulously engineered to deliver powerful performance for your culinary needs. Each burner boasts an impressive output of 30,000 BTU/hr, ensuring consistent heat for precision cooking.

Designed with convenience in mind, the burner is controlled every 12 inches for optimal regulation, providing precise temperature management. With a standby pilot feature, ignition is effortless, ensuring a seamless start every time.

Crafted for durability, the burner features stainless steel adjustable heavy-duty legs for stability and longevity. The zinc alloy knob, coated with chrome, offers a sleek and ergonomic control interface.

A large oil collector at the bottom ensures easy cleanup and maintenance, while the ability to effortlessly convert between natural gas and propane adds versatility to suit your cooking preferences.

Combining functionality with aesthetics, the burner showcases a stainless steel front panel, complemented by galvanized sides and back for enhanced resilience. Available in a range of sizes including 16", 24", 36", 48", and 60", this burner accommodates various cooking setups.

Completing the design, a robust cast iron grate provides a sturdy cooking surface, while manual control allows for precise adjustments to meet your culinary demands.

Elevate your cooking experience with our versatile and reliable U-shape steel burner.

Instructions and images in this manual are only for reference and may differ from the actual product. Launch the E-Manual.