



Project Name: \_\_\_\_\_

Location: \_\_\_\_\_

Item #: \_\_\_\_\_

Qty: \_\_\_\_\_

## Adcraft 55 Cup Coffee Urn, in Silver

CUA55



Built for efficiency, durability and consistent brewing, the Adcraft 55 Cup Coffee Urn is ideal for keeping coffee hot and ready for extended periods. Made of durable aluminum, this commercial coffee urn has an attractive, sleek design that complements any serving area. It is perfect for serving large quantities of coffee in settings like hotels, catering events, banquet halls, offices and restaurants. This urn has a generous 55-cup capacity and keeps coffee hot and fresh for hours, ensuring a steady supply for guests.

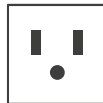
### Features and Construction

- Made of durable aluminum
- 72" cord
- An indicator light informs you that the brewing cycle is done and coffee is ready
- 55 cup capacity
- Features a coffee-level gauge and interior water level markings
- Automatic temperature control keeps coffee hot for hours
- Two-way dripless faucet for single-cup or continuous filling
- Includes cleaning tool
- Dimensions are 12.87" x 13.46" x 17.83"
- Covered by the Adcraft One-Year Limited Warranty

### Electric

120V / 1500W / 12.5A  
Cord Length (Inches): 72"  
Plug Type: B  
Cord set included

TYPE B



### 3rd Party Approvals



### Warranty (USA / Canada)

Protected by Admiral Craft Equipment Corporation's one-year limited warranty.

Contact Admiral Craft Equipment for details at 1-877-672-7740



### Included Components

Coffee Urn & Self-locking Lid, Brewing Basket with Measuring Marks, Cleaning Tool

### Capacity

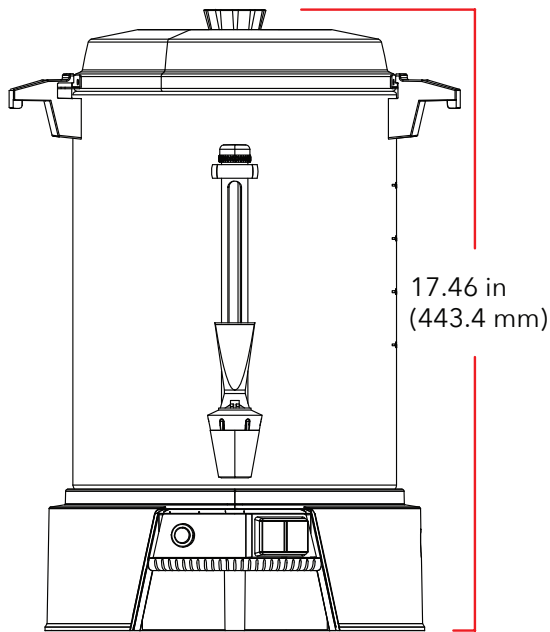
55 Cup (270 oz)



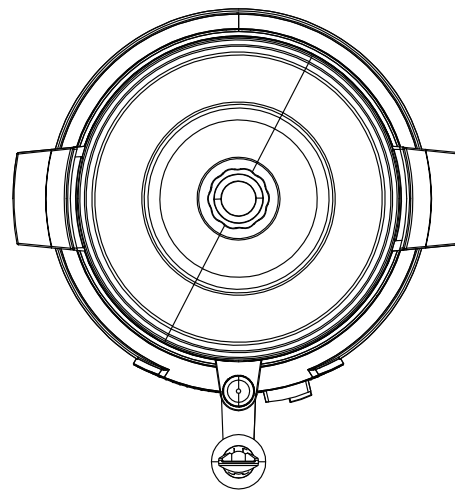
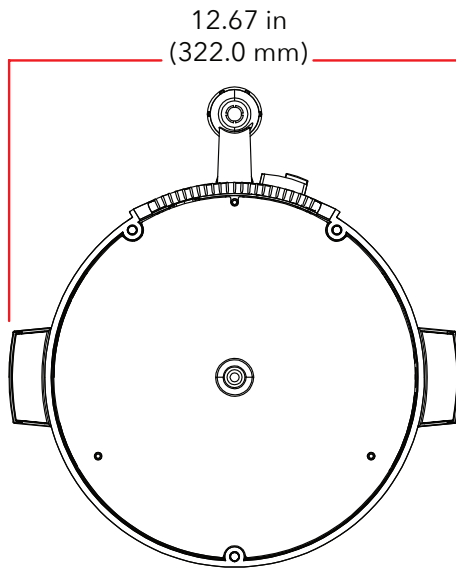
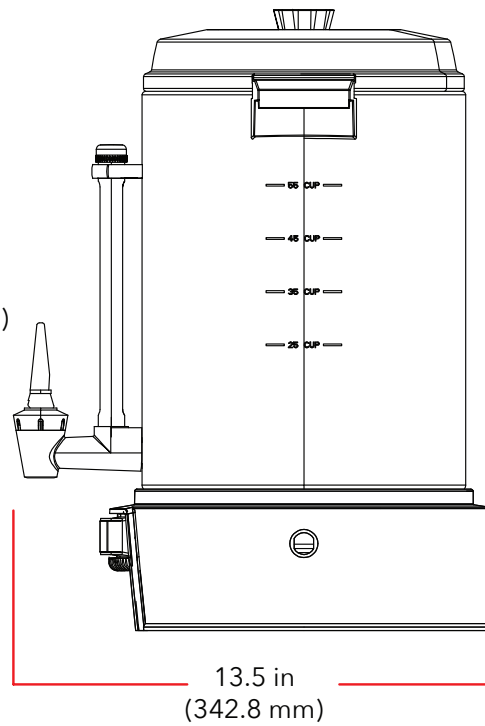
# Adcraft 55 Cup Coffee Urn, in Silver

CUA55

FRONT



SIDE



TOP

## Coffee Urn

Control Type	Capacity	Assembled Dimensions L x W x H (in)	Package Dimensions L x W x H (in)	Item Weight (lb)	Shipping Weight (lb)
Manual	55 Cup (270 oz) 8L	12.87" x 13.46" x 17.83"	13.39" x 13.39" x 17.32"	6.5	8.5

Due to periodic changes in designs, methods, procedures, policies and regulations, the specifications contained in this document are subject to change without notice. While we exercise good faith efforts to provide information that is accurate, we are not responsible for errors or omissions in information provided or conclusions reached as a result of using the specifications. By using the information provided, the user assumes all risks in connection with such use.