



The Legacy Companies  
 3355 Enterprise Avenue, Suite 160, Fort Lauderdale, FL 33331  
 Sales: (954) 202-7419 • Sales@TheLegacyCompanies.com

Project Name: \_\_\_\_\_  
 Location: \_\_\_\_\_  
 Item #: \_\_\_\_\_ Qty: \_\_\_\_\_  
 Model: \_\_\_\_\_

**S-15-T**

**POTATO & VEGETABLE PEELER- BENCH TYPE**

A knife is suited for carving ship models and novelties but has no place in peeling potatoes and vegetables. Hand peeling is slow and costly. Speed up your menu production and save costly man hours in the kitchen with Blakeslee "No Gear" peeler. They are the ultimate in streamlined functional design and engineering achievement.  
 \* The T in the model number indicates a TIMER is included with this model.



**FEATURES**

- Easy to clean
- Adjustable 5-minute timer
- Cast aluminum discharge chute
- Dual V-belt
- Motor and Drive unit sealed off against moisture to assure trouble free performance

**CAPACITY**

- 15lbs(23kg) - 20lbs(9kg) in 1-3mins
- Serves 45-50 people per cycle when potatoes are mashed in Blakeslee Mixer

**CONSTRUCTION & FINISH**

- Stainless steel unit
- Removable cover is lightweight molded polystyrene

**DISCHARGE CHUTE**

- Rust-proof and easy-to-clean aluminum
- Hinged door, no gasket, for fingertips is all that is required to open and close door
- Trough is in the discharge chute to catch seepage returning it to the machine
- Trough and door without a gasket eliminates problems of a gasket wearing out and water seeping past the door
- Self-closing door when released from open position

**MOTORS**

- 1/3 HP
- 115V/ 60/1
- Greased packed, ball bearing ventilated motor
- Cord and plug included

**TIMER**

- Timer range from 0 to 5 mins

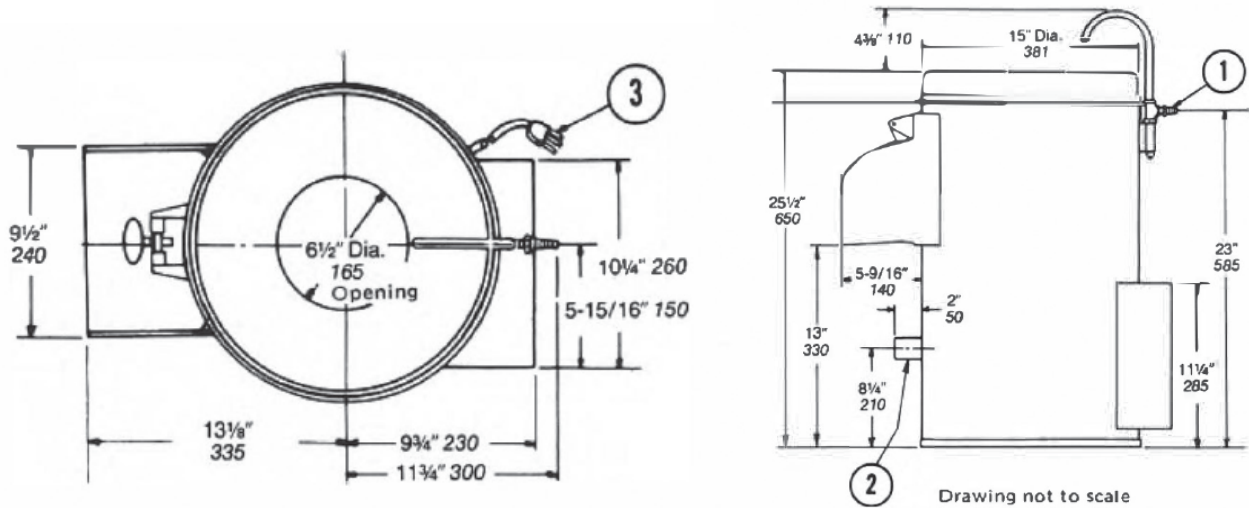
**DRIVE**

- Dual V-Belt drive provides speed reduction between motor and abrasive peeling disc for efficient peeling action
- Standard size V-belt for easy replacement
- Adjustment and replacing of belt without dismantling machine
- Stainless steel drive shaft
- Design and construction machine and seal system insures water-tight drive area

**ABRASIVE DISC**

- Rustproof cast aluminum abrasive peeling disc are included
- Abrasive carborundum is permanently cast into disc
- Light in weight for easy removal

Due to periodic changes in designs, methods, procedures, policies and regulations, the specifications contained in this sheet are subject to change without notice. While we exercise good faith efforts to provide information that is accurate, we are not responsible for errors or omissions in information provided or conclusions reached as a result of using the specifications. By using the information provided, the user assumes all risks in connection with such use.

**POTATO & VEGETABLE PEELER- BENCH TYPE**


NO.	CONNECTION	FITTING	FUNCTION
1	Cold Water	½ (13mm) Hose Fitting	Peel Flushing Spray
2	Waste-Sewer	1½ (38mm) Drain Tubing	Cylinder Drain
3	Electrical	1/3 HP Motor	Cord & Plug

**General Notes**

**Model S-15T** Furnished with 0-5 minute adjustable timer and a "hold" for continuous operation. (Single phase only)

**Model S-15-** Furnished with "on and off" switch in lieu of timer (Single or 3 phase).

**APPROXIMATE SHIPPING SPECIFICATIONS**

MODEL	Domestic Crated	Export Boxed	Export Cubed	Weight	Dimensions
S-15-T	110lbs / 50kg	150lbs / 68kg	11.3ft / 0.32m <sup>3</sup>	136lbs / 61kg	25"(635mm) x 28"(710mm) x 28"(710mm)