

# Champion<sup>®</sup>

The Dishwashing Machine Specialists

PROJECT: \_\_\_\_\_

ITEM # \_\_\_\_\_ QTY: \_\_\_\_\_

MODEL # \_\_\_\_\_

AIA # \_\_\_\_\_ SIS # \_\_\_\_\_

## 86 PRO Electric

### HIGH TEMPERATURE 2-TANK ELECTRIC RACK CONVEYOR



Rendered image is for general visual representation only. Please refer to specifications for the latest detailed product information.



#### STANDARD FEATURES

- **64" Single Tank + 22" Prewash**
- **Perpetual Rack Advance System** with digital jam monitoring, and mechanical drive protection
- **Automated Delime Function** with user-customizable alert intervals
- **348 Racks Per Hour**
- **.28 Gallons/Rack With Energy Sentinel** (idle pump shut-off)
- **Advanced Touchscreen Display** intuitive condition alerts, with user friendly cleaning and operation visual guidance, multi-lingual
- **Enhanced Visual On-board Diagnostics** quickly identify machine faults for rapid resolution and less downtime
- **Automatic Tank Fill**
- **Programmable Machine Dwell** pauses rack in wash zone for extended cleaning, NSF Certified Pot & Pan Mode
- **Automatic Drain Valve**
- **Single-Piece Hood Design**
- **Single-Piece Scrap Screen** more robust and faster cleaning
- **Single-Piece Stainless Steel Upper And Lower Wash Arm Manifolds**
- **20" Standard Vertical Clearance** accommodates 18" x 26" sheet pans
- **Fully Insulated Doors** open a full 180° for unrestricted cleaning access
- **All Stainless Steel Heavy Gauge Construction** including base, legs and feet
- **Enclosure Panels** (front and sides)
- **2 HP Pump Motors** with stainless steel impellers
- **Factory Authorized Start-Up**
- **Vent Fan Control**
- **Made in America**

#### SPECIFIER STATEMENT

Specified unit will be Champion model 86 PRO Series 2-tank high temperature rack conveyor dishwashing machine. Features top mounted prodigy HMI user interface controls with proactive maintenance software, proportional rinse, using only 100 GPH, optional built-in 21kW booster, progressive anti-jam drive system, energy sentinel (idle pump shut-off), 348 racks per hour, single-piece hood design, single-piece stainless steel upper & lower wash arms manifolds, full 180° opening leak proof insulated hinged access doors.

**1 Year parts and labor warranty.**

**In the USA:**  
3765 Champion Blvd, Winston-Salem, NC 27105  
Tel: (336) 661-1556 Fax: (336) 661-1979  
[www.championindustries.com](http://www.championindustries.com)

**In Canada:**  
2674 N. Service Rd., Jordan Station, Ontario, Canada LORISO  
Tel: (905) 562-4195 Fax: (905) 562-4618  
[www.championindustries.com/1canada](http://www.championindustries.com/1canada)

#### ACCESSORIES

- Drain water tempering kit (unmounted)
- Table limit switch, unmounted (recommended on all rack conveyor installations) (unmounted)
  - o WHISKER STYLE
  - o BUTTON STYLE
- Vent cowl, stainless steel with 7" stacks & locking dampers
- Extended vent cowl, with 7" stacks, locking dampers & external curtain
- Flanged feet (unmounted)
- Water hammer kit (unmounted)
- Chemical pump kit (detergent and rinse aid, mounted and interwired)
- Water pressure regulating valve (unmounted; standard with booster)
- ION scale prevention device (unmounted)
- Water softening system (manufactured, warrantied and serviced by Kinetico)
- Dish racks:
  - o PEG RACK
  - o FLAT RACK
  - o SHEET PAN RACK
- Splash shields
- Cantilever sideloader (without hood) for 90° load operation
  - o 24" SIDELOAD
  - o 30" SIDELOAD (ACCEPTS SHEET PANS)
- Model PRO-90B unloader (90° corner conveyor table)
- Model PRO-90B loader (90° corner conveyor table)
- Model RCT 64 or RCT 84 roller conveyor table (see factory for custom length)
- Stainless steel rear enclosure panels
- Correctional package (contact factory)

#### OPTIONS

- 33" Blower dryer – electric
- Booster heaters (completely interplumbed, controls are interwired)
  - o 40°F RISE (BUILT-IN) (FIELD CONVERTED)
  - o 70°F RISE (BUILT-IN)
- Direct link connectivity solution
- Direct link plus+ connectivity solution

**Cantilever  
Sideloader**  
(no hood)



**PRO-90B**  
90° Corner Conveyor  
table loader and  
unloader available



**Model RCT 64 or RCT 84**  
Roller conveyor table



#### UTILITIES

|           |  |
|-----------|--|
| <b>1</b>  | <b>Electrical Connections</b><br>A Machine electrical connection<br>B Booster electrical connection  |
| <b>2</b>  | <b>Hot Water</b><br>Machine with built-in booster Main connection 3/4" NPT<br>110° incoming water  |
| <b>4</b>  | <b>Hot Water</b><br>Machine with no booster Main water connection 3/4" NPT<br>180° incoming water  |
| <b>5A</b> | <b>Drain</b><br>Connection 1-1/4" NPT<br>Drain Max Flow Rate (g/min) 15  |
| <b>8</b>  | <b>Vents</b><br>A Stack connection – load end 150 CFM @ 1/4" static pressure<br>B Stack connection – unload end 400 CFM @ 1/4" static pressure |

**Warning:** Plumbing and electrical connections should be made by qualified personnel who will observe all the applicable plumbing, sanitary, and safety codes and the National Electrical Code.

**Note:** Water Hammer Arrestor (meeting ASSE-1010 standard or equivalent) to be supplied (by others) in common water supply line at service connection.

**Plumbing Notes:** Because of the variation in house-supplied steam and water pressures, steam and water pressure regulating valves (PRVs) may be needed. (Water PRV is standard on machines with booster.) The PRVs can either be purchased from Champion or obtained locally.

Water hardness of 3 grains/US Gal (0.83 Imp Gal) – 5.3 Mg/L or less

**Venting Notes:** Fabricated duct size: 3-7/8" x 15-7/8" (outside dimensions)

**Optional Drain Tempering:** 1/2" NPT cold water connection required. 1/2" NPT drain connection from back flow preventer to house drain. (FIELD INSTALLED and PLUMBED).

#### SPECIFICATIONS

| Capacity   |     |
|--|-----|
| Racks per hr (NSF rated)   | 348 |
| Wash tank (US gal.)  | 17  |
| Power rinse tank (US gal.)   | 17  |
| Prewash tank (US gal.)   | 9   |
| Conveyor speed (ft/min)  | 9.6 |
| Conveyor speed Pot/Pan Mode (ft/min)<br>(only one rack at a time in pot/pan) | 4.6 |
| Motor Horsepower   |     |
| Drive  | 1/6 |
| Prewash  | 2   |
| Wash   | 2   |
| Power Rinse  | 2   |
| Water Consumption  |     |
| US Gal. per hr (max. use)  | 100 |
| US Gal. per rack   | .28 |
| Heating  |     |
| Tank Heat, electric (kW)   | 15  |
| Power rinse, electric (kW)   | 10  |
| Electric booster (built-in) (kW supplied for 40°F rise)                      | 12  |
| Electric booster (built-in) (kW supplied for 70°F rise)                      | 21  |
| Booster heaters completely inter plumbed, controls are interwired.           |     |
| Venting  |     |
| Load end (minimum CFM)   | 150 |
| Unload end (minimum CFM)   | 400 |
| Standard 20"x 20" Rack Complement  |     |
| Peg  | 1   |
| Flat   | 1   |

## Two Tank PRO Rack Machine and Booster Ratings

The tables below give the ratings for each model. The ratings include the requirements of the 12 and 21 kW booster heaters when they are in use.

#### Machines with a Dual point electrical connection:

| 86 PRO Electric Tank Heat, 21 kW Booster Only |            |  |                                       |
|---|------------|--|---------------------------------------|
| Elec. Specs                                   | Rated Amps | Minimum Supply Ckt. Conductor Ampacity | Maximum Overcurrent Protective Device |
| 208/60/3                                      | 59         | 80                                     | 80                                    |
| 240/60/3                                      | 51         | 70                                     | 70                                    |
| 480/60/3                                      | 26         | 35                                     | 35                                    |
| 575/60/3                                      | 22         | 30                                     | 30                                    |

| 86 PRO Electric Tank Heat, 12 kW Booster Only |            |  |                                       |
|---|------------|--|---------------------------------------|
| Elec. Specs                                   | Rated Amps | Minimum Supply Ckt. Conductor Ampacity | Maximum Overcurrent Protective Device |
| 208/60/3                                      | 34         | 45                                     | 45                                    |
| 240/60/3                                      | 29         | 40                                     | 40                                    |
| 480/60/3                                      | 15         | 20                                     | 20                                    |
| 575/60/3                                      | 12         | 15                                     | 15                                    |

| 86 PRO Electric Tank Heat, No Booster |            |  |                                       |
|---------------------------------------|------------|--|---------------------------------------|
| Elec. Specs                           | Rated Amps | Minimum Supply Ckt. Conductor Ampacity | Maximum Overcurrent Protective Device |
| 208/60/3                              | 98         | 125                                    | 125                                   |
| 240/60/3                              | 85         | 110                                    | 110                                   |
| 480/60/3                              | 42         | 60                                     | 60                                    |
| 575/60/3                              | 33         | 45                                     | 45                                    |

#### Machines with a Single point electrical connection:

| 86 PRO Electric Tank Heat, 21 kW 70°F Booster |            |  |                                       |
|---|------------|--|---------------------------------------|
| Elec. Specs                                   | Rated Amps | Minimum Supply Ckt. Conductor Ampacity | Maximum Overcurrent Protective Device |
| 208/60/3                                      | n/a        | n/a                                    | n/a                                   |
| 240/60/3                                      | 136        | 175                                    | 175                                   |
| 480/60/3                                      | 68         | 90                                     | 90                                    |
| 575/60/3                                      | 55         | 70                                     | 70                                    |

| 86 PRO Electric Tank Heat, 12 kW 40°F Booster |            |  |                                       |
|---|------------|--|---------------------------------------|
| Elec. Specs                                   | Rated Amps | Minimum Supply Ckt. Conductor Ampacity | Maximum Overcurrent Protective Device |
| 208/60/3                                      | 132        | 175                                    | 175                                   |
| 240/60/3                                      | 114        | 150                                    | 150                                   |
| 480/60/3                                      | 57         | 80                                     | 80                                    |
| 575/60/3                                      | 45         | 60                                     | 60                                    |

**Note:**

Machine ships as a dual point electrical connection standard. Easily converted to a single point connection by a qualified electrician (except as show in above tables).

# Champion®

The Dishwashing Machine Specialists

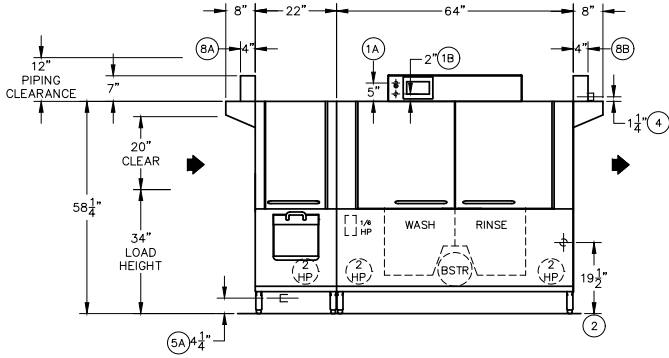
# 86 PRO Electric

## HIGH TEMPERATURE 2-TANK ELECTRIC RACK CONVEYOR

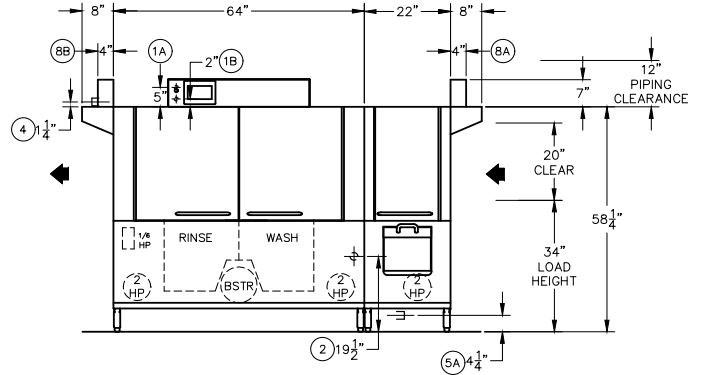
Shipping weight crated: 1,200 lbs. Dimensions shown in inches

### Front View

### Left to Right Model

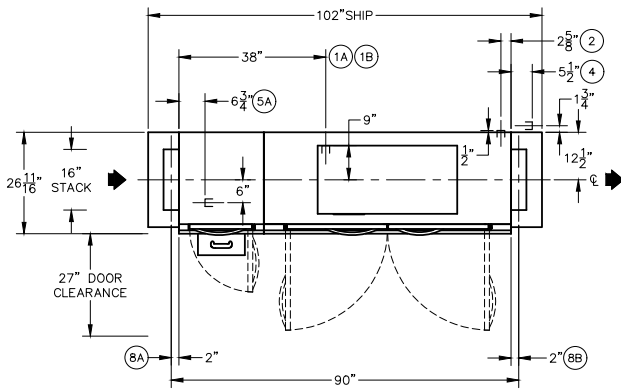


### Right to Left Model

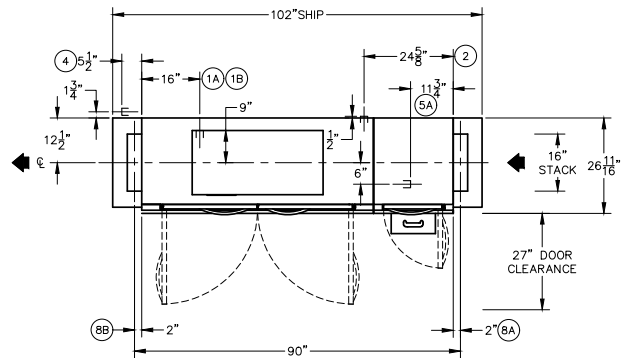


### Plan View

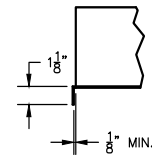
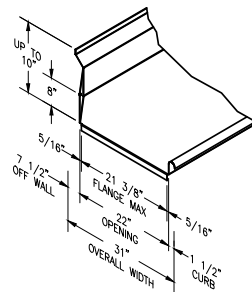
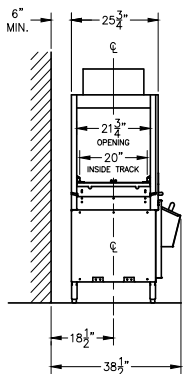
### Left to Right Model



### Right to Left Model



### End View



### Suggested Table Construction

### Flange Details

In the USA: 3765 Champion Blvd, Winston-Salem, NC 27105 | Tel: (336) 661-1556 Fax: (336) 661-1979 | [www.championindustries.com](http://www.championindustries.com)

In Canada: 2674 N. Service Rd., Jordan Station, Ontario, Canada LORISO | Tel: (905) 562-4195 Fax: (905) 562-4618 | [www.championindustries.com/1canada](http://www.championindustries.com/1canada)

Rev. 08/2024 Printed in U.S.A.

Due to an ongoing value analysis program at Champion, specifications contained in this catalog are subject to change without notice.