

MODEL: IDC-VML15 *Fish Display Cases VML Malaga Series.*

General Strengths

- ✓ **Sanitation.** The interior cabinet is a drain for the evacuation of cleaning liquids or for breakage of some container.
- ✓ **Control systems.** Higher precision in managing temperature settings. Greater ability to adjust temperature ranges as per the end user's requirement.
- ✓ **100% Tested.** All condenser units are tested 100%, in helium chambers to refrigerant leak detections.
- ✓ **Lighting.** Interior cabinet includes LED lighting, for brighter lighting and energy efficiency.
- ✓ **Certified.** Audited and Certified by **INTERTEK** for compliance with UL 471 and NSF 7. AENOR audited and certified by internationally recognized firm. ISO 9001:2015 (Quality); ISO 14001:2015 (Environmental); OSHAS 18001:2007 (Prevention and Worker Safety).



IDC-VML15

Revision: 01 Date: 01/08/2019 VML15 FT 62 1

MODEL	Dimensions (inches) (mm)			Thicknesses Lateral (inches) (mm)	Ref.	Ref. Weight (Lbs.) (gr.)	Temp. Range (°F) (°C)	Capacity (Cu. Ft.) (L)	Cond. Unit. H.P.	Case Amps 115 V.	Ice Load Capacity (LB)	Crated Weight (Lbs.) (Kg.)
	W	D	H									
IDC-VML15	64-5/8 1542	35-7/16 900	52-9/16 1335	1-9/16+1-9/16 40+40	R134a	1.21 550	30°F/34°F -1°C/+1°C	8.40 237	1/2	7.6	32	485 220

FTL LISTED TO UL471 STANDARD AND SANITATION CLASSIFIED TO NSF7 – WE RESERVE THE RIGHT TO CHANGE SPECIFICATIONS WITHOUT PRIOR NOTICE



Infrico USA Corp.
 1409 N.W. 84th Avenue
 Doral, FL 33126
 1.305.777.9599 Office
 1.305.777.9598 Fax

www.infrico.us
sales@infrico.com

APPROVALS: _____
AVAILABLE AT: _____



MODEL: IDC-VML15

Fish Display Cases VML Malaga Series.

STANDARD FEATURES

➤ Exterior

- AISI 304 Stainless Steel,
- AISI 304 Stainless Steel worktop,
- Secured curve glass,
- Sliding back doors,

➤ Interior

- AISI 304 Stainless Steel,
- Enameled steel base,
- Internal drain plug for easy cleaning,
- LED lighting,

➤ Insulation

- CFC-Free polyurethane insulation, entire cabinet structure is foamed-in place using a high-density polyurethane insulation,
- Low GWP & Zero ODP effect.

➤ Refrigeration

- Temperature and defrost regulated by a digital controller.
- Manual defrosts,
- Ventilated condensation system.
- Static evaporation system + plate.
- Evaporator coil coated with anti-corrosion material 100% Polyester,
- Refrigeration capacity: 4122 Btu/h (14°F) / 1208 W (-10°C).

➤ Electrical

- Cord and NEMA 5-20P plug,
- Electrical connection is 115V / 1ph / 60 Hz.

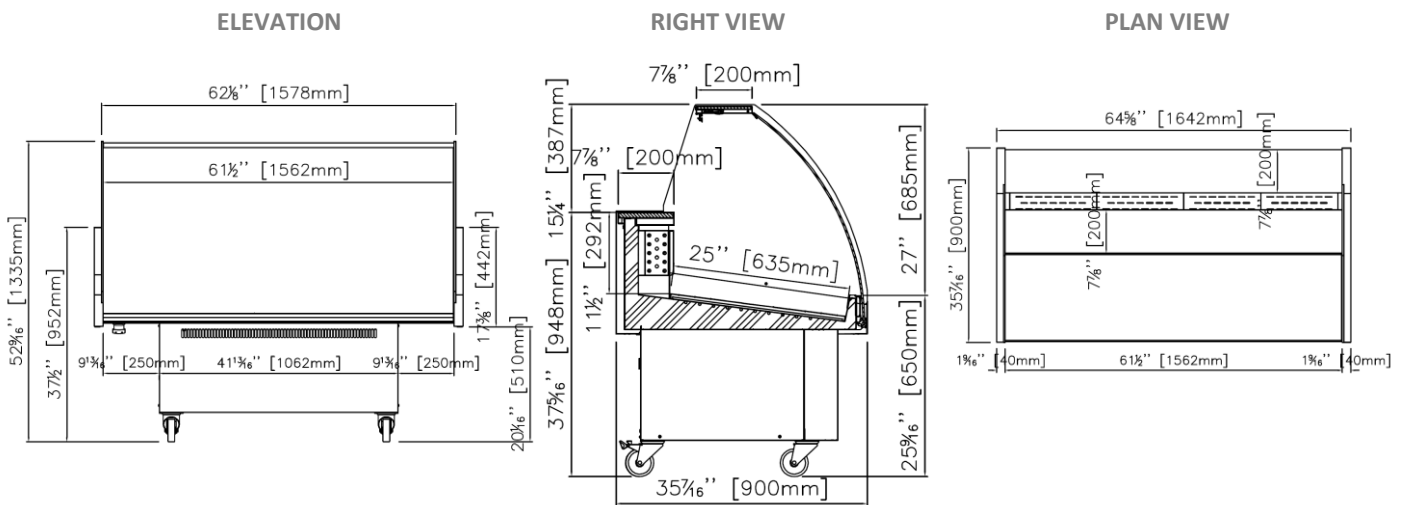


➤ ETL Listed to UL471 Standard and Sanitation classified to NSF7.

OPTIONAL FEATURES

- ✓ Frontal LED lighting,
- ✓ Electrical connection is 230 V / 1ph / 50 Hz (plug type varies).

PLAN VIEW



ETL LISTED TO UL471 STANDARD AND SANITATION CLASSIFIED TO NSF7 - WE RESERVE THE RIGHT TO CHANGE SPECIFICATIONS WITHOUT PRIOR NOTICE



Infrico USA Corp.
 1409 N.W. 84th Avenue
 Doral, FL 33126
 1.305.777.9599 Office
 1.305.777.9598 Fax

www.infrico.us
sales@infrico.com

APPROVALS: _____ AVAILABLE AT: _____