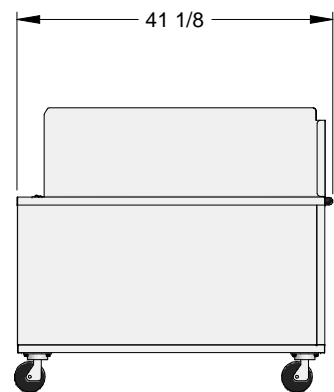
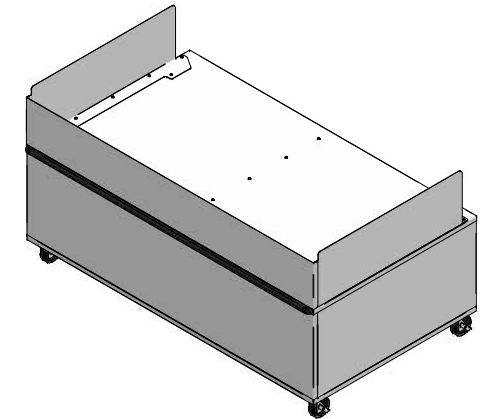
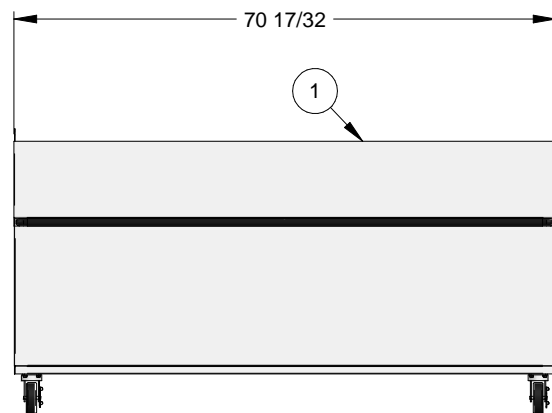


TOP

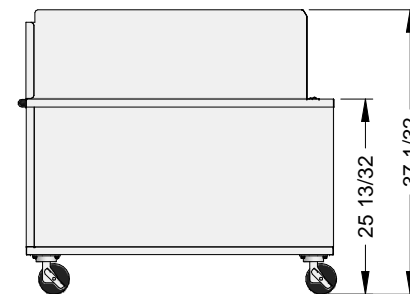


LEFT

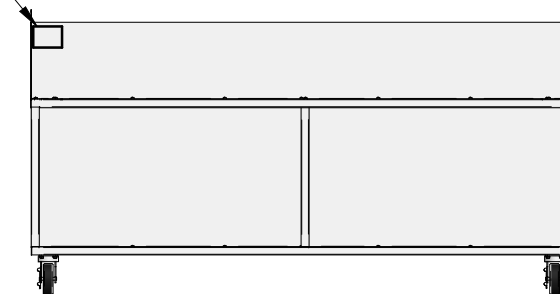


FRONT

USE APPROPRIATE SERIAL LABEL



RIGHT



BACK



BOTTOM

DEBURRING: PART TO BE FREE OF ALL BURRS AND SHARP EDGES.

ITEM	PART NO.	DESCRIPTION	QTY
1	94746	ASSY, CABINET, GHM6 BASE	1

A	RELEASE FOR PRODUCTION	11/02/15	FFJ	ECO
SYM.	DESCRIPTION	DATE	BY	ECO #
REVISIONS				
		RESTRICTED CONFIDENTIAL DOCUMENT		
		<small>THIS DRAWING AND ALL THE INFORMATION SHOWN HEREON ARE THE EXCLUSIVE PROPERTY OF GILES ENTERPRISES, INC. AND ARE SUBMITTED ONLY ON A CONFIDENTIAL BASIS. THE RECIPIENT AGREES NOT TO REPRODUCE THE DRAWING, TO RETURN IT UPON REQUEST, AND THAT NO DISCLOSURE OF THE DRAWING OR THE INFORMATION SHOWN HEREON WILL BE MADE TO A THIRD PARTY WITHOUT THE PRIOR WRITTEN CONSENT OF GILES ENTERPRISES, INC.</small>		
SHEET METAL DEPT. <small>DECIMALS .XX = ±.031 .XXX = ±.020 ANGULAR ± 2°</small>		TITLE: <b>BASE, PUP-6 FOR GHM6-C, S/S</b>		
MACHINE SHOP <small>DECIMALS .XX = ±.010 .XXX = ±.005 ANGULAR ± 0.5°</small>		SUBJECT/MODEL: <b>PUP-6</b>		
WELDING/ASSEMBLY DEPT. <small>DECIMALS/FRACTIONS ±1/32 ANGULAR ± 0.5°</small>		RAW MAT'L: DEPT.: <b>ASSEMBLY</b>		
TOLERANCES UNLESS OTHERWISE SPECIFIED		DWG. BY: <b>FFung</b>		DATE: <b>11/2/2015</b>
		CH. BY:	SCALE: <b>NONE</b>	DWG. NO.: <b>71656</b>