

Vertical Contact Toaster | VCTM-2



With its small footprint, the VCTM-2 is a perfect fit for any operation where high-quality bun toasting is the objective.

The VCTM-2 also features a variable speed motor that provides operations with flexibility for future menu items and allows for light/dark adjustments. It toasts two buns simultaneously and features an individual heel and crown compression knobs that allow operations to easily adjust toast quality.

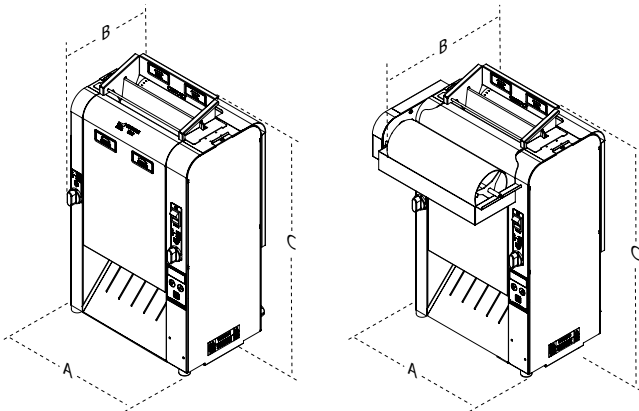
With a smaller footprint than the standard Vertical Contact Toaster, the VCTM-2 is a perfect fit for any operation where space is limited.

FEATURES

- Toasts two complete buns simultaneously for increased capacity.
- Variable speed motor provides operations with flexibility for future menu items and allows for light/dark adjustments.
- Compact footprint is approximately 30% smaller than the VCT-2000.
- Available with motorized butter wheel to give buns a flavorful toast.
- Available with an auxiliary heater that warms all sides of buns.
- Individual heel and crown compression.
- Digital controller to adjust temperature.

Vertical Contact Toaster | VCTM-2

Dimensions



| Model & Mfg. No. | Width (A) | Depth (B) | Height (C) |
|------------------|-----------|-----------|------------|
|------------------|-----------|-----------|------------|

VCTM-2

| | | | |
|------------------------------|-----------------|---------------------|---------------------|
| VCTM-2 9210960 9210959 | 14" (356 mm) | 10 1/2" (268 mm) | 25 1/2" (648 mm) |
|------------------------------|-----------------|---------------------|---------------------|

VCTM-2 with Auxiliary Heater

| | | | |
|------------------------------|-----------------|---------------------|---------------------|
| VCTM-2 9210915 9210916 | 14" (356 mm) | 10 1/2" (268 mm) | 25 1/2" (648 mm) |
|------------------------------|-----------------|---------------------|---------------------|

VCTM-2 with Auxiliary Heater and Butter Wheel

| | | | |
|------------------------------|---------------------|---------------------|---------------------|
| VCTM-2 9210913 9210914 | 15 1/4" (387 mm) | 14 3/4" (375 mm) | 25 1/2" (648 mm) |
|------------------------------|---------------------|---------------------|---------------------|

Bun Specifications

| Feeder Opening | Crowns | | Feeder Opening | Heels | |
|----------------|--------|------|----------------|-------|------|
| | Min. | Max. | | Min. | Max. |

| | | | | | |
|-------------------|-------------------|-------------------|-------------------|-------------------|-------------------|
| 1 3/4" (44 mm) | 13/16" (21 mm) | 1 1/8" (29 mm) | 1 1/2" (38 mm) | 33/64" (13 mm) | 53/64" (21 mm) |
|-------------------|-------------------|-------------------|-------------------|-------------------|-------------------|

Electrical Ratings and Plug Configuration

| Model & Mfg. No. | Volts | Watts | Hz. | Plug Description |
|------------------|-------|-------|-----|------------------|
|------------------|-------|-------|-----|------------------|

VCTM-2

| | | | | |
|-------------------|---------|------|-------|----------------------------------|
| VCTM-2 9210960 | 208-230 | 2100 | 50/60 | NEMA 6-20P 20 Amp., 250 Volt |
| VCTM-2 9210959 | 208-230 | 2100 | 50/60 | IEC-309 16 Amp., 220-250 Volt |

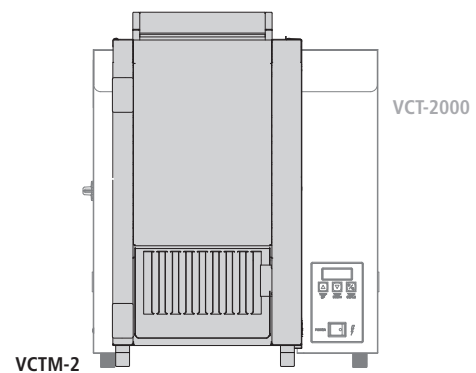
VCTM-2 with Auxiliary Heater

| | | | | |
|-------------------|---------|------|-------|----------------------------------|
| VCTM-2 9210915 | 208-230 | 3100 | 50/60 | NEMA 6-20P 20 Amp., 250 Volt |
| VCTM-2 9210916 | 208-230 | 3100 | 50/60 | IEC-309 16 Amp., 220-250 Volt |

VCTM-2 with Auxiliary Heater and Butter Wheel

| | | | | |
|-------------------|---------|------|-------|----------------------------------|
| VCTM-2 9210913 | 208-230 | 3100 | 50/60 | NEMA 6-20P 20 Amp., 250 Volt |
| VCTM-2 9210914 | 208-230 | 3100 | 50/60 | IEC-309 16 Amp., 220-250 Volt |

Size Comparison



With a footprint that is significantly smaller than the VCT-2000, the VCTM-2 can be easily integrated into any sized operation.

P/N 1020468 07/17