



SERVING THE FOOD INDUSTRY SINCE 1951

Countertop Refrigerated Prep Rail / Salad Bar Station

Item: 47861
Model: RS-CN-0004

47862
RS-CN-0008



An indispensable appliance that keeps ingredients or condiments fresh and hygienic while elevating culinary efficiency and maximizing your countertop space.

An ideal cold holding solution for any food service whether it's restaurant, buffet, catering, cafeteria or dessert bar.

Telephone: 1-800-465-0234

Fax: (905) 607-0234

Email: sales@omcan.com

Website: www.omcan.com



Authorized Dealer

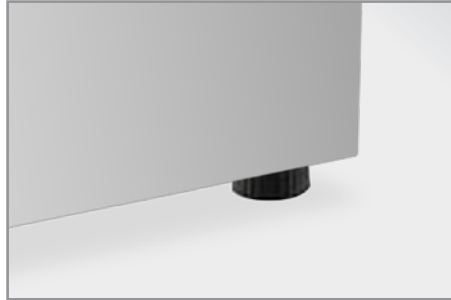


KEY FEATURES

- Unique angled design and compact size allow you to appealingly showcase food while maximizing work station
- Full stainless-steel construction is corrosion resistant providing durability and easy cleaning
- Fits 1/6 GN food pans (6" and 4" deep)
- Thermostat control allows consistent temperature regulation to keep ingredients and fresh items at food safe temperatures



Compact size that can fit perfectly on countertop or prep table in small spaces.



Adjustable non-slip feet allow easy leveling of equipment providing stability on different surfaces.

SPECIFICATION

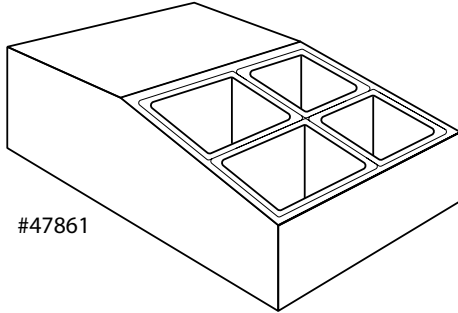
| Item | 47861 | 47862 |
|-----------------------|---|---|
| Model | RS-CN-0004 | RS-CN-0008 |
| Power | 160W | |
| Electrical | 110V / 60Hz / Horsepower - 1/12 | |
| Current | 1.4 A | |
| Number of Pans | 4 x GN 1/6 | 8 x GN 1/6 |
| Cooling system | Static | |
| Temperature range | 35.6 - 50°F / 2 - 10°C | |
| Thermostat Control | Mechanical | |
| Refrigerant | R600a/35gr | R600a/40gr |
| Evaporator material | Copper | |
| Condenser material | Copper | |
| Condenser fan | YES | |
| Adjustable foot | YES | |
| Net Weigh | 44 lbs / 20 kg | 55 lbs / 25 kg |
| Gross Weight | 51 lbs / 23 kg | 64 lbs / 29 kg |
| Net dimension (WDH) | 15" x 25.75" x 9.13" / 380 x 654 x 231 mm | 27.5" x 25.75" x 9.13" / 698 x 654 x 231 mm |
| Gross dimension (WDH) | 17.7" x 28.1" x 15" / 450 x 715 x 380 mm | 17.7" x 28.1" x 15" / 450 x 715 x 380 mm |

Countertop Refrigerated Prep Rail Salad Bar Station

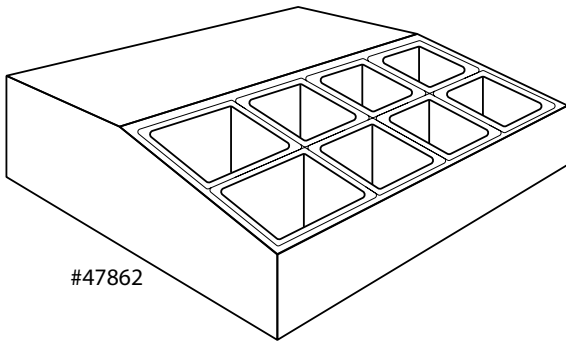
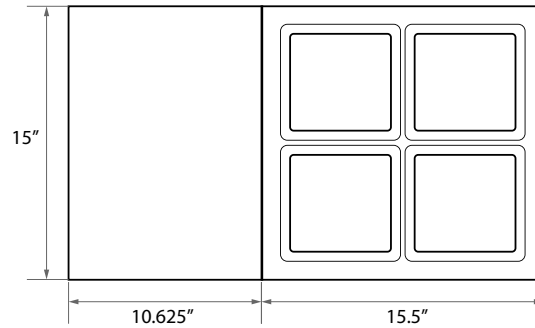
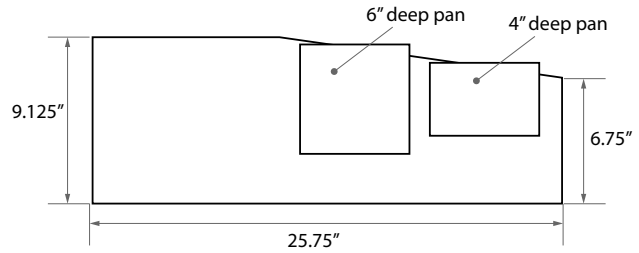


TECHNICAL DRAWING

(Measurements in diagrams are in inches)



#47861



#47862

