

Project: _____

Location: _____

Item #: _____ Quantity: _____

Model #: _____

**MODEL: IMD-ERV15IISD / IMD-ERV25IISD
IMD-ERV35IISD**

BACK BAR COLLERS: NARROW BACK BAR COOLERS SOLID DOOR STAINLESS STEEL



IMD-ERV15IISD



IMD-ERV25IISD



IMD-ERV35IISD

General Strengths

- ✓ **Sanitation.** Quick ability to take off shelves and slides for interior cleaning.
- ✓ **Doors.** All doors include door gaskets, easy to remove and snap in.
- ✓ **Control systems.** Higher precision in managing temperature settings. Greater ability for the adjustment of temperatures ranges as per the end user's requirement.
- ✓ **100% Tested.** All condenser units are tested 100%, in helium chambers for refrigerant leak detections.
- ✓ **Certified.** Audited and Certified by **INTERTEK** for compliance with UL 471 and NSF 7. EQA audited and certified by internationally recognized firm. ISO 9001:2015 (Quality); ISO 14001:2015 (Environmental); ISO 45001:2018 (Prevention and Worker Safety)
- ✓ **Lighting.** LED lighting in cabinet sides reduces the energy consumption by 80% and 90% compared to a traditional bulb. Provides a much better light quality.



Review:01 Date: 06/07/2023 IMD-ERV15_25_35_IISD

ETL LISTED TO UL471 STANDARD AND SANITATION CLASSIFIED TO NSF7 – WE RESERVE THE RIGHT TO CHANGE SPECIFICATIONS WITHOUT PRIOR NOTICE

Project: _____
 Location: _____
 Item #: _____ Quantity: _____
 Model #: _____

**MODEL: IMD-ERV15IISD / IMD-ERV25IISD
 IMD-ERV35IISD**

BACK BAR COLLERS: NARROW BACK BAR COOLERS SOLID DOOR STAINLESS STEEL

STANDARD FEATURES

➤ **Exterior**

- AISI 430 Stainless Steel.
- Completely injected compact structure.
- Door lock.

➤ **Interior**

- Interior prepainted.
- LED lighting.

➤ **Doors**

- Triple chamber snap in door seals for easy removal.
- Black plastic handle included on the door.

➤ **Insulation**

- Polyurethane with high density 40kg/m³, CFSs free, zero ODP and low GWP.

➤ **Shelving**

- IMD-ERV15IISD - (2) interior shelves, dimensions WxD: 19-3/4 x 1-1/16 (502X27 mm).
- IMD-ERV25IISD - (4) interior shelves, dimensions WxD: 19-3/4 x 1-3/32 (502x28 mm).
- IMD-ERV35IISD - (6) interior shelves, dimensions WxD: 19-3/4 x 1-7/32 (502X31 mm).
- Guides and shelves easy to take off for cleaning.

➤ **Refrigeration**

- Temperature and defrost regulated by a digital controller.
- Forced air evaporation system.
- Forced air condensation system.
- Evaporative pan.
- Evaporator coil coated with anti-corrosion material.
- Refrigeration capacity:
 IMD-ERV15IISD - 1512 Btu/h (14°F) / 443W (-10°C)
 IMD-ERV25IISD - 1512 Btu/h (14°F) / 443W (-10°C)
 IMD-ERV35IISD - 1512 Btu/h (14°F) / 443W (-10°C)

OPTIONAL FEATURES

- ✓ Set of 2" Casters, front locking
- ✓ Electrical connection is 230 V / 1ph / 50Hz (plug type varies).
 Models;
 - IMD-ERV15IISD: 1,41 A.
 - IMD-ERV25IISD: 1,72 A.
 - IMD-ERV35IISD: 1,73 A.
- ✓ Electrical connection is 230 V / 1ph / 60Hz (plug type varies).
- ✓ RGB LED lighting.

➤ **Electrical**

- Cord and NEMA 5-15P plug,
- Electrical connection is 115 V / 1ph / 60 Hz.



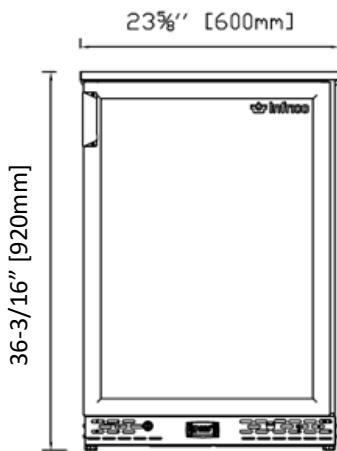
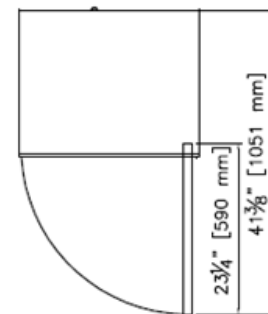
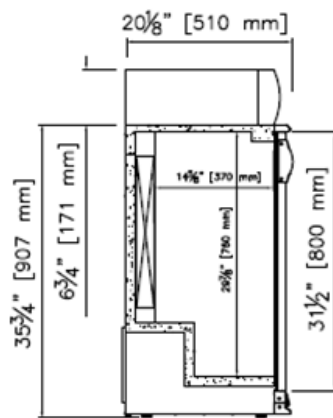
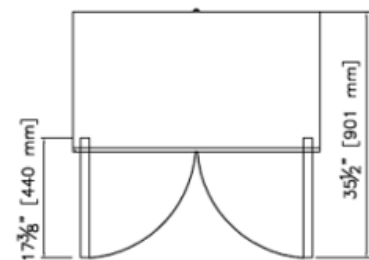
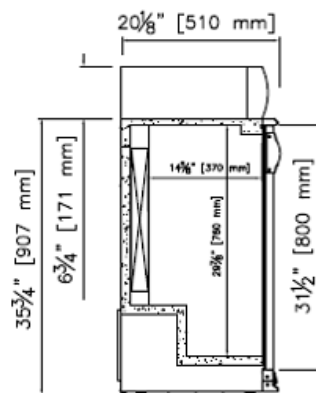
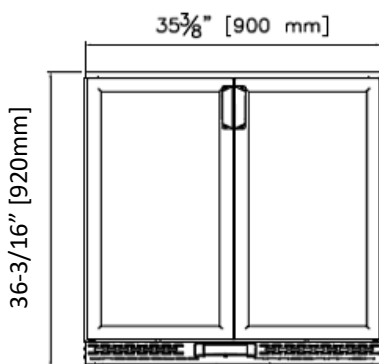
Review:1 Date: 06/07/2024 IMD-ERV15_25_35_IISD

ETL LISTED TO UL471 STANDARD AND SANITATION CLASSIFIED TO NSF7 – WE RESERVE THE RIGHT TO CHANGE SPECIFICATIONS WITHOUT PRIOR NOTICE



**MODEL: IMD-ERV15IISD / IMD-ERV25IISD
IMD-ERV35IISD**
BACK BAR COLLERS: NARROW BACK BAR COOLERS SOLID DOOR STAINLESS STEEL

MODELS	Dimensions (inches) (mm)			Doors	Shelves	Ref.	Ref. Weight (Lbs.) (gr.)	Temperature Range (°F) (°C)	Cond. Unit	Capacity (Cu.Ft.) (L)	Case Amps 115V	Crated weight (Lbs.) (Kg.)
	W	D	H									
IMD-ERV15IISD	23-5/8 (600)	20-1/8 (510)	36-3/16 (920)	1	2	R290	0,17 (80)	39 °F/54 °F (+4°C/+12°C)	1/5	5 (124)	3,63	152 70
IMD-ERV25IISD	35-3/8 (900)	20-1/8 (510)	36-3/16 (920)	2	4	R290	0,22 (100)	39 °F/54 °F (+4°C/+12°C)	1/5	8 (193)	3,89	202 92
IMD-ERV35IISD	53-1/8 (1350)	20-1/8 (510)	36-3/16 (920)	3	6	R290	0,22 (100)	39 °F/54 °F (+4°C/+12°C)	1/3	11,6 (296)	4	284 129

ELEVATION
RIGHT VIEW
PLANT VIEW

IMD-ERV15IISD

IMD-ERV25IISD




Project: _____

Location: _____

Item #: _____ Quantity: _____

Model #: _____

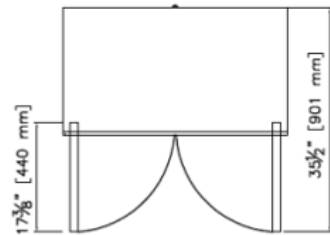
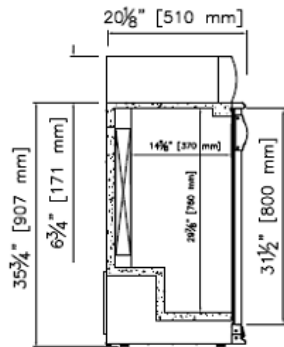
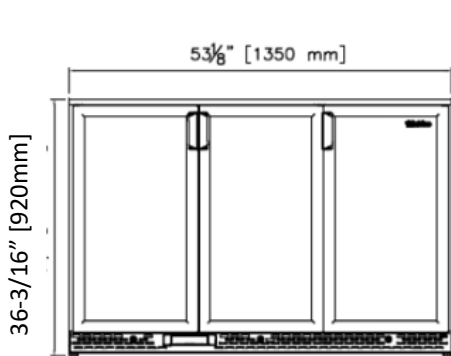
**MODEL: IMD-ERV15IISD / IMD-ERV25IISD
IMD-ERV35IISD**

BACK BAR COOLERS: NARROW BACK BAR COOLERS SOLID DOOR STAINLESS STEEL

ELEVATION

RIGHT VIEW

PLANT VIEW



IMD-ERV35IISD

Review:01 Date: 06/07/2024 IMD-ERV15-25-35-IISD
Review:01 Date: 06/07/2024 IMD-ERV15-25-35-IISD

ETL LISTED TO UL471 STANDARD AND SANITATION CLASSIFIED TO NSF7 - WE RESERVE THE RIGHT TO CHANGE SPECIFICATIONS WITHOUT PRIOR NOTICE



INFRICO-North America Corporate División
11200NW 25th St ste 123, Sweetwater, FL, 33172
(305) 777 9599

www.infrico.us
sales@infrico.com