



MADE IN ITALY



MATRIDE1IL2 (MATRIX)

Standard Features

- Stainless Steel AISI 304 Frame and body
- No water connection needed
- Option to convert to Direct Water Connection on the field
- Touch Screen for Calibrating Intensity and RGB LED Color display
- Triple PID Thermostats, water Heater priority setting
- Steam brewing through steam wand with lever tap
- Water filter alarm and maintenance cycles
- Automatic Backflush program
- Automatic Daily on/off setting
- Pre-infusion is Programmable
- Automatic Safety Electric Resistance Cut-off in case Boiler runs dry
- Wooden Knob and Handle
- Programmable Doses (Volumetric Brewing)
- Hot water faucet
- Thermostatically Heated Group
- Included in the Box: (1) group cleaning brush, (1) wooden handle with 2 spouts, (1) filter 14 gr, (1) filter 7 gr, (1) plastic tamper, (1) blind filter



1-year parts and labor warranty (US Only)

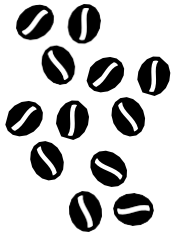
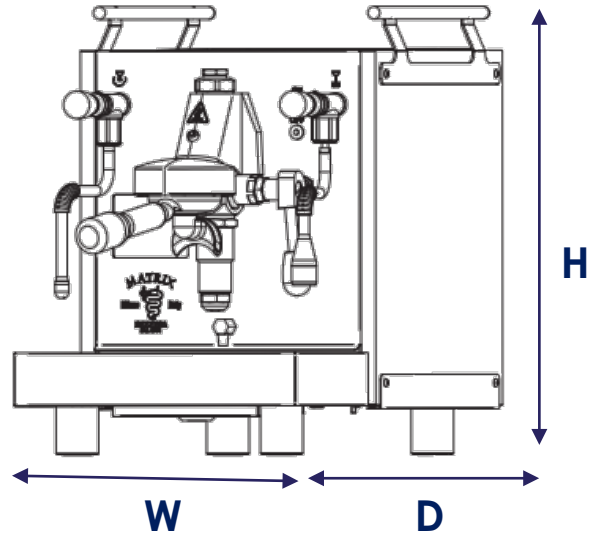
AUTOMATIC COFFEE MACHINES SEMI PROFESSIONAL

The Matrix DE provides a stunning unique espresso experience its light scattering side panels and rosewood accents.

The **touchscreen display** offers a deep level of functionality and control.

Temperature stability is ensured by its electrically heated group and **dual boilers**.

The power of a prosumer machine and the convenience of automatic brewing.



Different LED Color Display

Touchscreen Controls



SPECIFICATIONS	
MATRIDE11L2	
No. of Groups	1
Coffee Boiler	33.8 oz (0.45 L)
Service Boiler	15.2 oz (1 L)
Inlet Connection	G 1/8"
Power Supply	110V/50-60Hz/1ph
Amps	18
Plug / Connection	NEMA 5-15P
Product Dimensions WxDxH	12.2" x 18.5" x 16.5"
Product Weight (lbs)	71
Packed Unit Weight (lbs)	80
Packed Unit Dimensions WxDxH	21" x 16" x 24"



Notes:

- Routine Maintenance is required to ensure the best performance and equipment longevity.
- Operate at room temperature between 41° and 90°F (5° and 32°C)



Nema 5-15 125 VAC
2 Pole, 3 Wire
Grounding



(Field Convertible)
Direct Water
Connection

AMPTO is continuously improving products. Specifications are subject to change without notice.

COFFEE ACCESSORIES



BEZZERA

MACCHINE PER CAFFÈ ESPRESSO DAL 1901

MADE IN ITALY



7991202
Bezzera Adjustable Needle Distribution Tool



5963289AR
Coffee Tamper with Red Knob



7990609
ESPRESSO CUP
Bezzera Since 1901
Set of 6 with plate



7991201
Bezzera Coffee Leveler



CF0480CS2
Base with 2 Drawers
For BZ09, BZ10, and OTTO Series



5963175
Station Blind Filter and Coffee Tamper with wooden knob



RBEZ5005
Bottomless filter-holder, traditional handle
For BZ09, BZ10



RBEZ3207
Capsule Filter Holder
Lavazza Espresso
For B2016 & OTTO



RBEZ151
Capsule Adapter
Filter E61
Lavazza Espresso
For BZ09, BZ10



5963154
Wooden Box with BZ Filter Holder, (2) Cups, and (2) Wooden Knobs
For BZ09 & BZ10



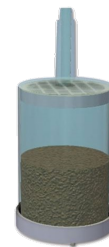
5963153
Wooden Box with (1) E61 Filter Holder, (2) Cups, and (3) Wooden Knobs
For OTTO Series

FILTRATION



5900501
Water Softener Kit
8 Lt & Flexible Pipe
For 1 & 2 Group Machines

5900502
For 3 Group Machines



7374012.01
Water Softener
For open Tank Models

AMPTO is continuously improving products. Specifications are subject to change without notice.