



# JET AIR OVEN PROOFER



Jet Air Oven/Proofer Combination, Electric, Capacity (12) 18"x26" Pans, Side Loading, Steam Injection, Reversing Fan System, Digital Temperature Control and Timer, (18) Pan Proofer with Auto Water Fill, Glass Doors, Stainless Steel Construction, Casters, cETLus, NSF



PROJECT \_\_\_\_\_

ITEM NO. \_\_\_\_\_

NOTES \_\_\_\_\_

MODEL NUMBER: **JAOP12SL**



**FEATURES**

- Advanced Programmable Controls
- 99 Programmable Recipes
- 8 Stage Baking
- Digital Temperature Control up to 500°F (260°C)
- Fast Preheat (reaches temperature in 15 minutes)
- Digital Timer
- Jet Air Reversing Fan System with Variable Air Speeds & Fan Delay (some pan rotation required)
- Door Switch Cutoff for Fan Blower
- Shot & Pulse Steam Capabilities
- Available in Energy Efficient Gas or Electric
- USB Port for Uploading & Downloading Recipe
- Manual Controls for Proofer (separate heat & humidity)

**CONSTRUCTION**

- Stainless Steel Construction
- Full View Heat Reflective Thermal Glass Doors with Magnetic Latches
- Brightly Lit Interior
- Fully Insulated and Completely Sealed
- 4 Swivel Casters (2 locking)

**CLEARANCES**

Minimum Clearance from Combustible Materials:

- 1" (25mm) Sides & Back
- 4" (102mm) on Non-Combustible Floor
- 12" (305mm) Top

**OPTIONS & ACCESSORIES**

- Water Filter (PLF240) [Recommended]
- High Temperature Gasket (HTG001) [Recommended for Temperatures above 400°F/205°C]
- Humidified Warmer/Proofer (temp. up to 180°F) (HW001)
- Perforated Nickel Plated Pizza Decks (GRPIZ3)

**WARRANTY**

- One Year Labor & Two Year Parts



Model	Crated Weight	Overall Dimensions			Interior Dimensions						Pan Capacity (18"x26")		Shelf Spacing	
					Oven			Proofer						
		W	D	H	W	D	H	W	D	H	Oven	Proof-	Oven	Proofer
JAOP12SL	1500 (681)	71 3/4" (1822)	37 5/8" (956)	73" (1854)	26 3/4" (679)	19 1/2" (495)	26 1/4" (667)	26 1/2" (673)	31" (787)	55 1/2" (1410)	12	18	3 1/2" (89)	3" (76)

SPECIFICATIONS SUBJECT TO CHANGE WITHOUT NOTICE

KCL & REVIT DRAWINGS UPON REQUEST

REVISION A | 5/12/2021

Follow Us



Doyon

5600 13th Street, Menominee, MI 49858

906.863.4401 | 800.338.9886 | www.doyon.qc.ca





PROJECT \_\_\_\_\_

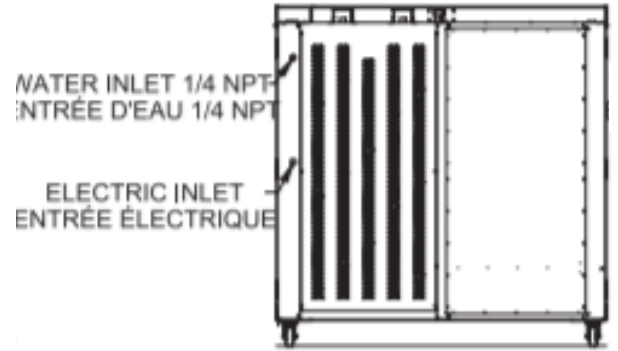
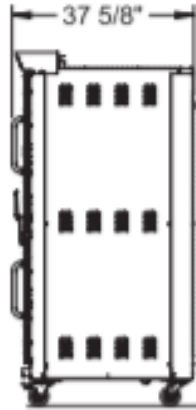
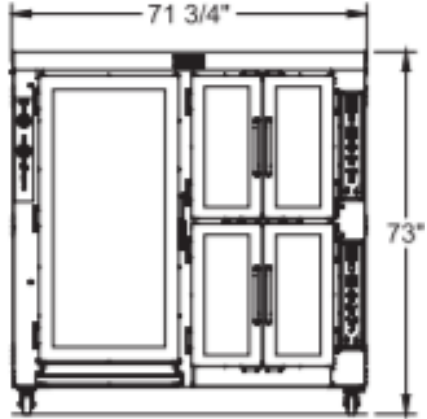
ITEM NO. \_\_\_\_\_

NOTES \_\_\_\_\_

MODEL NUMBER: **JAOP12SL**

**DRAWINGS**

**JAOP2SL**



Model	Water Inlet	Gas System			Electrical System *ground wire not included					
		BTU	D.H	G.I	Volts	Phases	Amps	kW	Wires*	Hz
JAOP12SL	1/4" (6)	-	-	-	208	1/3	117/73	24.6	2/3	60
					240		104/65			

Due to periodic changes in designs, methods, procedures, policies and regulations, the specifications contained in this sheet are subject to change without notice. While Doyon exercises good faith efforts to provide information that is accurate, we are not responsible for errors or omissions in information provided or conclusions reached as a result of using these specifications. By using the information provided, the user assumes all risks in connection with such use.

