



REFRIGERATION

SERVING THE FOOD INDUSTRY SINCE 1951

## 23 CU.FT. REACH IN FREEZER WITH 1 DOOR

Item: 50023 | Model: FR-CN-0737-HC



*High Performance and Quality  
Commercial Reach In Freezer*



**WARRANTY**  
2 YEARS PARTS & LABOR  
5 YEARS ONLY ON COMPRESSOR



NEMA  
5 - 15R  
125 VAC / 15 AMP  
RECEPTACLE



Authorized Dealer

# REFRIGERATION

23 CU.FT. REACH-IN FREEZER WITH 1 DOOR

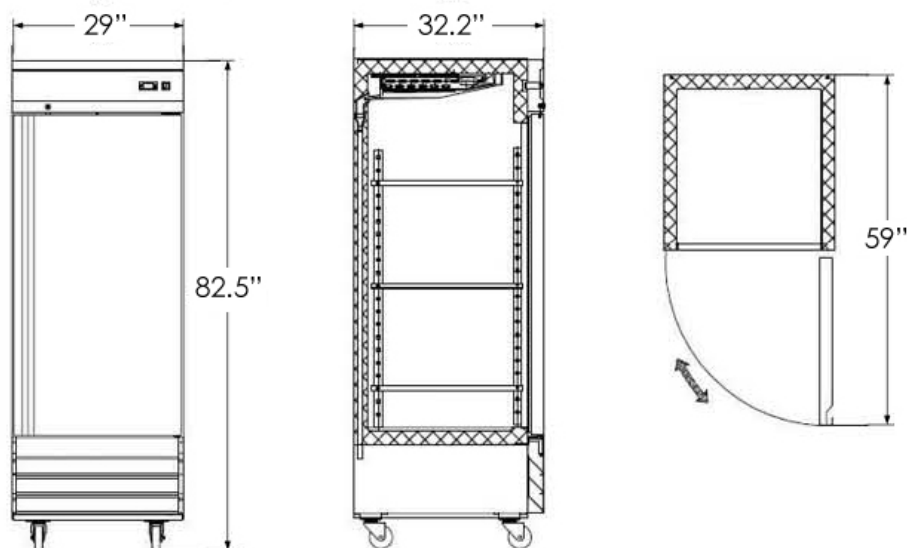


## TECHNICAL SPECIFICATIONS



ITEM NUMBER	50023
MODEL	FR-CN-0737-HC
DESCRIPTION	23 cu. ft. Reach-In Freezer
TEMPERATURE RANGE	-8°F - 0°F / -22°C - -18°C
MAX AMBIENT TEMP RATING	90°F / 32°C
HORSEPOWER	1/2+ HP
ELECTRICAL	110V / 60Hz / 1Ph
AMPS	7.1
REFRIGERANT	R290
ISOLATION MATERIAL	Cyclopentane
COOLING SYSTEM	Ventilated
NUMBER OF DOORS	1
NUMBER OF SHELVES	3
SHELF CAPACITY	27 kg. / 59.5 lbs.
EXTERIOR DIMENSIONS (WDH)	29" x 32 1/4" x 82 1/2" / 736 x 818 x 2095 mm
INTERIOR DIMENSIONS (WDH)	24.4" x 27" x 60.2" / 620 x 688 x 1530 mm
PACKAGING DIMENSIONS	30 3/8" x 35" x 83 4/8" / 770 x 890 x 2120 mm
NET VOLUME	23 cu. ft. / 650 L
WEIGHT	128 kg. / 282 lbs.
PACKAGING WEIGHT	153 kg. / 337 lbs.

## TECHNICAL DRAWINGS AND DIMENSIONS



## OMCAN INC.

Telephone: 1-800-465-0234

Fax: (905) 607-0234

Email: [sales@omcan.com](mailto:sales@omcan.com)

Website: [www.omcan.com](http://www.omcan.com)



Follow us to keep up to date with the latest news and offers



2017.E&OE