

**Refrigeration Equipment
1-Hinged Glass Door Full Height
Merchandiser Refrigerator 25" Long**

ITEM # _____

MODEL # _____

NAME # _____

SIS # _____

AIA # _____



738247 (KCHGM12R)

1-Hinged Glass Door Full
Height Merchandiser
Refrigerator 25" Long

Short Form Specification

Item No. _____

1-glass door refrigerator with exterior back panel, bottom panel, and top panel in galvanized steel, exterior side panels in painted steel; interior back, side, and top panels in painted aluminum, and internal bottom panel in 304 stainless steel. Durable and easy to clean for daily commercial use. Control with cabinet temperature display. Self-closing door feature lock and key. Electronic control. R290 gas in refrigeration circuit. ETL Safety and Sanitation certified. 3/5 Years warranty.

Main Features

- External temperature display.
- Removable gasket for easy cleaning operations.
- Fin & Tube Condenser improves performance in high temperature environments.
- Automatic Defrost Cooling System provides worry-free performance.
- Heavy duty Vinyl coated steel shelves.
- Cabinet completely insulated with high density polyurethane for low environmental impact.

Construction

- Lockable door.
- Electronic control to select temperatures.
- Pre-wired heavy duty power cord.
- Heavy duty door hinges.
- Magnetic gasket removable without tools for easy cleaning.

Sustainability

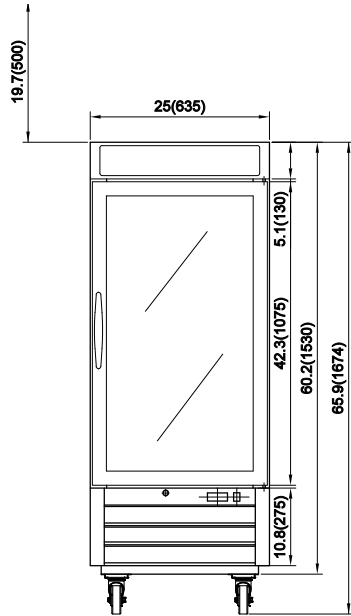
- CFC and HCFC free, highly ecological refrigerant type: R290 (ecological gas in foam: cyclopentane). Hydrocarbon refrigerant gas R290 for the lowest environmental impact (GWP=3), to reduce green house and ozone depletion effects.
- Hydrocarbon refrigerant gas R290 for the lowest environmental impact (GWP=3) - CFC and HCFC free.
- High efficiency components to minimize the energy consumption still guaranteeing the highest performances.
- Interior LED light to save energy and for best internal visibility.

Optional Accessories

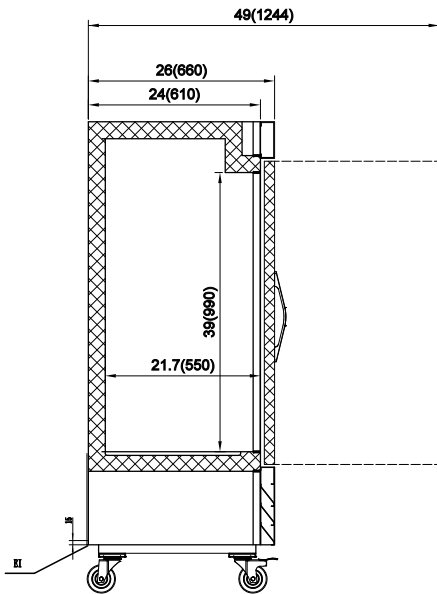
- Shelf clips (4-pack) PNC 880611
- Shelf for 12" Merchandiser (Glass Door) PNC 880619

APPROVAL: _____

Front

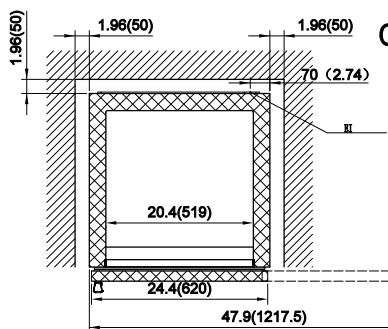


Side



EI = Electrical connection

Top



Electric

Supply voltage:

738247 (KCHGM12R) 115 V/1 ph/60 Hz

Electrical power, max:

0.31 kW

Plug type:

USA NEMA 5-15P

Capacity:

Gross capacity: 12 cu.feet

Number and type of grids (included):

3 - 458x503

Key Information:

Door hinges:	Right Side
External dimensions, Width:	25 " (635 mm)
External dimensions, Depth:	26 " (660 mm)
External dimensions, Height:	65 15/16" (1674 mm)
Number and type of doors:	1 Glass
Internal Dimensions (depth):	21 11/16" / (551.18 mm)
Internal Dimensions (height):	39 " / (990.6 mm)
Internal Dimensions (width):	20 3/8" / (518.16 mm)
Shipping height:	68 11/16" (1745 mm)
Shipping weight:	247 lbs (112 kg)
Shipping volume:	30.57 ft ³ (0.87 m ³)
Type of external material:	Black Prepainted Steel
Type of internal material:	White Prepainted Aluminium
Warranty:	3 / 5 years
Approvals	ETL C&US;ETL SANITATION

Refrigeration Data

Compressor power:	1/5 hp
Operating temperature min.:	32 °F
Operating temperature max.:	41 °F
Condenser type:	Fin & tube
Defrost type:	Auto Defrost

Sustainability

Current consumption:	3 Amps
Refrigerant type:	R290
GWP Index:	3
Refrigerant weight:	85 g



Refrigeration Equipment
1-Hinged Glass Door Full Height Merchandiser Refrigerator 25" Long

The company reserves the right to make modifications to the products without prior notice. All information correct at time of printing.