



# BEVERAGE-AIR

Project: _____	AIA#
Item: _____	
Location: _____	SIS#
Approved: _____	

MMRF72HC GLASS DOOR MERCHANDISER SERIES- DUAL-TEMP

## MARKETMAX DUAL-TEMP REFRIGERATOR/FREEZER

MODEL:  
MMRF72HC-1-C-BW

MMRF72HC Black Hinged Triple Glass Door  
Hydrocarbon Series



**7 Year Parts/Labor Warranty**  
**7 Year Compressor Warranty**

### CABINET CONSTRUCTION

- Exterior features durable black painted steel
- Heavy duty interior construction includes white coated steel walls
- Brightly lit sign panel
- LED lighting
- Modern one-piece grille
- Full electronic control with digital display
- Dual-temp refrigerator/freezer units provide two different operating temperature zones for different types of products
- Left: refrigerator double section has double pane lowE glass doors
- Right: freezer single section has triple pane lowE glass door
- Self-closing doors with 120° stay-open feature
- Snap-in gaskets, easy to remove for cleaning or replacement
- Self-contained bottom mount refrigeration system
- Fifteen (15) heavy-duty epoxy coated wire shelves
- Four (4) shelf clips included per shelf
- Leveling feet standard

### OPTIONS & ACCESSORIES

- Stainless steel or white exterior option
- Stainless steel or black interior option
- Shelves black or white
- Stainless steel clips
- Flow track
- Gravity-Flo track
- Price tag molding
- 3" or 6" Casters
- 6" Legs or seismic/flanged legs
- Door locks (swing doors only)
- Custom signage & decals
- Remote option\* (see note on back page)

### REFRIGERATION SYSTEM

- Uses environmentally friendly, energy efficient R290 refrigerant, and meets all regulatory requirements for CARB, SNAP, DOE & more
- Refrigerator has non-electric defrost with hot gas condensate evaporation
- Freezer has electric defrost with hot gas condensate evaporation
- Epoxy coated evaporator coil
- Freezer maintains product temperature to -10°F
- Refrigerator maintains product temperatures between 36°F to 38°F



 Please verify qualifying units by visiting:  
[www.energystar.gov/cfs](http://www.energystar.gov/cfs)

3779 Champion Blvd., Winston-Salem, NC 27105  
1-888-845-9800 Fax: 1-336-245-6453  
Beverage-Air.com Sales@bevair.com



# BEVERAGE-AIR

MODEL	MMRF72HC-1-C-BW
<b>EXTERNAL DIMENSIONAL DATA</b>	
Width Overall	75"
Depth Overall (with handle)	33 1/2"
Height Overall	78 1/8"
Number of Doors	3
Depth with Door Open 90°	55 1/8"
Door Openings (in)	21 7/8" x 52 3/4"
<b>INTERNAL DIMENSIONAL DATA</b>	
NET Capacity Refrigerator (cubic ft.)	(F) 44.85 (R) 19.62
Internal Width Overall (in)	(R) 47" (F) 22"
Internal Depth Overall (in)	28 1/2"
Internal Height Top Usable (in)	55"
Number of Shelves	15
<b>ELECTRICAL DATA</b>	
Full Load Amperes Refrigerator	(R) 3.9 (F) 6.34
<b>REFRIGERATION DATA</b>	
Horsepower	(R) 1/3 (F) 3/4
Capacity (BTU/Hr)	(R) 2291 (F) 2097
Heat Rejection (BTU/Hr)	6582
Charge (lbs/grams/ounces)	(R) .2425 / 110 / 3.88 (F) .2094 / 95 / 3.35
<b>SHIPPING DATA</b>	
Gross Weight - Crated	842 lbs
Height - Crated	85"
Width - Crated	77"
Depth - Crated	36"

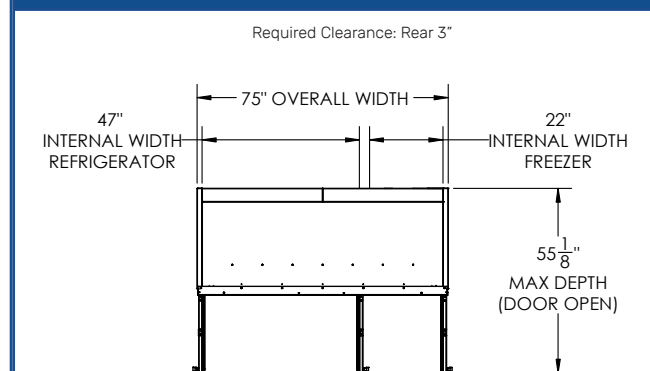
\*NOTE: Remote units are field wired and come with 6" legs.  
Refrigerant must be specified at time of order.

We reserve the right to change specifications and product design without notice. Such revisions do not entitle the buyer to corresponding changes, improvements, additions or replacements for previously purchased equipment. Dimensional tolerances +/- 1/4". Metric dimensions (MM).

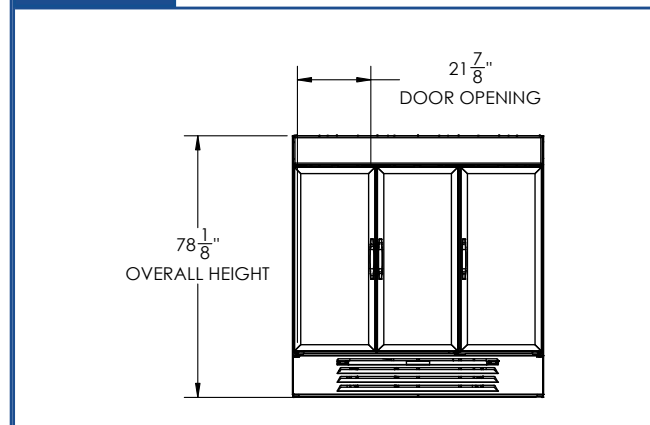
## Dual-Temp Glass Door Merchandisers

Model: MMRF72HC-1-C-BW

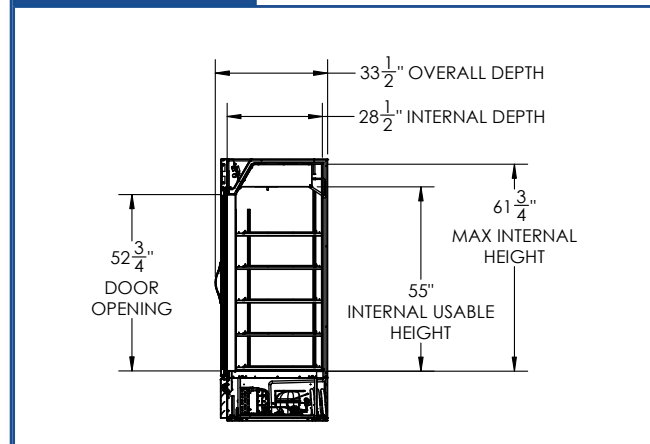
### Model Views



### PLAN VIEW



### ELEVATION VIEW



### SIDE VIEW

### ELECTRICAL CONNECTION



115/60/1  
(2) NEMA 5-15P

Unit pre-wired at factory and include 8' long cord and plug set.

