



NORDIC CCU0300 SERIES

UNDER COUNTER CUBED ICE MAKER



Protected by Agion



FEATURES

High-yield – Produces up to 356 lbs. (162 Kgs.) of ice/day

Storage – 130 lbs. (59 Kgs.) built-in application storage

Antimicrobial – Built-in Agion Antimicrobial product protection effective against mold, mildew, and fungus

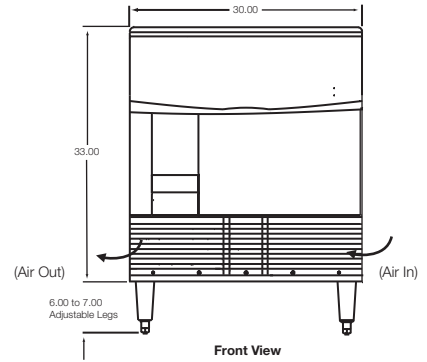
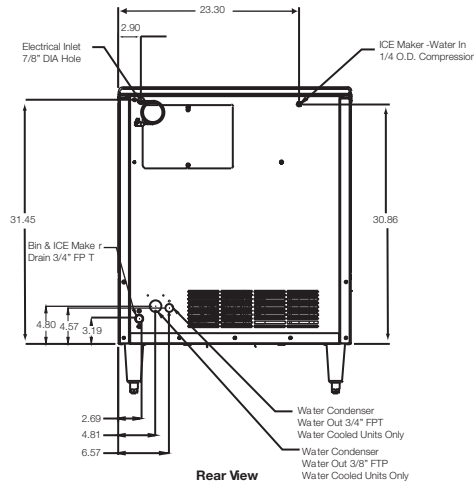
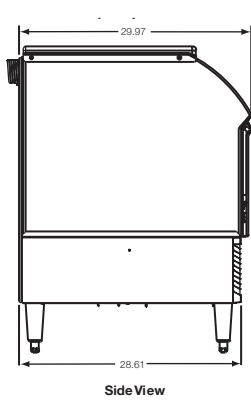
Small footprint – Ultra low-profile - only 39" (991 mm) tall and 30" (752 mm) wide

Durable – Rotomolded exterior cladding

Easy access – Large bin door opening

Customizable – Adjustable leg height

(Dimensions Are In Inches)



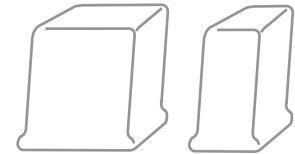
MODEL NO.	Cond. Unit	Ice Prod. per 24 hrs. at 70° Air / 50° Water lbs. (Kgs.)	Ice Prod. per 24 hrs. at 90° Air / 70° Water lbs. (Kgs.)	Water Used-Gals. (Ltrs.) per 100 lbs. of ice 90° Air / 70° Water		Kilowatts Used per 100 lbs. of ice 90° Air / 70° Water	Heat Rejection (Btuh)	Electrical Rating	Min. Circuit Amp.
				Ice Prod. Use	Cond. Use				
CCU0300A*11	Air	309 (140)	228 (104)	32.9 (124)	n/a	8.6	5928	115/60/1	13.1

* Represents cube size. For full cube substitute an "F", for half cube substitute an "H".
Please note: air-cooled units require 6" (152 mm) front clearance for air intake and exhaust.

1. 90° / 70° figures are rated in accordance with ARI Standard 810.
2. All specifications and performance data are subject to normal manufacturing variances.
3. Application bin storage is 130 lbs. (59 Kgs.) = 90% of Internal Volume x 34 lbs. Per Cubic Foot
4. ARI bin storage is 112 lbs. (51 Kgs.) = 80% of Internal Volume x 30 lbs. Per Cubic Foot

OPERATING LIMITS

Ambient Temp. Range Air & Water	50° - 110°F (10° - 43°C)
Water Temp. Range	40° - 110°F (4.4° - 43°C)
Water Pressure Ice Maker Water in	Min. 20 psi (1.4 bar)
	Max. 60 psi (4.1 bar)
Condenser Inlet Water (Water cooled only)	Min. 20 psi (1.4 bar)
	Max. 60 psi (4.1 bar)



Cube Size:	Width	Depth	Height
Full	7/8" (22mm)	7/8" (22mm)	7/8" (22mm)
Half	3/8" (10mm)	7/8" (22mm)	7/8" (22mm)

TECHNICAL SPECIFICATIONS

NUMBER OF WIRES 3
 MAX. FUSE SIZE 15
 SHIPPING WEIGHT LBS (KGS.) . . 205 (93)

AGENCY LISTINGS LISTED

