

- Improve the flow and function of your space by having frozen items where you need them most
- Solid door models
- Push carts directly into unit
- LED lighting



UCFZ633-SS31A



UCFZ666-SS71A

Model	Description	Voltage/Hz/Amps	Shipping Weight
UCFZ633-SS31A	Roll-in Freezer with Single Solid Door	115v / 60hz / 9.6	452 lb
UCFZ666-SS71A	Roll-in Freezer with Double Solid Door	115v / 60hz / 19.2	639 lb

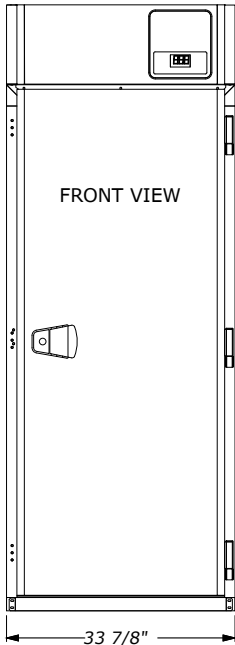
### Specifications

UCFZ633-SS31A dimensions: 89 3/4" H x 33 7/8" W x 46 1/2" D
UCFZ666-SS71A dimensions: 89 3/4" H x 66 7/8" W x 46 1/2" D
UCFZ633-SS31A: Environmentally friendly R290 refrigerant - 4.2 oz
UCFZ666-SS71A: Environmentally friendly R290 refrigerant - 8.2 oz
UCFZ633-SS31A: Factory pre-wired for dedicated outlet, 11 ft cord and plug included NEMA 5-15P
UCFZ666-SS71A: Factory pre-wired for dedicated outlet, 11 ft cord and plug included NEMA 5-20P
UCFZ633-SS31A volume: 35.8 cu ft
UCFZ666-SS71A volume: 79 cu ft
AISI 304 stainless steel interior and exterior with lock
Autodefrost
CFC-free high density polyurethane insulated cabinet
Electronic digital temperature control with alarms
Epoxy coated, sealed evaporator eliminates potential of corrosion
Fixed stainless steel loading ramp
High efficiency compressor, top mount
High efficiency evaporator coil & condenser
NSF/ANSI Standard 7 compliant
Temperature range: -13°F to 14°F

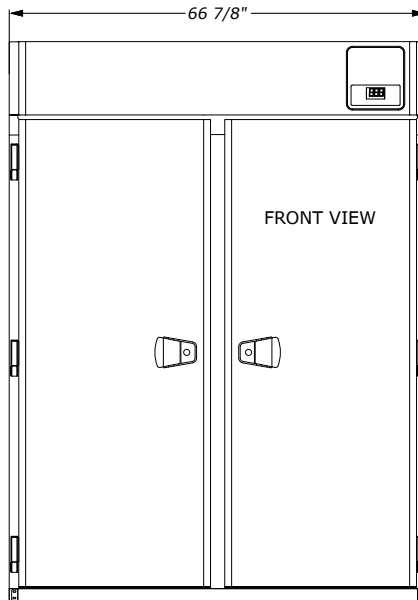


**Product Specifications • Roll-In Freezers**

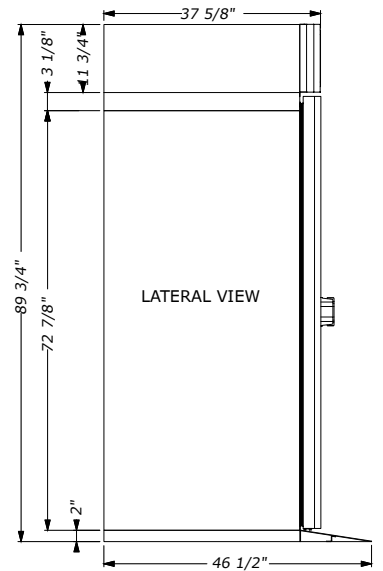
**Front UCFZ633 (Open)**



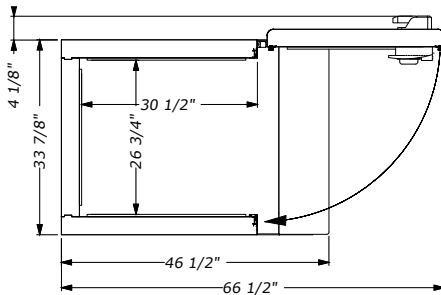
**Front UCFZ666 (Open)**



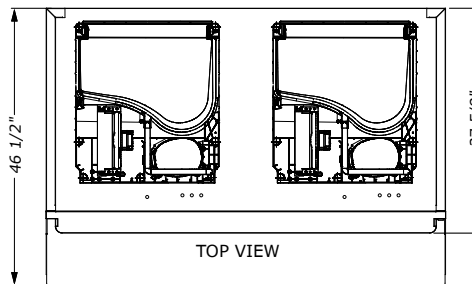
**Side UCFZ633/666**



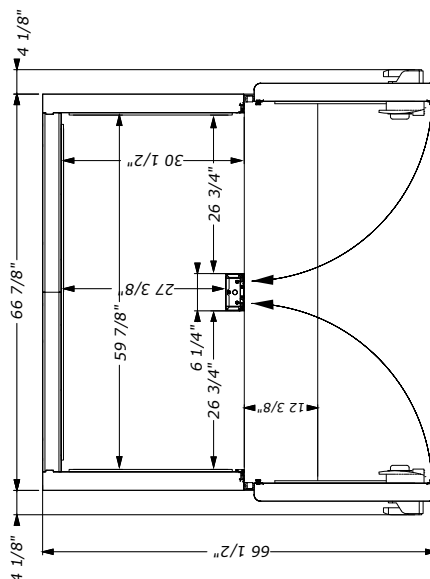
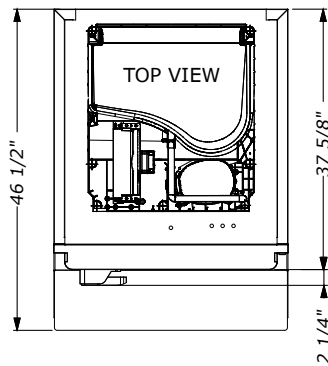
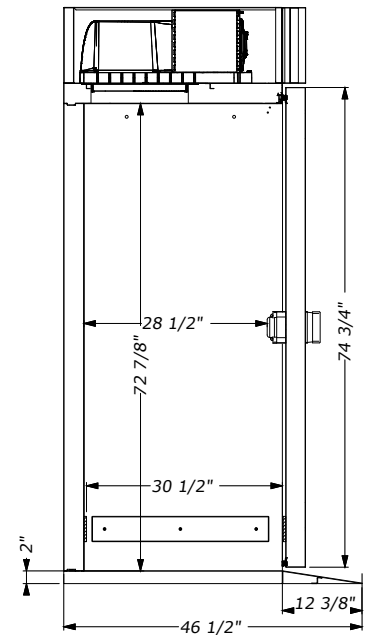
**Top UCFZ633**



**Top UCFZ666**



**Back UCFZ633/666**



**Commercial Warranty**

3 Year (parts & labor) / 5 year sealed system (parts)

See complete warranty for details

