



# BEVERAGE-AIR

Project: _____	AIA#
Item: _____	
Location: _____	SIS#
Approved: _____	

**SPED27HC SANDWICH PREP: MEGA TOP**

## FOOD PREPARATION TABLES

### SPED27HC Sandwich Prep Table Mega Top with Drawers Hydrocarbon Series

**MODEL:  
SPED27HC-12M**



**7 Year Parts/Labor Warranty  
7 Year Compressor Warranty**

#### CABINET CONSTRUCTION

- Stainless steel front, sides, top, drawers, and grille (galvanized steel back & bottom)
- Interior liner is made of corrosion resistant aluminum
- Removable hoods made of matching stainless steel
- Full electronic control
- Mega top
- Airflow assures that product in open containers is kept below 41°F and above freezing
- Snap-in magnetic gaskets for positive drawer seal
- Painted aluminum drawer handles
- 10" Wide cutting board constructed of white polyethylene plastic
- Cutting board removable for cleaning
- 6" Casters, with (2) brakes standard
- Stainless steel drawer frames supported on telescoping drawer slides
- Drawer slides include locking mechanism that prevents drawers from being inadvertently pulled off cabinet
- Pans furnished are 4" deep constructed of polycarbonate plastic
- Nine (9) 1/6 4" deep pans constructed of polycarbonate plastic
- Three (3) 1/9 4" deep pans constructed of polycarbonate plastic

#### OPTIONS & ACCESSORIES

- Stainless steel back
- Stainless steel interior
- Clear lid
- Overshelves (single or double)
- Crumb catcher kit
- Richlite cutting board
- Night cover
- Bottle organizer
- Pan supports
- Pan support crossbar
- 6" Legs or 3" casters
- Low profile casters
- Remote option\* (see note on back page)

#### REFRIGERATION SYSTEM

- Uses environmentally friendly, energy efficient R290 refrigerant, and meets all regulatory requirements for CARB, SNAP, DOE & more
- Adaptive defrost
- Epoxy coated evaporator coil
- Enhanced airflow maintains temperatures between 36° - 38°F



Please verify qualifying units by visiting:  
[www.energystar.gov/cfs](http://www.energystar.gov/cfs)



3779 Champion Blvd., Winston-Salem, NC 27105  
1-888-845-9800 Fax: 1-336-245-6453  
Beverage-Air.com Sales@bevair.com

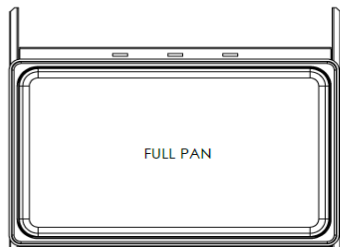


# BEVERAGE-AIR

MODEL	SPED27HC-12M
<b>EXTERNAL DIMENSIONAL DATA</b>	
Width Overall	27"
Depth Overall	38 <sup>3</sup> / <sub>8</sub> "
Height Overall with Casters	48 <sup>3</sup> / <sub>4</sub> "
No. of Drawers	2
Depth with Drawers Open 90°	47 <sup>3</sup> / <sub>4</sub> "
Drawers Openings	22 <sup>5</sup> / <sub>8</sub> " x 11 <sup>3</sup> / <sub>8</sub> " 22 <sup>5</sup> / <sub>8</sub> " x 7 <sup>1</sup> / <sub>2</sub> "
Width, Cutting Board	10"
<b>INTERNAL DIMENSIONAL DATA</b>	
NET Capacity (cubic ft.)	6.76
Internal Width Overall (in)	23"
Internal Depth Overall (in)	15 <sup>1</sup> / <sub>2</sub> "
Internal Height Overall (in)	23"
No. of Pans	12
<b>ELECTRICAL DATA</b>	
Full Load Amperes	2.0
<b>REFRIGERATION DATA</b>	
Horsepower	1/10
Capacity (BTU/Hr)	1110
Heat Rejection (BTU/Hr)	1665
Charge (lbs/grams/ounces)	0.1102 / 50 / 1.76
<b>SHIPPING DATA</b>	
Gross Weight - Crated	250 lbs
Height - Crated	46"
Width - Crated	30"
Depth - Crated	33"

\*NOTE: Remote units are field wired and come with 6" legs. Refrigerant must be specified at time of order.

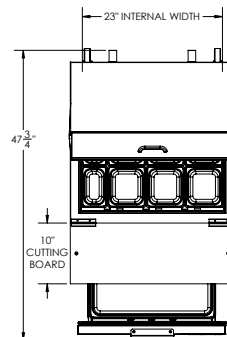
We reserve the right to change specifications and product design without notice. Such revisions do not entitle the buyer to corresponding changes, improvements, additions or replacements for previously purchased equipment. Dimensional tolerances +/- 1/4". Metric dimensions (MM).



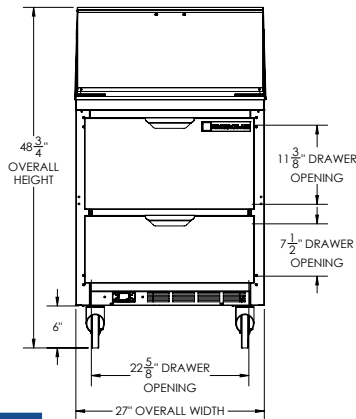
## Food Preparation Table: Mega Top with Drawers Model: SPED27HC-12M

### Model Views

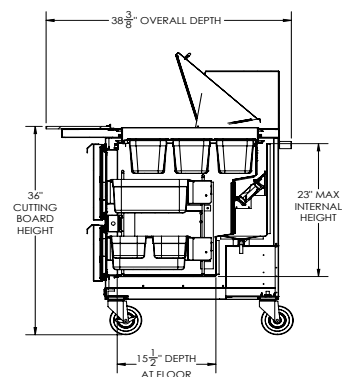
Required Clearance: 3" bottom & 2" rear



### PLAN VIEW



### ELEVATION VIEW



### SIDE VIEW



### ELECTRICAL CONNECTION

115/60/1  
NEMA 5-15P

Unit pre-wired at factory and include 8' long cord and plug set.