

Cooking accessories

Cupboard base with tray support 6 and 10GN 1/1&2/1 for Ovens

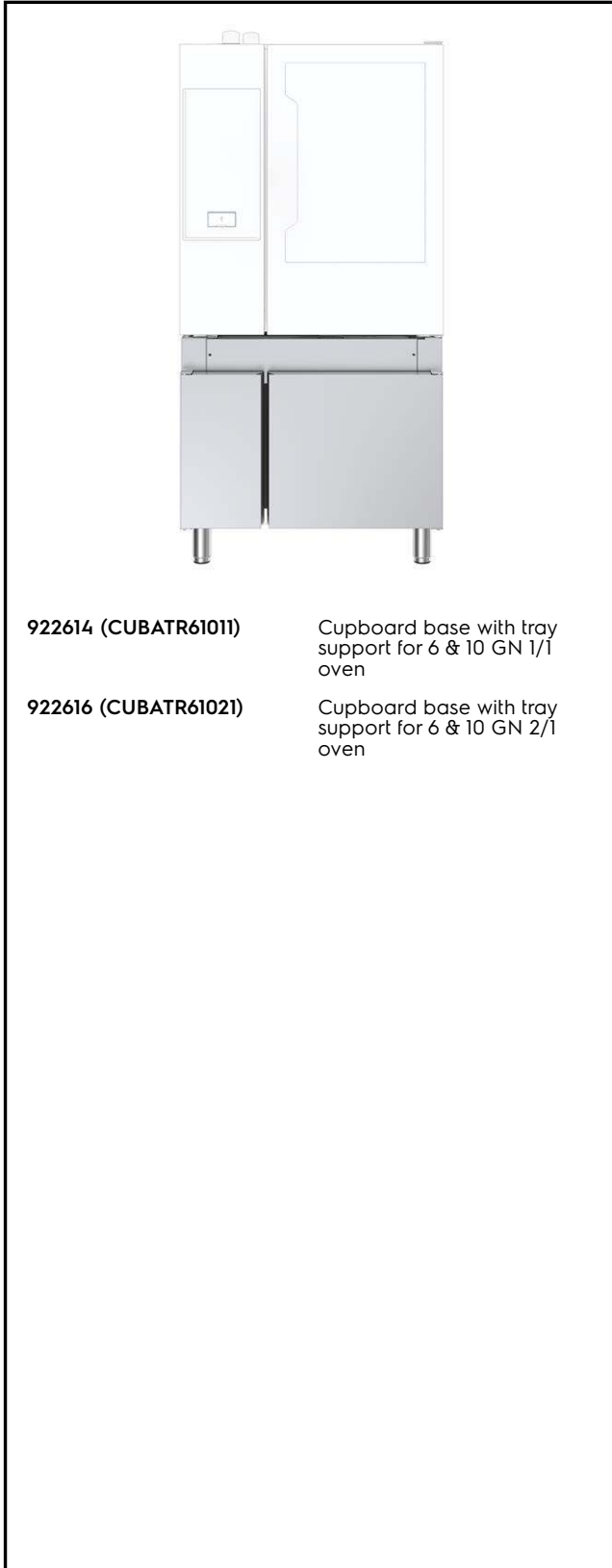
ITEM # _____

MODEL # _____

NAME # _____

SIS # _____

AIA # _____


922614 (CUBATR61011)

Cupboard base with tray support for 6 & 10 GN 1/1 oven

922616 (CUBATR61021)

Cupboard base with tray support for 6 & 10 GN 2/1 oven

Main Features

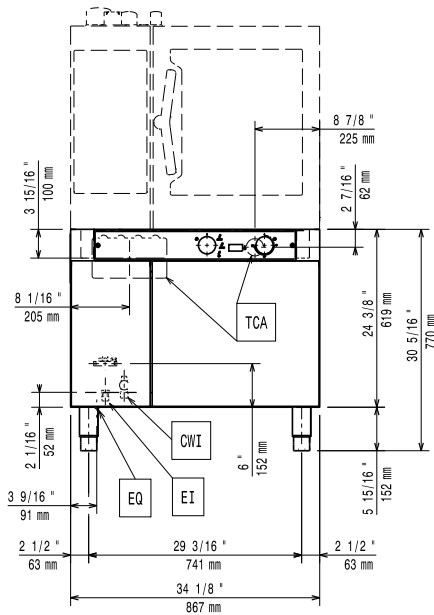
- Pre-arranged for an easy installation of the ovens (no need to remove feet).
- Supplied with 1 tray support as standard, with the possibility to add a second one.
- The bottom of the base features holes for assembling.

Optional Accessories

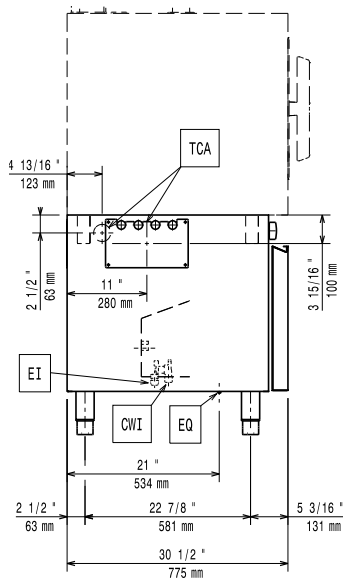
- Tray support for 6 & 10 GN 1/1 open base (only for 922614) PNC 922690
- Bakery/pastry runners 400x600mm for 6 & 10 GN 1/1 oven base (only for 922614) PNC 922702

APPROVAL: _____

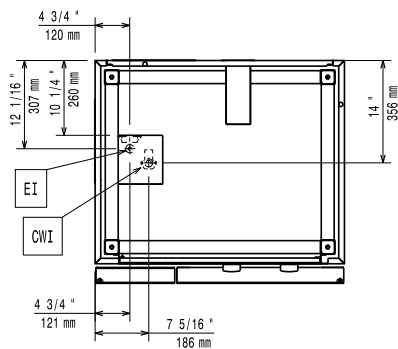
Front



Side



Top



Key Information:

External dimensions, Width:

922614 (CUBATR61011)	775 mm
922616 (CUBATR61021)	1090 mm

External dimensions, Height:

922614 (CUBATR61011)	764 mm
----------------------	--------

External dimensions, Depth:

922614 (CUBATR61011)	867 mm
922616 (CUBATR61021)	971 mm

Net weight:

922614 (CUBATR61011)	68.5 kg
922616 (CUBATR61021)	80 kg