



Electrolux

Food Processor K120-Vertical Cutter-Mixer 3gal (12.2qt), 2 speed-s/s bowl

ITEM # _____
 MODEL # _____
 NAME # _____
 SIS # _____
 AIA # _____



Food Processor

K120-Vertical Cutter-Mixer 3gal (12.2qt), 2 speed-s/s bowl

600085 (K120S2U)

K120FU S/S CUTTER-MIXER 12.2QT

Short Form Specification

Item No. _____

K120FU-Vertical Cutter/Mixer, bench-style, two speed, 12.2 quart bowl capacity, removable bowl design, stainless steel bowl with clear BPA-free lid, metal housing, 1260 or 2480 rpm, 3 HP, 208-240v/60/3, 15.0 amps

Main Features

- Cutter mixer allows fast liquidizing, mixing, mincing, chopping and pastry-making.
- Lid with opening to add ingredients in mid-cycle.
- Base fixed cover for a better handling.
- Pulse function to coarse chopping.
- Productivity suitable for 100-200 meals per service.
- Delivered with:
 - 3gal (12.2qt or 11.5lt) stainless steel bowl with max liquid level indication to avoid spillage
 - micro toothed perforated blade
 - scraper
- Angled perforated knives and conical base of the bowl ensure consistent mixing.
- Cover metal frame to ensure seal water tightness to avoid leakage.
- All parts in contact with food are removable without tools and dishwasher safe.

Construction

- 2 speeds: 1500 and 3000 rpm.
- Power: 2200 watts.
- IP65 touch button control panel.
- Transparent polycarbonate cover incorporates a magnetic contact safety system.
- 304 AISI stainless steel bowl with leak resistant spout and handles, easy to manage.
- Scraper with Stainless Steel handle, easy to dismount.
- Cover handle with double safety locking system.
- For user safety, user is required to press the start button to restart the machine after a power cut off.
- Asynchronous silent industrial motor for heavy duty and longer life.

Included Accessories

- 1 of Scraper for K120S and KE120S cutter mixer PNC 650059
- 1 of Microtoothed blade rotor for 11,5 lt cutter mixer PNC 650060
- 1 of Bowl, 12.2 quart, for cutter/mixer, stainless steel PNC 650073

Optional Accessories

- Scraper for K120S and KE120S cutter mixer PNC 650059
- Microtoothed blade rotor for 11,5 lt cutter mixer PNC 650060
- Bowl, 12.2 quart, for cutter/mixer, stainless steel PNC 650073
- Mobile stand, stainless steel PNC 653017
- Blade rotor, smooth, for 12.2 quart cutter/mixer PNC 653179



APPROVAL: _____

Electrolux Professional, Inc.

www.electroluxusa.com/professional

10200 David Taylor Drive, Charlotte, NC 28262 • Telephone Number: 866-449-4200 • Fax Number: 704-547-7401



Electrolux

K120-Vertical Cutter-Mixer 3gal (12.2qt), 2 speed-s/s bowl Food Processor



Electrolux

**Food Processor
K120-Vertical Cutter-Mixer 3gal
(12.2qt), 2 speed-s/s bowl**

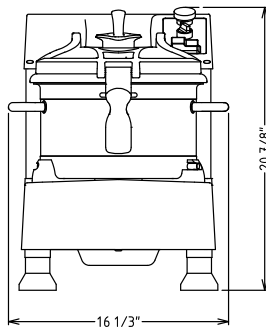
- Blade rotor, serrated, for 12.2 quart cutter/mixer PNC 653299
□
- Serrated blade rotor for meat for 11,5 lt cutter mixer PNC 653538
□



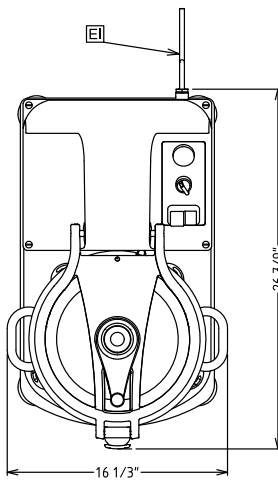
Electrolux

Food Processor K120-Vertical Cutter-Mixer 3gal (12.2qt), 2 speed-s/s bowl

Front

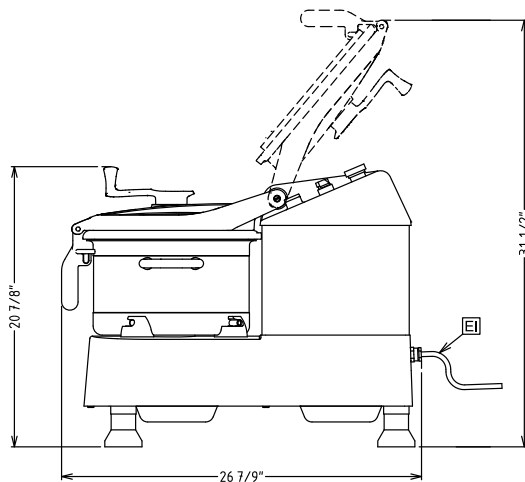


Top



EI = Electrical connection

Side



Electric

Supply voltage:

600085 (K120S2U) 208-240 V/3 ph/60 Hz

Electrical power, max: 2.2 kW

Total Watts: 2.2 kW

Key Information:

External dimensions, Width: 16 3/8" (416 mm)

External dimensions, Depth: 26 3/4" (680 mm)

External dimensions, Height: 20 3/8" (517 mm)

Shipping width: 21 5/8" (550 mm)

Shipping depth: 31 1/2" (800 mm)

Shipping height: 31 1/2" (800 mm)

Shipping weight: 165 lbs (75 kg)

Food Processor
K120-Vertical Cutter-Mixer 3gal (12.2qt), 2 speed-s/s bowl

The company reserves the right to make modifications to the products without prior notice. All information correct at time of printing.

2017.01.10