



Profit from the Eagle Advantage®

Specification Sheet

Short Form Specifications

Eagle Panco® Carrier Rack, aluminum model _____ . Constructed of 1" square tubular aluminum frame and supports, with each frame and cross support junction joined with a two piece aluminum gusset riveted to frame. 1 1/8" x 1 1/8" extruded aluminum tray slide with two raised beads to minimize friction. Rack shall accommodate (6 or 8) 20" x 20" racks. Furnished with 5"-diameter casters. Unit shipped knocked down.

Eagle Panco® Carrier Rack, stainless steel model _____ . Stainless steel construction with 1" square tubular frame and cross supports. 1 1/2" x 1 3/4" stainless steel tray slides with raised bead edge riveted to a 1" x 1" stainless steel tube. Rack shall accommodate (6 or 8) 20" x 20" racks. Furnished with 5"-diameter casters. Unit shipped assembled.



model #OUR-2006-9SR carrier rack

EAGLE GROUP

100 Industrial Boulevard, Clayton, DE 19938-8903 USA
Phone: 302-653-3000 • 800-441-8440 • Fax: 302-653-2065
www.eaglegrp.com
www.eaglegrpnews.com
www.eaglemh.com

For custom configuration or fabrication needs, contact our SpecFAB® Division.
Phone: 302-653-3000 • Fax: 302-653-2065 • e-mail: quotes@eaglegrp.com

Item No.: _____
Project No.: _____
S.I.S. No.: _____

Panco® Carrier Racks

MODELS:

- OUR-2006-9A
- OUR-2008-6A
- OUR-2006-9SR
- OUR-2008-6SR

Features on aluminum models

- Frame and supports: 1" (25mm) square aluminum tubing with .063" wall.
- Gussets: Each frame and cross support junction shall be joined with a two-piece die-stamped aluminum gusset, riveted to frame and cross supports.
- Tray slides: extruded aluminum angle 1 1/8" high x 1 1/8" wide x 0.068" thick (37 x 48 x 2mm). Bearing surface with two raised beads providing a minimum of friction. Slides are riveted to frame.
- Casters: 5" (127mm)-diameter NSF-approved, non-marking rubber tired wheels, on swivel stem plated casters.
- Shipped knocked down—factory assembly available.

Features on stainless steel models

- Frame and cross supports: 1" (25mm) square with 18 gauge wall stainless tubing, all-welded construction.
- Tray slides: 16 gauge stainless steel formed angle, 1 1/2" high x 1 3/4" lip (38 x 45mm) with a raised bead edge, riveted to 1" x 1" (25 x 25mm) stainless steel tube.
- Casters: 5" (127mm)-diameter NSF-approved, non-marking rubber tired wheels, on swivel stem plated casters.
- Shipped assembled.

Options / Accessories

- Casters with locking brakes
- Rotary donut bumpers
- Perimeter bumpers
- Vertical corner bumpers
- Pan stops



EG60.05 Rev. 01/23

Spec sheets available for viewing, printing or downloading from our online literature library at our websites

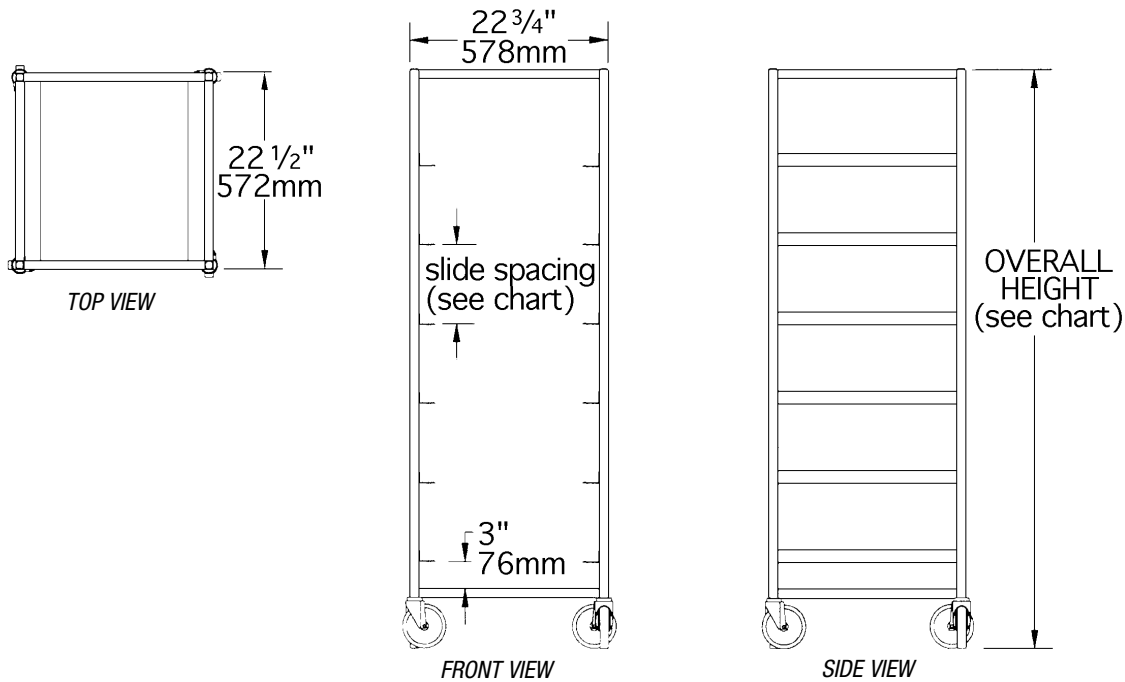
Eagle Foodservice Equipment, Eagle MHC, and SpecFAB® are divisions of Eagle Group. ©2023 by the Eagle Group



Profit from the Eagle Advantage®

Item No.: _____
 Project No.: _____
 S.I.S. No.: _____

Panco® Carrier Racks



Aluminum Carrier Racks

| model # | overall dimensions | | | | | | slide spacing | | rack capacity | weight | |
|--------------------|--------------------|-----|---------|-----|--------|------|---------------|-----|---------------|--------|------|
| | width | | depth | | height | | in. | mm | | lbs. | kg |
| OUR-2006-9A | 22 | 559 | 20 1/2" | 521 | 69" | 1753 | 10" | 254 | 6 | 44 | 20.0 |
| OUR-2008-6A | 22 3/4" | 578 | 20 1/2" | 521 | 65" | 1652 | 7" | 178 | 8 | 45 | 20.4 |

Stainless Steel Carrier Racks

| model # | overall dimensions | | | | | | slide spacing | | rack capacity | weight | |
|---------------------|--------------------|-----|---------|-----|---------|------|---------------|-----|---------------|--------|------|
| | width | | depth | | height | | in. | mm | | lbs. | kg |
| OUR-2006-9SR | 22 3/4" | 578 | 22 1/2" | 572 | 65 3/4" | 1670 | 9" | 229 | 6 | 102 | 46.3 |
| OUR-2008-6SR | 22 3/4" | 578 | 22 1/2" | 572 | 64 1/4" | 1629 | 6 1/2" | 165 | 8 | 102 | 46.3 |

EAGLE GROUP

100 Industrial Boulevard, Clayton, DE 19938-8903 USA

Phone: 302-653-3000 or 800-441-8440 • Fax: 302-653-2065

www.eaglegrp.com • www.eaglegrpnews.com • www.eaglehmc.com

Printed in U.S.A.
 ©2023 by Eagle Group

Rev. 01/23

Spec sheets available for viewing, printing or downloading from our online literature library at our websites

Although every attempt has been made to ensure the accuracy of the information provided, we cannot be held responsible for typographical or printing errors. Information and specifications are subject to change without notice. Please confirm at time of order.